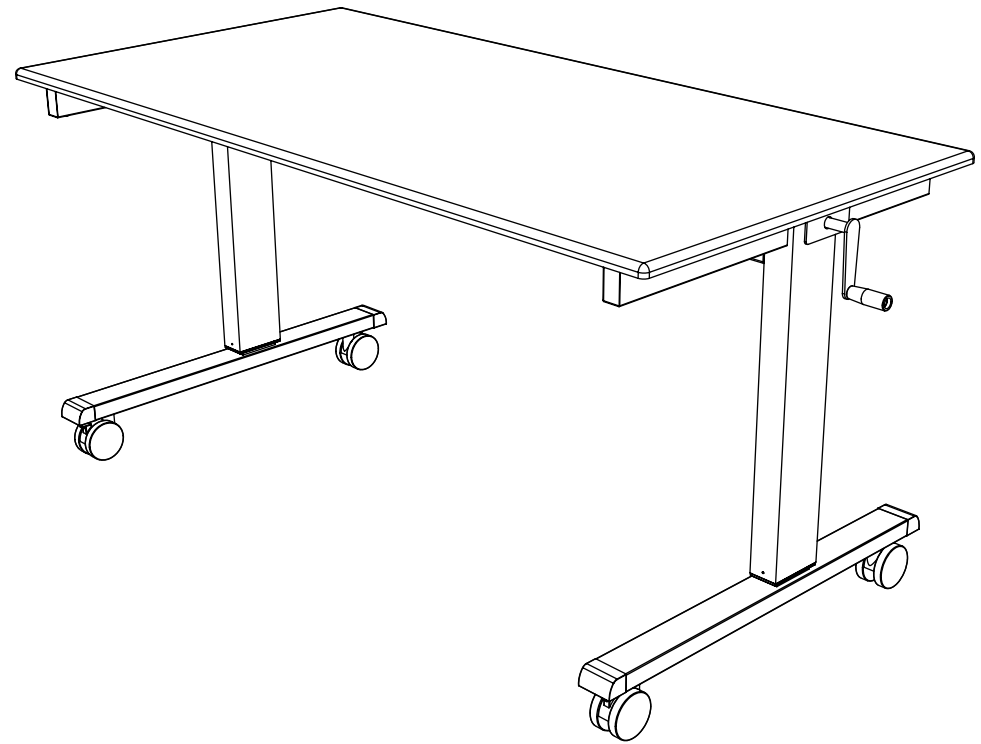


Questions or Feedback Call Us at:

800-323-4656



Stand Up Crank Flat Top Desk Assembly Guide
for 60" & 48" Wide Desks

Table of Contents

Table of Contents	2
Parts List & Hardware	3
<u>Assembly and Installation</u>	
Assembly of the right and left frame	4
Assembly of the cross bars	5
Place crank adjustment housing	6
Attach crank adjustment housing	7
Flip desk upright	8
Install cable clips and optional electric	9
Attach the desk surface	10
Finish assembly and tighten bolts	11

ATTENTION!

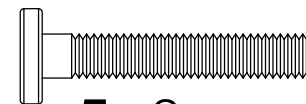
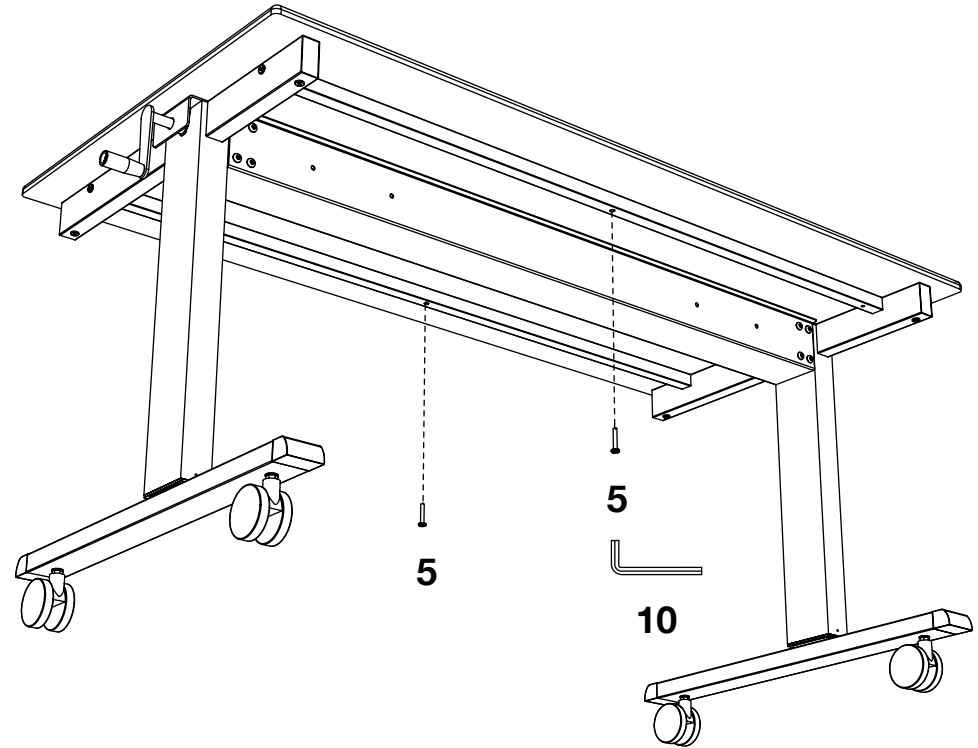
Do not fully tighten screws until completely assembled

WE ARE GIVING YOU A STANDING OVATION

You did it! You took the first step towards healthier living by purchasing our stand up desk. We couldn't be happier to have you joining the millions of people who were tired of sitting around and ready to take a stand for a healthier life.

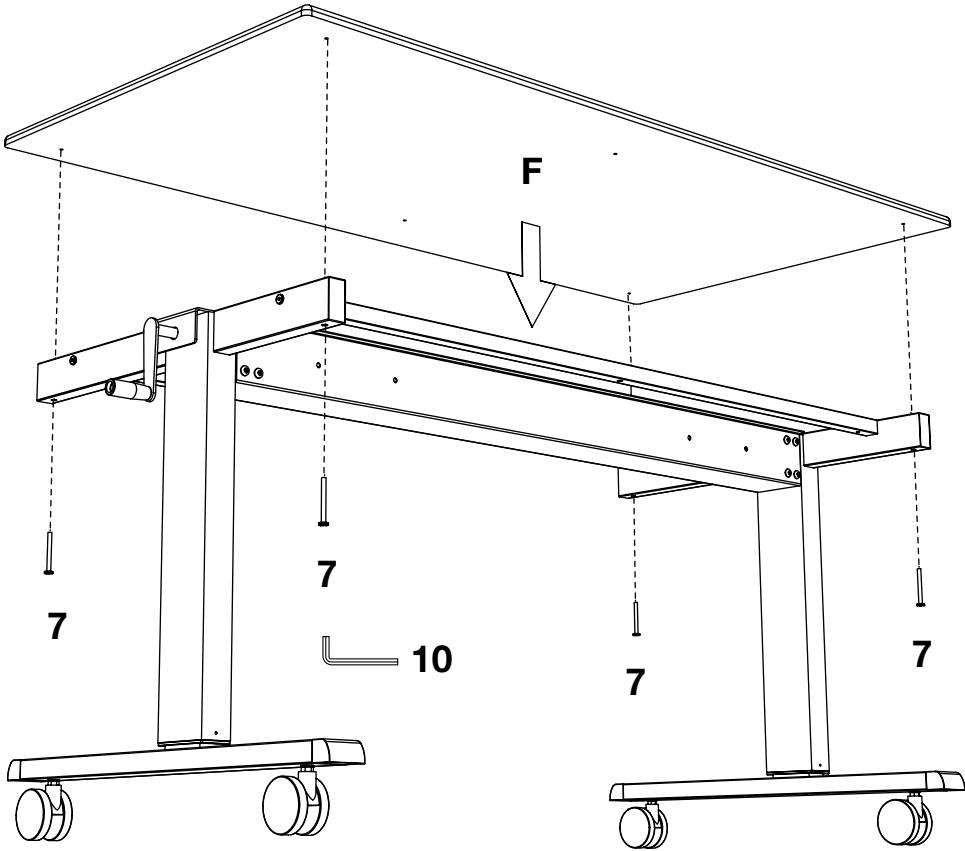
This desk was built with you in mind and every detail was carefully crafted. The following assembly guide is best accomplished with two people. If you have any questions or concerns give us a call at: **1-800-323-4656** or email at: **customerservice@luxorfurn.com**

8 Finish assembly and tighten bolts



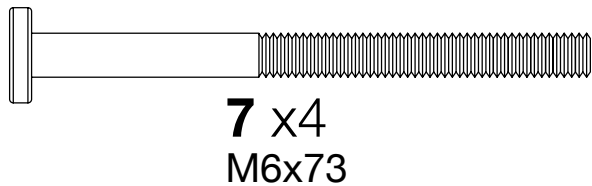
5 x2
M6x36

7 Attach the desk surface

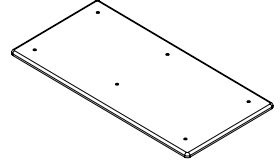
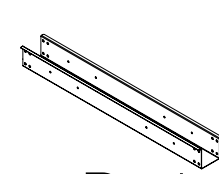
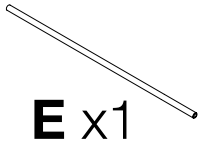
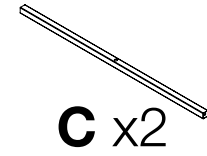
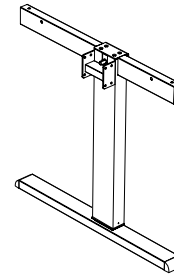
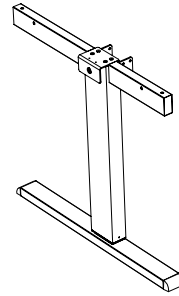


Gather Parts:
F

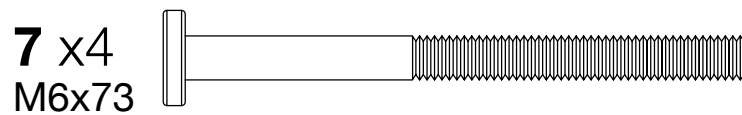
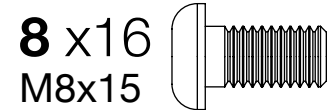
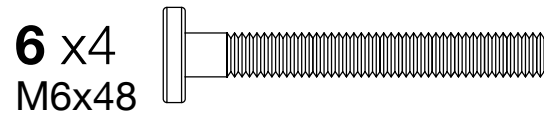
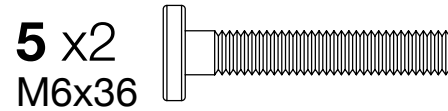
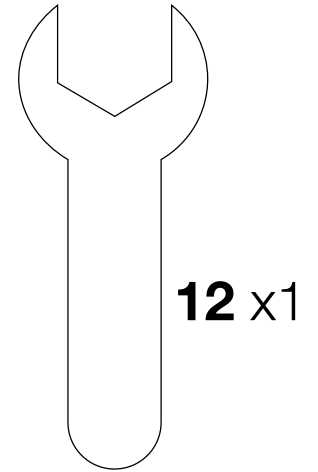
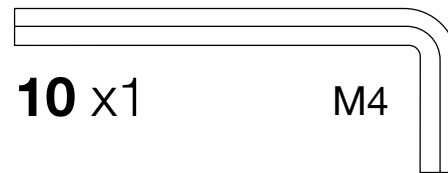
&



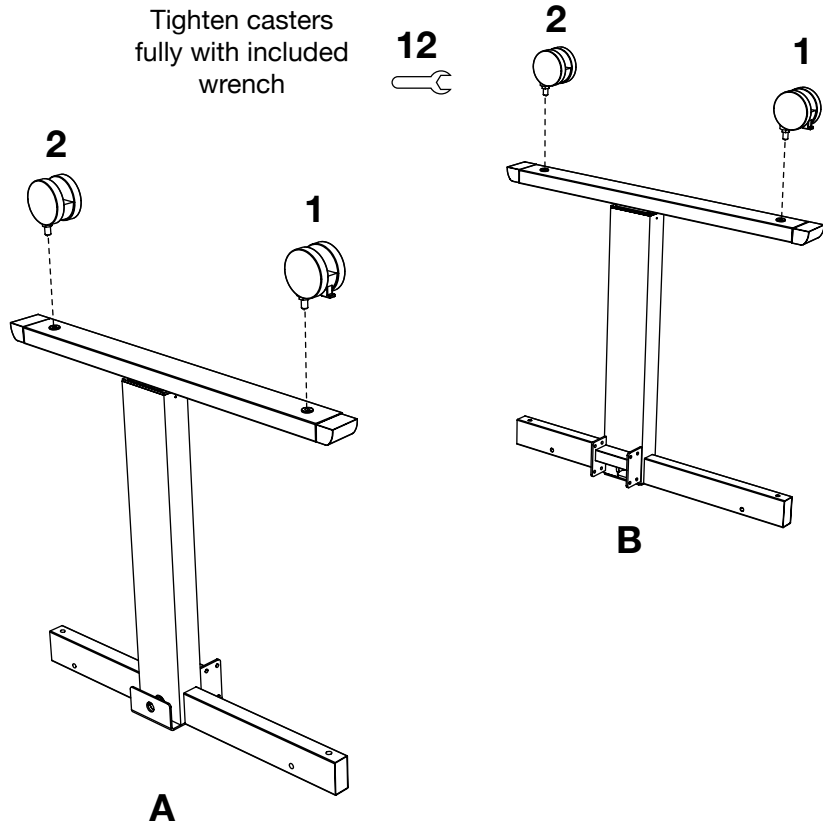
Parts List



Hardware (Actual Size)

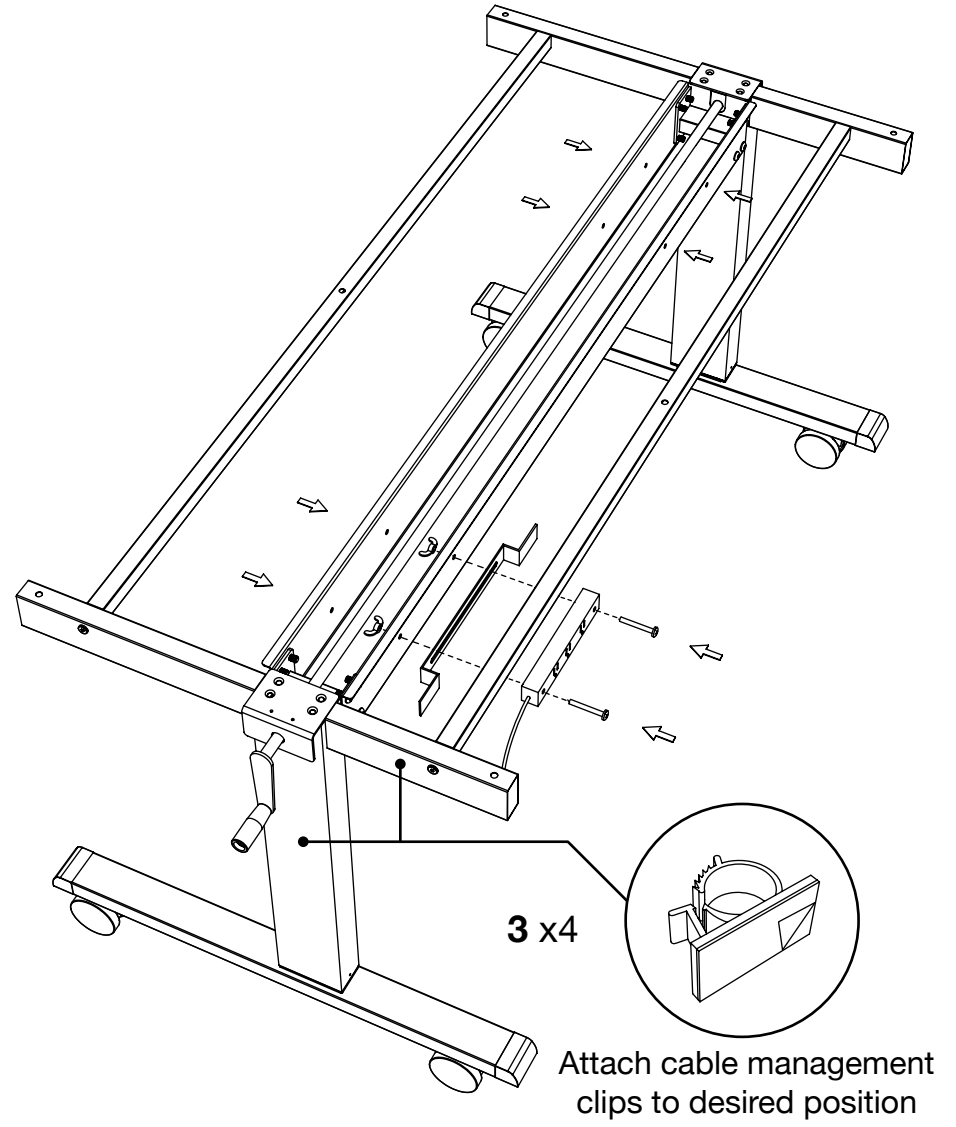


1 Assembly of the right and left frame



Gather Parts:
A, B, 1, 2, 12

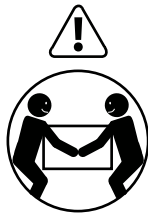
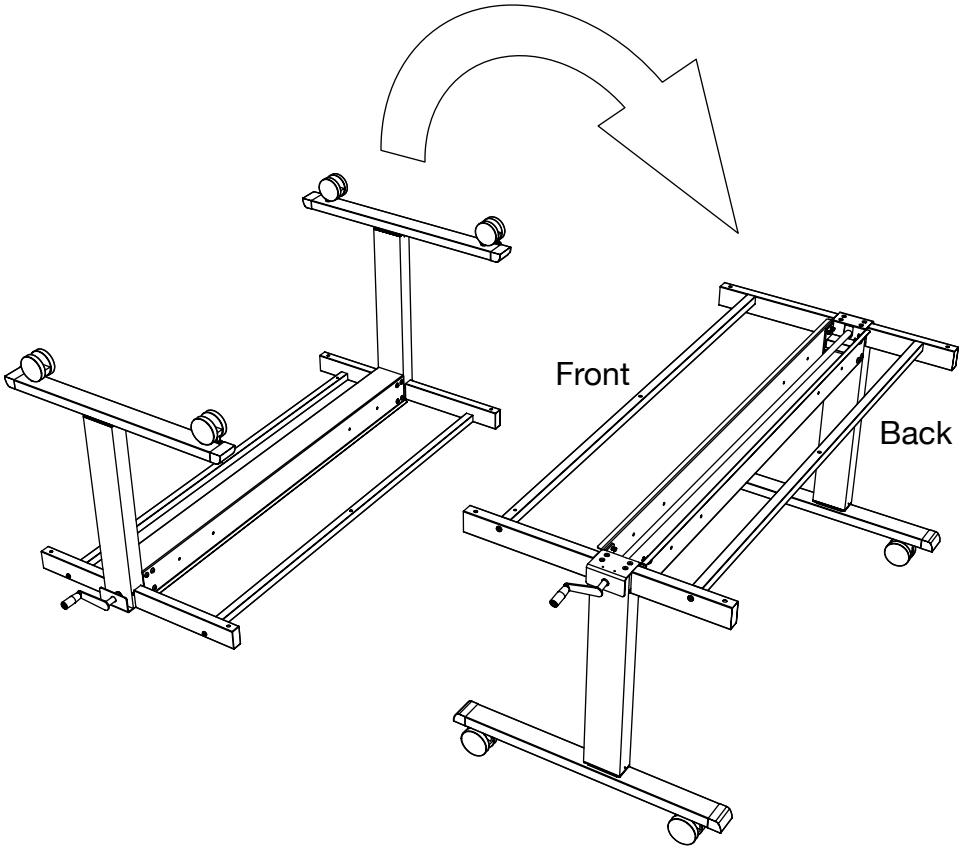
6 Install cable clips and optional electric



Gather Parts:
3

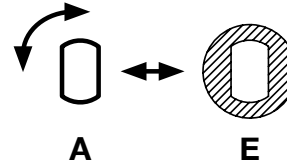
IMPORTANT: Install the **OPTIONAL** electric (**SOLD SEPARATELY**) before attaching the desk top to the frame.

5 Flip desk upright



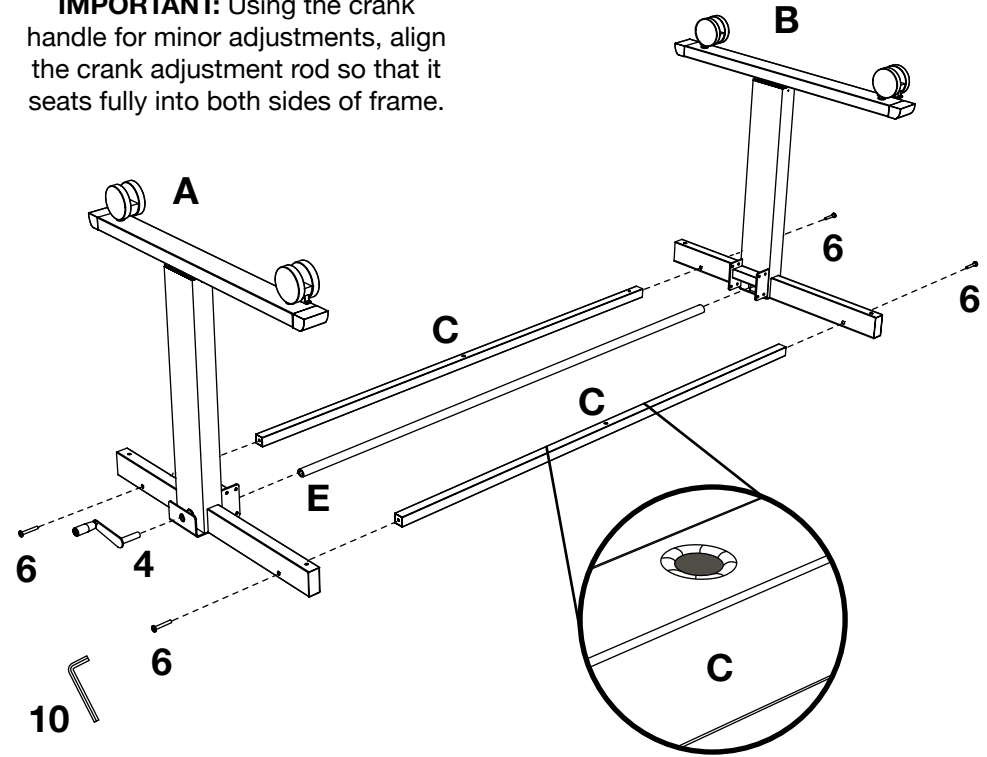
**Heavy Lifting:
Assistance
Required**

2 Assembly of the cross bars



**Assistance
Recommended**

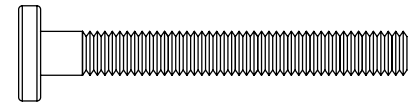
IMPORTANT: Using the crank handle for minor adjustments, align the crank adjustment rod so that it seats fully into both sides of frame.



Make sure the indented center hole of the cross bars **C** are facing towards the casters

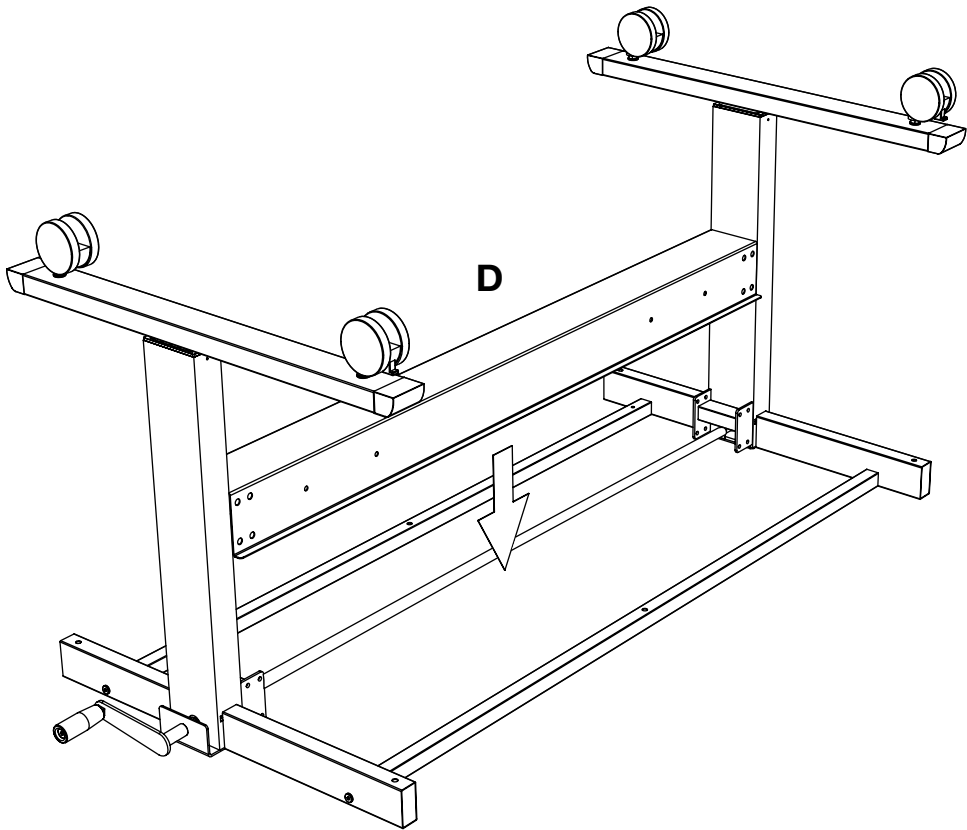
Gather Parts:
C, E, 4, 10

&



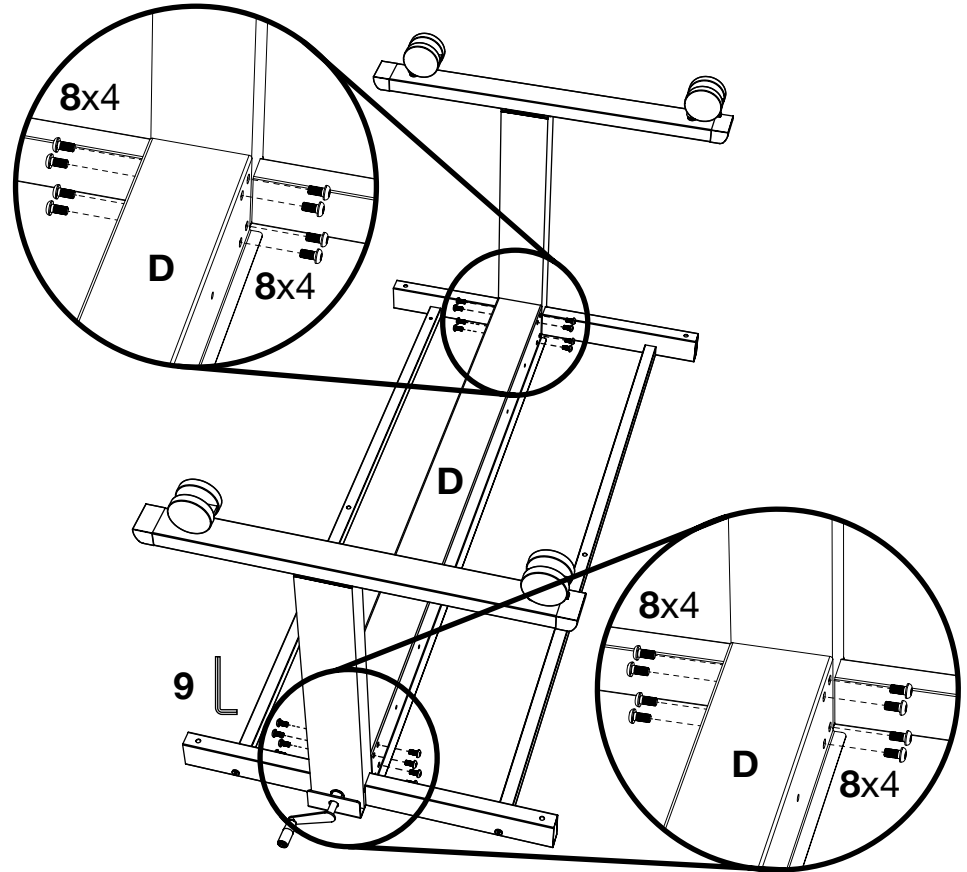
**6 x4
M6x48**

3 Place crank adjustment housing



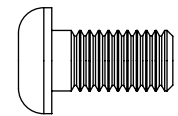
Gather Parts:
D

4 Attach crank adjustment housing



Gather Parts:
9

&



8 x16
M8x15