

BAILEY

121219B

Model 375 Mobile Adjustable Wheelchair Table Operation Instructions

Making Adjustments:

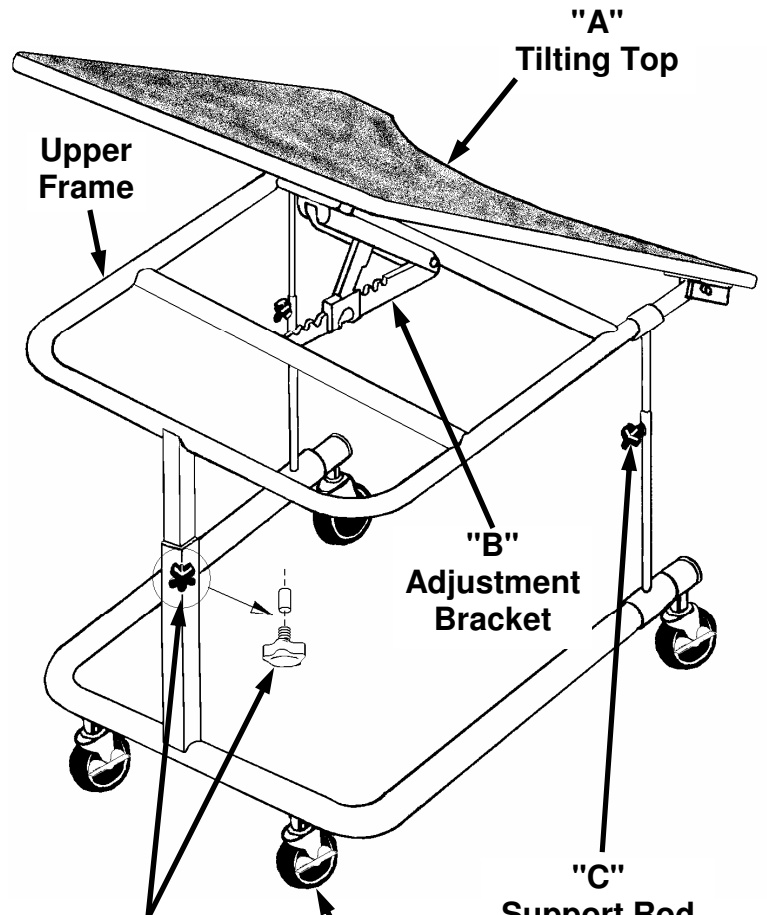
Tilting Top, Angle Adjust:

- Lift Top "A" by rear edge to desired angle. The height Adjustment Bracket "B", will stop on one of the grooves. To lower the angle, the Top must be lifted all the way up first, before it will go back down.

Upper Frame, Height [*requires two people*]:

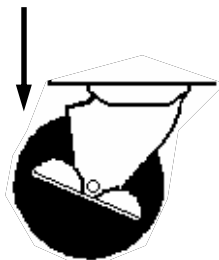
- Loosen Adjustment Knobs "C" and "E", on both sides of Support Rods, and on Rear Base Post. Lift up on Upper Frame to adjust height. Tighten Knobs to secure in desired position.

NOTE: Always make adjustments carefully, to prevent damage to the Adjustment Bracket, or to the Support Rods.



Part "D" Caster Lock Operation *[Caster #10305]*

Press down with foot on side lever, to lock or unlock casters



**"E"
Rear Base Post
Knob
#21443
5 Lobes
with
Spacer Pin
5/16 DIA x 3/4"L**