

Instruction of MBS3242BLK Wall fixed installation

1.Product Features


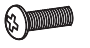
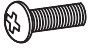





MBS3242BLK Product weight:7.5kg; TV size support:32-42";
Maximum load:10kg;For VESA standard: 200x200mm

2.Hardware List

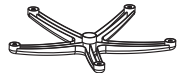





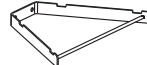
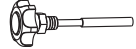
Important: We are not responsible for any personal injury or product damage due to mishandling, incorrect mounting, incorrect assembly or incorrect use of this product.

Note: The supplied wall mounting hardware is not for use on steel stud walls or cold cinder block walls. If you are uncertain what material your wall is constructed of or any question regarding the proper installation of this wall mount, contact a qualified contractor. If the hardware required is not including, please contact your local hardware store.

Caution: This LCD/Plasma wall mount is intended for use with television that does not exceed the maximum weight capacity designated. Using this mount with products heavier than the maximum weight indicated may result in instability causing possible injury.

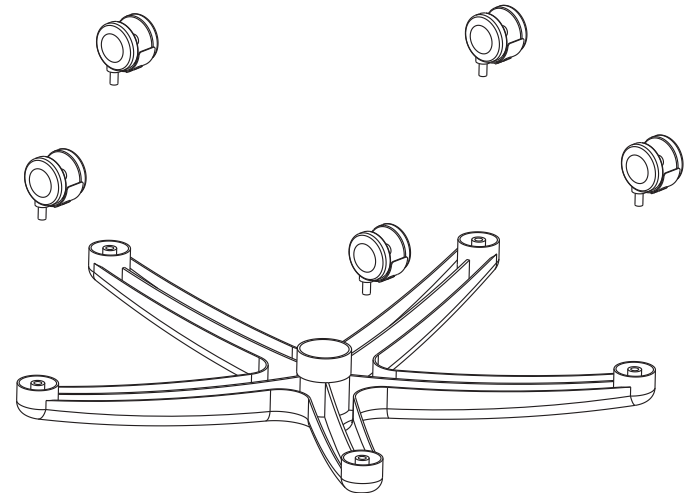
B		washer	x2
C		M6x20mm Cross round screw	x4
D		M8x16mm Cross round screw	x4
E		Φ6 Plastic spacer	x4
F		plastic cage	x4
G		M6x10mm Cross round screw	x2
H		M6x25mm Cross round screw	x2
I		Φ6 washer	x4

Screw spare parts list

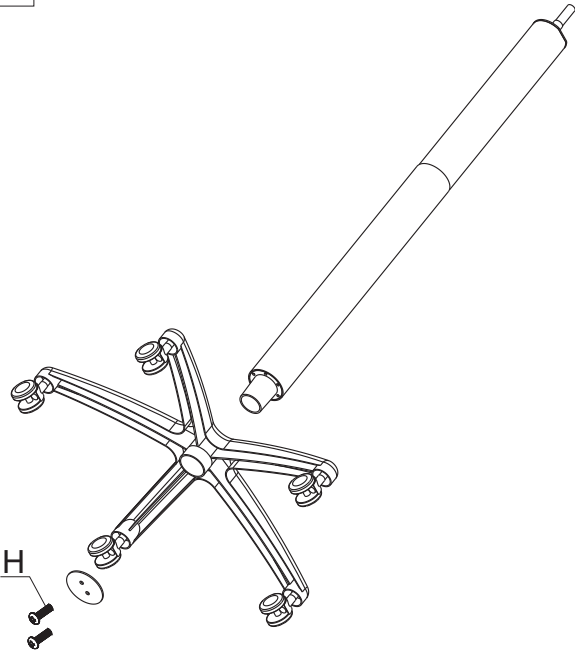
No.	Description	Specifications Model	Qty.
1		The base	x1
2		Gas spring telescopic tube	x1
3		Panel	x1
4		Wheel	x5
5		Iron	x1
6		glass shelf	x1
7		DVD shelf	x1
A		Release pipe	x1

Instruction of installation operation

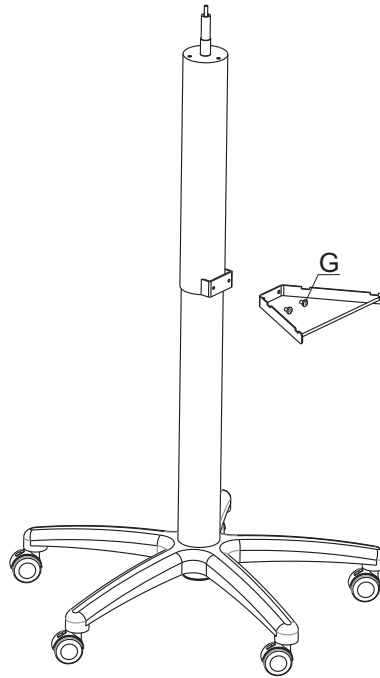
1



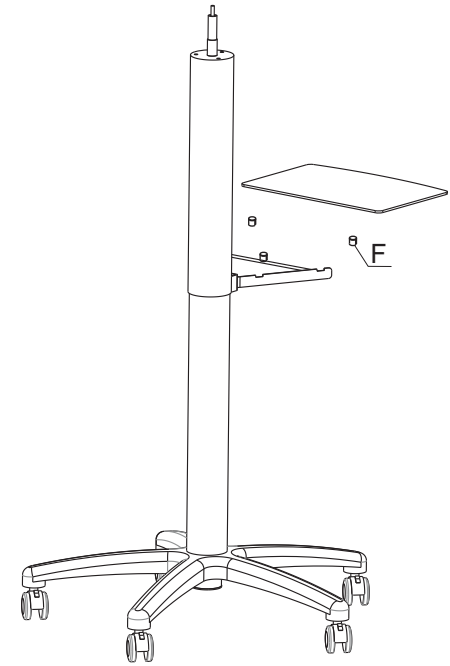
2



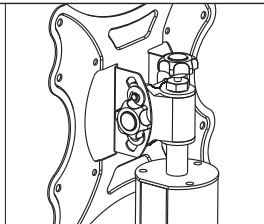
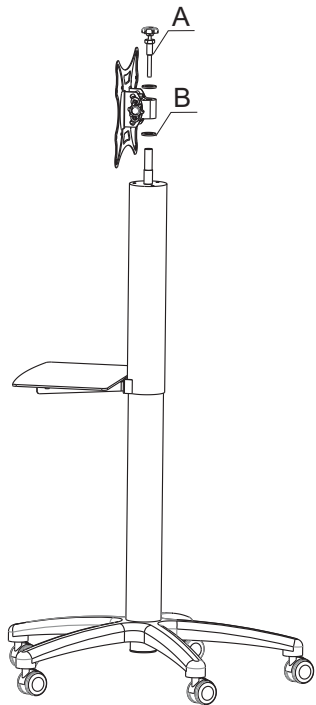
3



4

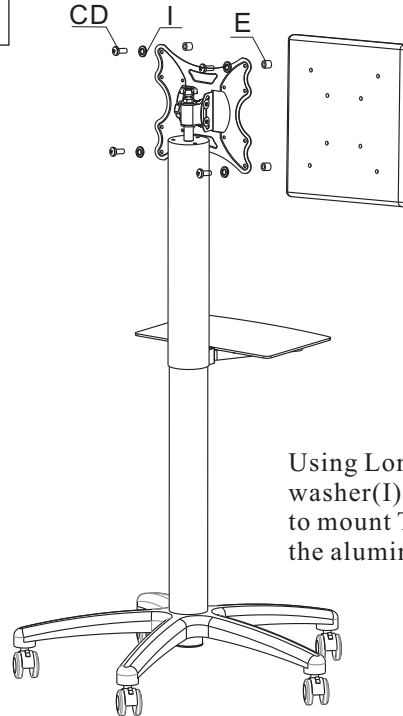


5



Down regulation

6



Using Long bolt(CorD),
washer(I)and Spacer (E)
to mount TV set to
the aluminum siding.

7

