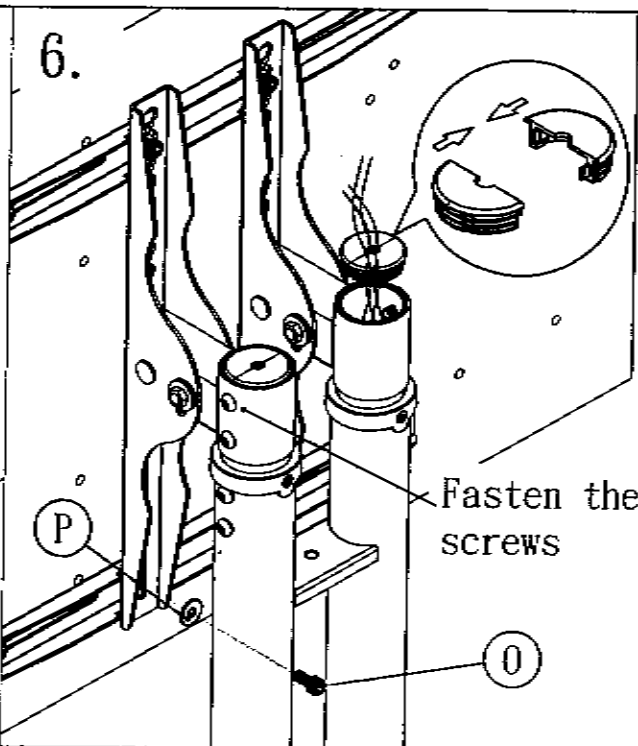
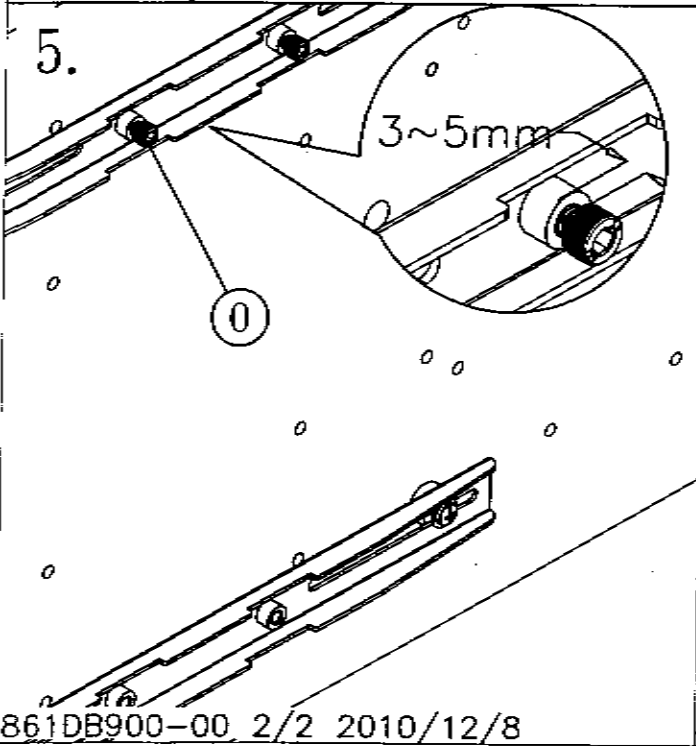
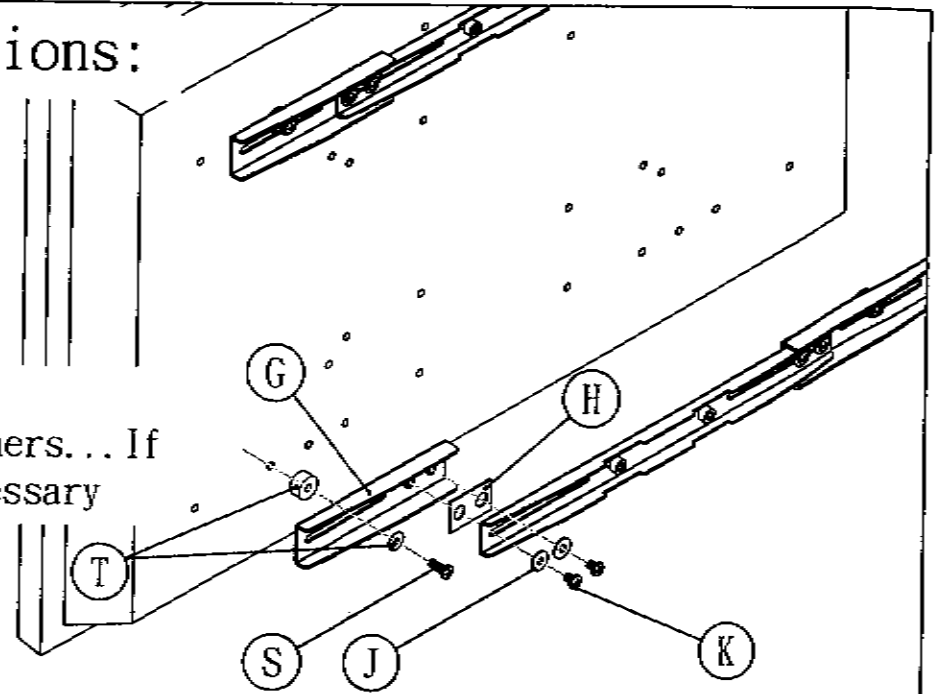


Options:

Add washers... If necessary



Adjust torque... if necessary

Adjust height... if necessary

