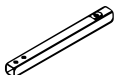
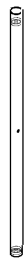


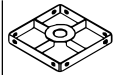







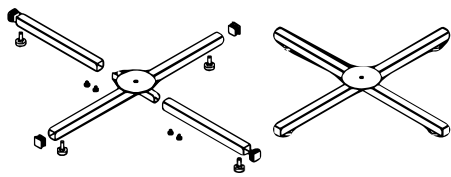
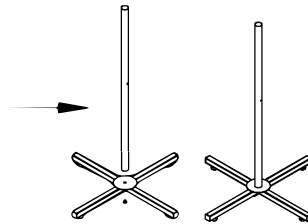
 <b>Base Pole#1</b> 1pcs		 <b>Base Pole#2</b> 2pcs		 Pole#1 1pcs		 <b>3/8-16*50.8 hex head screw</b> 1pcs		 <b>bearing</b> 1pcs		 <b>support plate</b> 2pcs		<h1>MD4PFSBK MD4PFSWH Assembly Instructions</h1>	
 <b>1/4-20*12.7 hex head screw</b> 20pcs		 <b>Levelers</b> 4pcs		 <b>End caps</b> 4pcs		 <b>cotter pin</b> 1pc		 <b>Grid panel</b> 4pcs		 Pole#2 1pc			 <b>removable header</b> 1pcs

### step 1



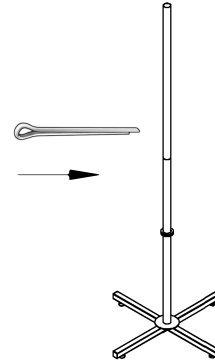
1. Joint the Base Pole#1 & Base Pole#2 using (2) 1/4-20\*12.7 hex head screw. Then assembly the end caps and levelers (or wheels) into the base.

### step 2



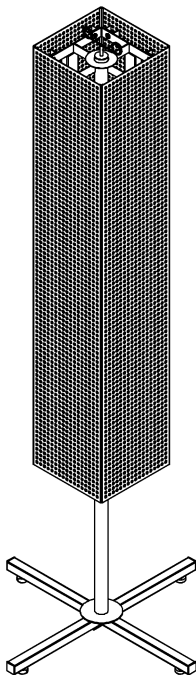
2. Please screw the Pole#1 into the base using (1) 3/8-16\*50.8 hex head screw.

### step 3



3. Assembly Pole#2 on top of Pole#1. Insert cotter pin and follow by bearing.

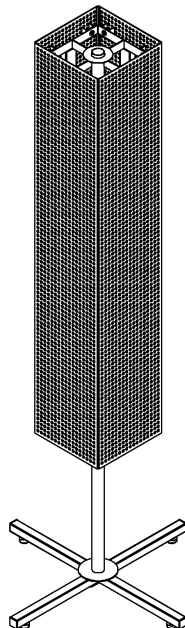
### step 6



6. Put the removable header on top of Pole#2.

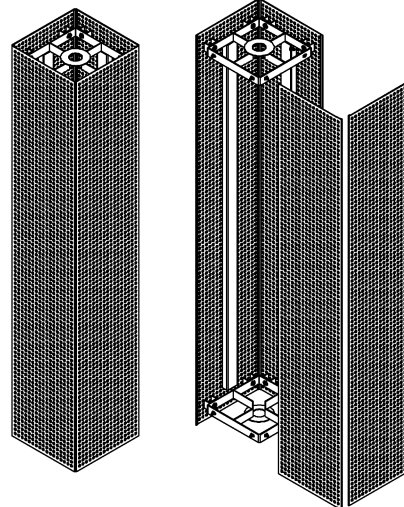
Complete, and product ready to use.

### step 5



5. Insert the Grid panel on pole.

### step 4



4. Joint the Grid panel & support plate using (16) 1/4-20\*12.7 hex head screw.