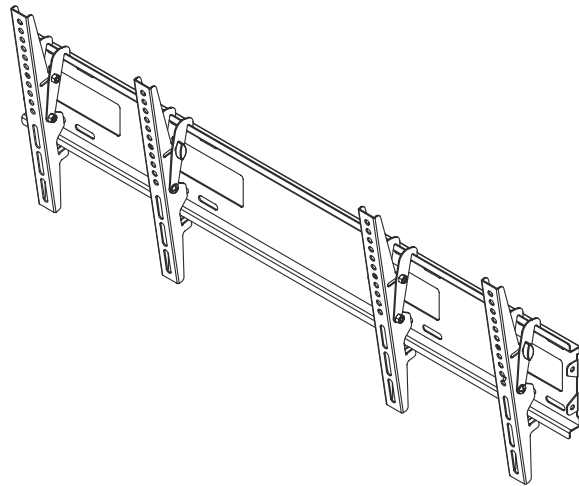


# DISPLAYS2GO

## MNBD2642S4



26-42"  
66-107cm

Max  
60kg  
[132lbs]

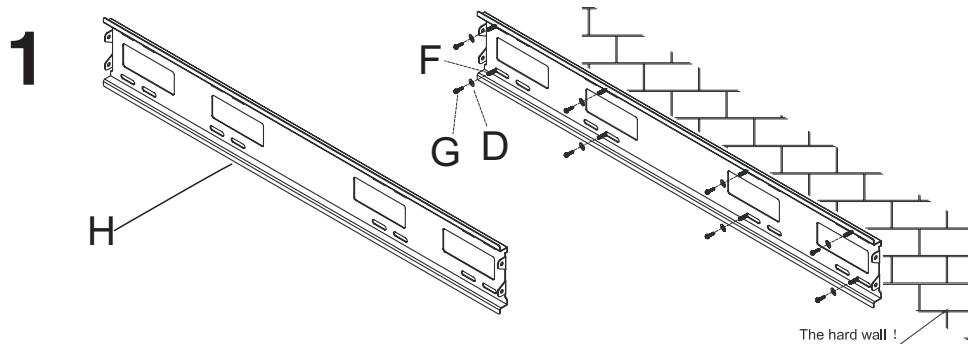


Max 400\*300 Candscape

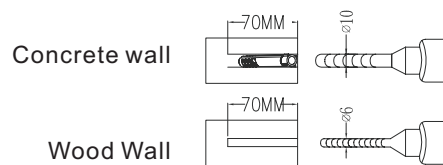


H	I	I
1PCS	2PCS	2PCS

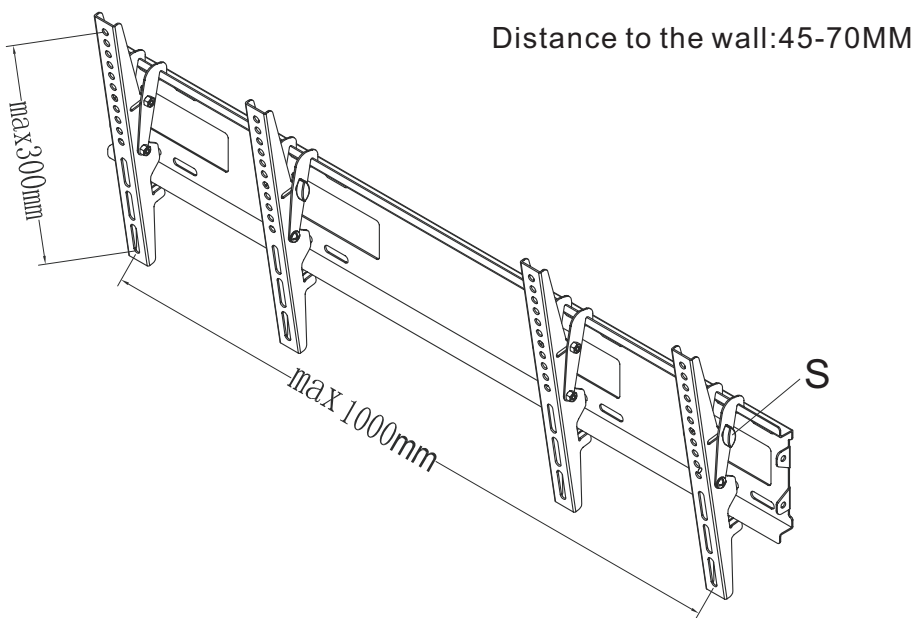
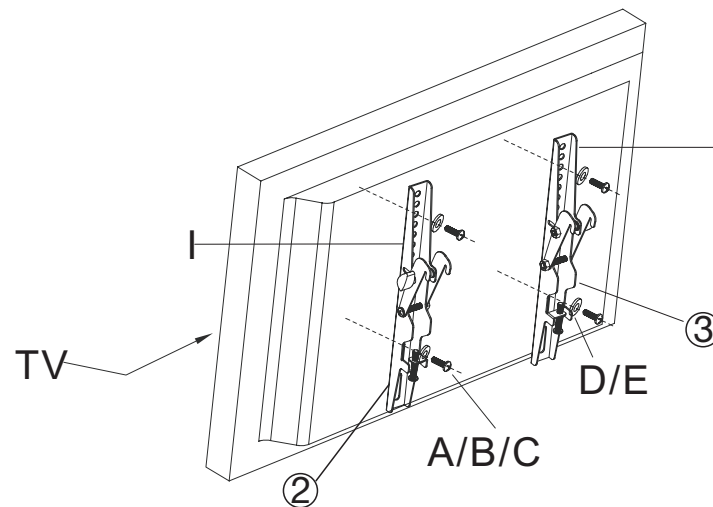
A	B	C	D	E	F	G
M8X15 8PCS	M6X15 8PCS	M5X15 8PCS	M6 16PCS	M6 8PCS	Ø10X50 8PCS	M8X50 8PCS



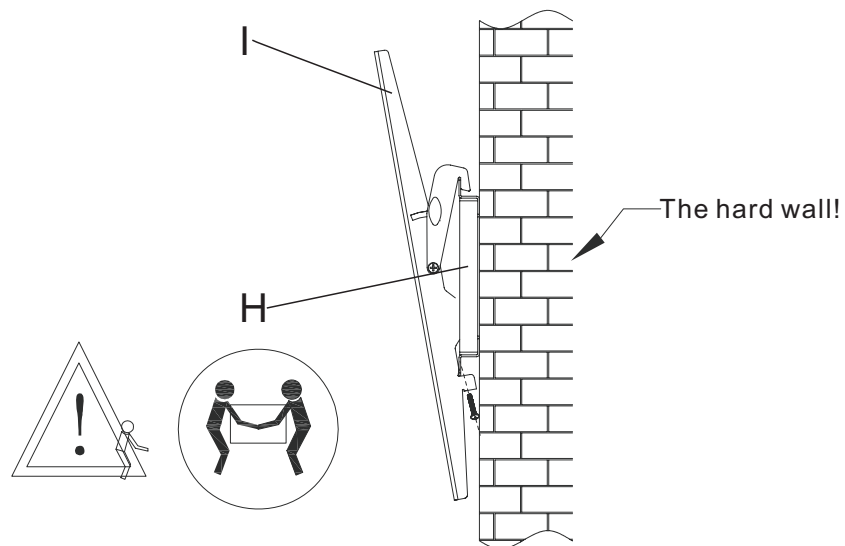
1. Drawing vertical line on the wall and making marks for drilling holes on the wall as per drawing.
2. Drill 70mm-deeped holes with  $\varnothing 10$  Diameter on the marks.
3. Fix subassembly H on the wall With accessories F and G.



- 2 Fix subassembly I on the TV with proper bolts A/B/C and D/E.



- 3 Hook the TV on subassembly H Screw accessory S into I to make H and I stable. Adjust the TV to the desired angle.



The viewing angle of TV can be adjusted by loosen or tighten S

**4** Tighten safety screw on each bracket to lock screen in place.

