
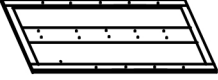




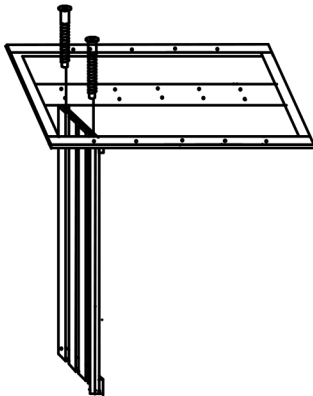
MOBDBLRAK

Assembly Instruction

			
Shelf (10pcs)	Side Panel (2pcs)	Phillips Screw (20pcs)	Wheel (4pcs)

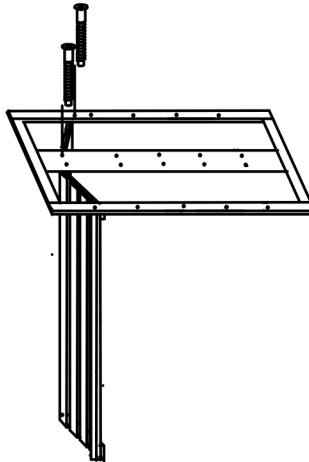
Step 1

Begin by aligning holes on the edge of the shelf with the holes on the side panel. Make sure that the lip of the shelf is facing outward from the center of the side panel. Hand-tighten and secure the shelf to the side panel with (2) screws, as shown.



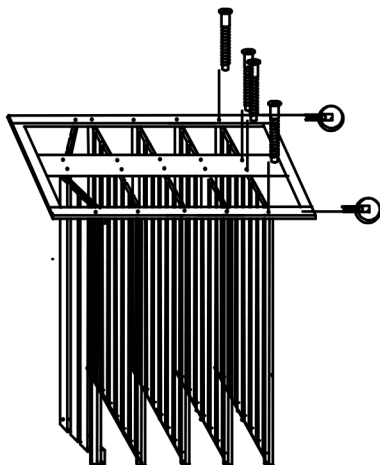
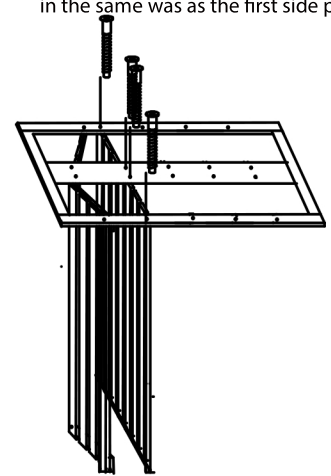
Step 2

Repeat Step 1 until all the remaining shelves are attached to the first side panel.



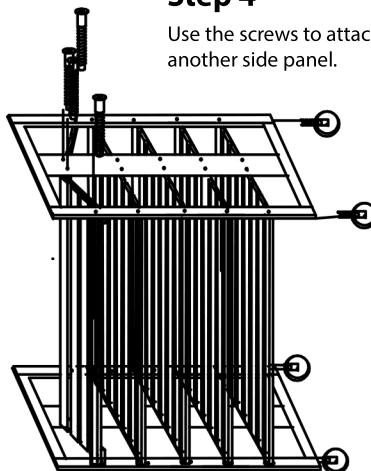
Step 3

After all the shelves are attached to the first side panel, flip the unit over so that the second side panel can be attached. Attach the second side panel to the shelves in the same way as the first side panel.



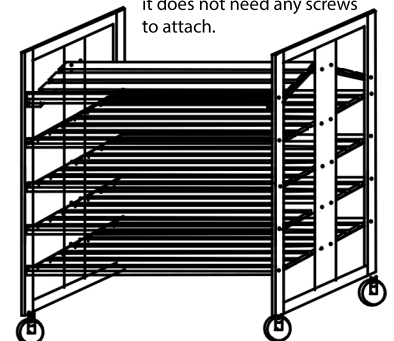
Step 4

Use the screws to attach another side panel.



Step 5

After both side panels are securely attached, attach the wheels to the bottom of the side panels. Please note: the bottom panel with screw nuts, when fixing the wheels, it does not need any screws to attach.



PLEASE NOTE: The side panel has two sets of attachment holes on the center slat for positioning the shelves either flat or at an angle