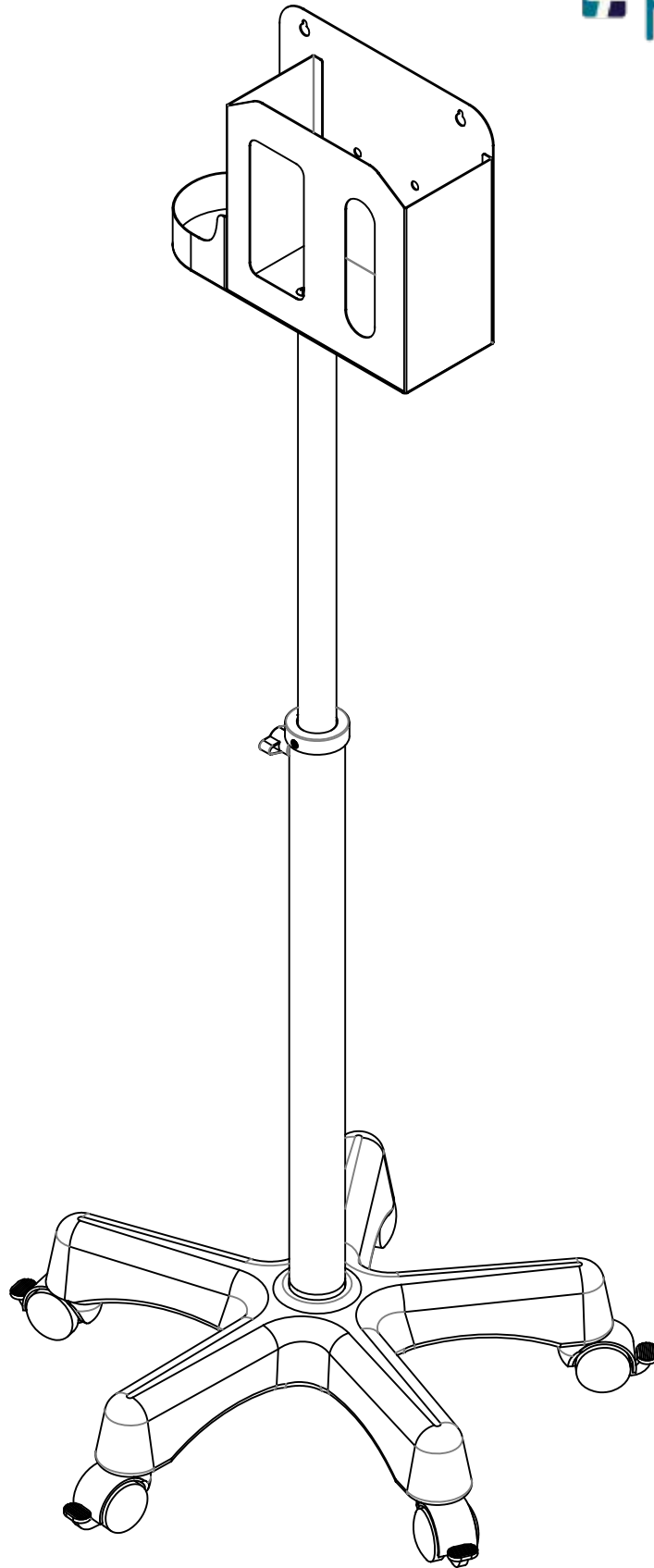


**Mobile Hygiene Station
Assembly Instructions**

SKU: HYGST3WH

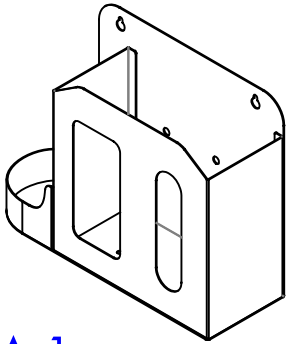


DISPLAYS2GO
CONNECTING PEOPLE & BRANDS WITH THE WORLD

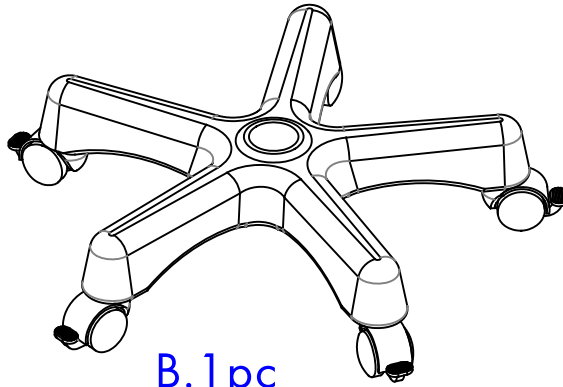


Max Load: 5Kgs

Part List:



A. 1pc



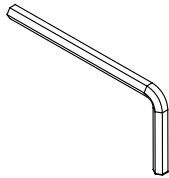
B. 1pc



C. 1pc

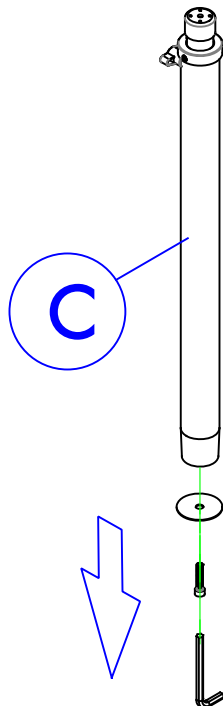


D. M4*10
4pcs

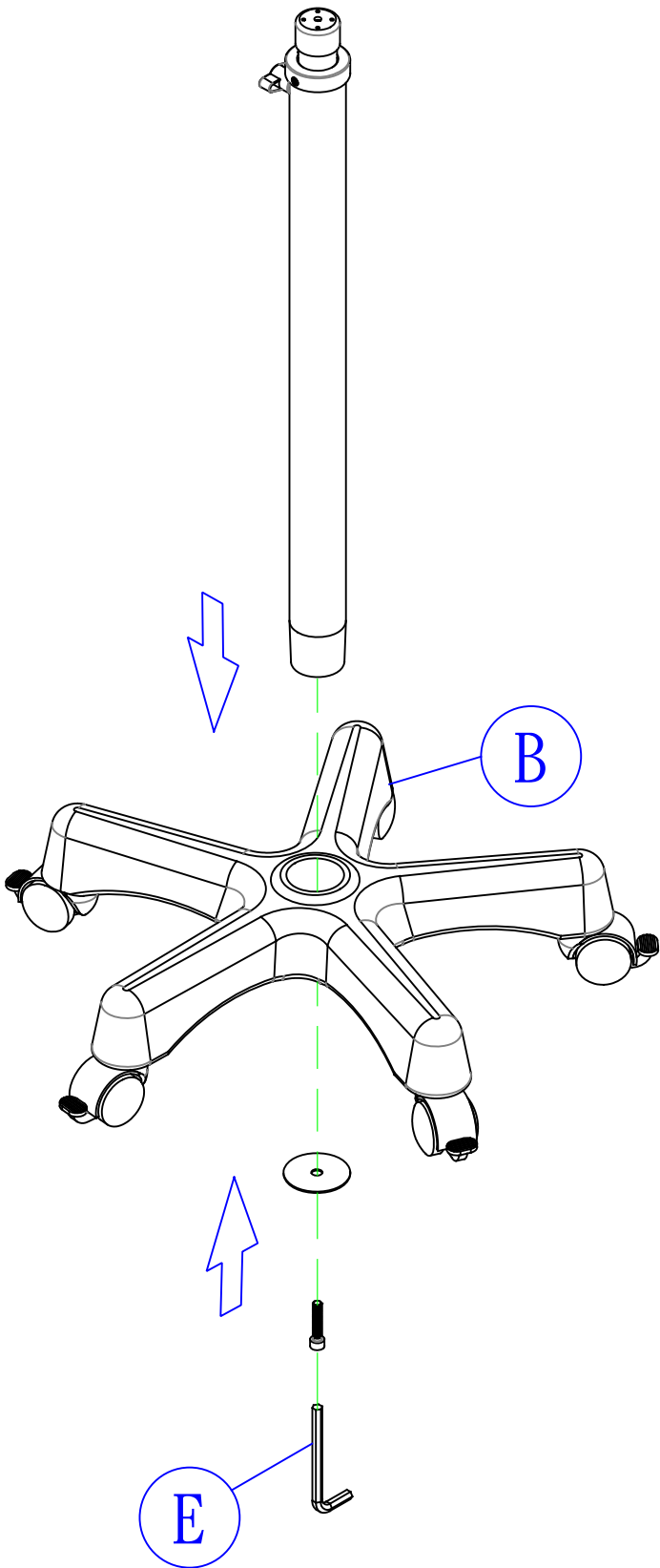


E. M6 wrench
1pc

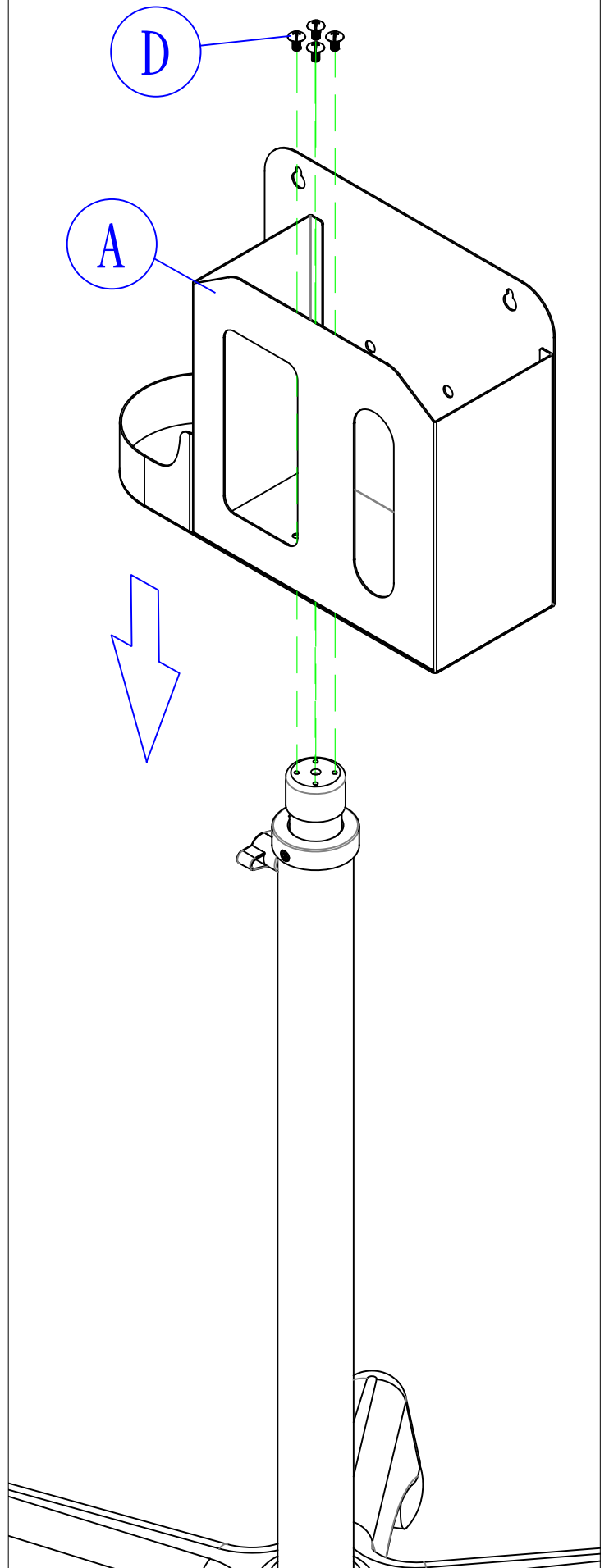
1.



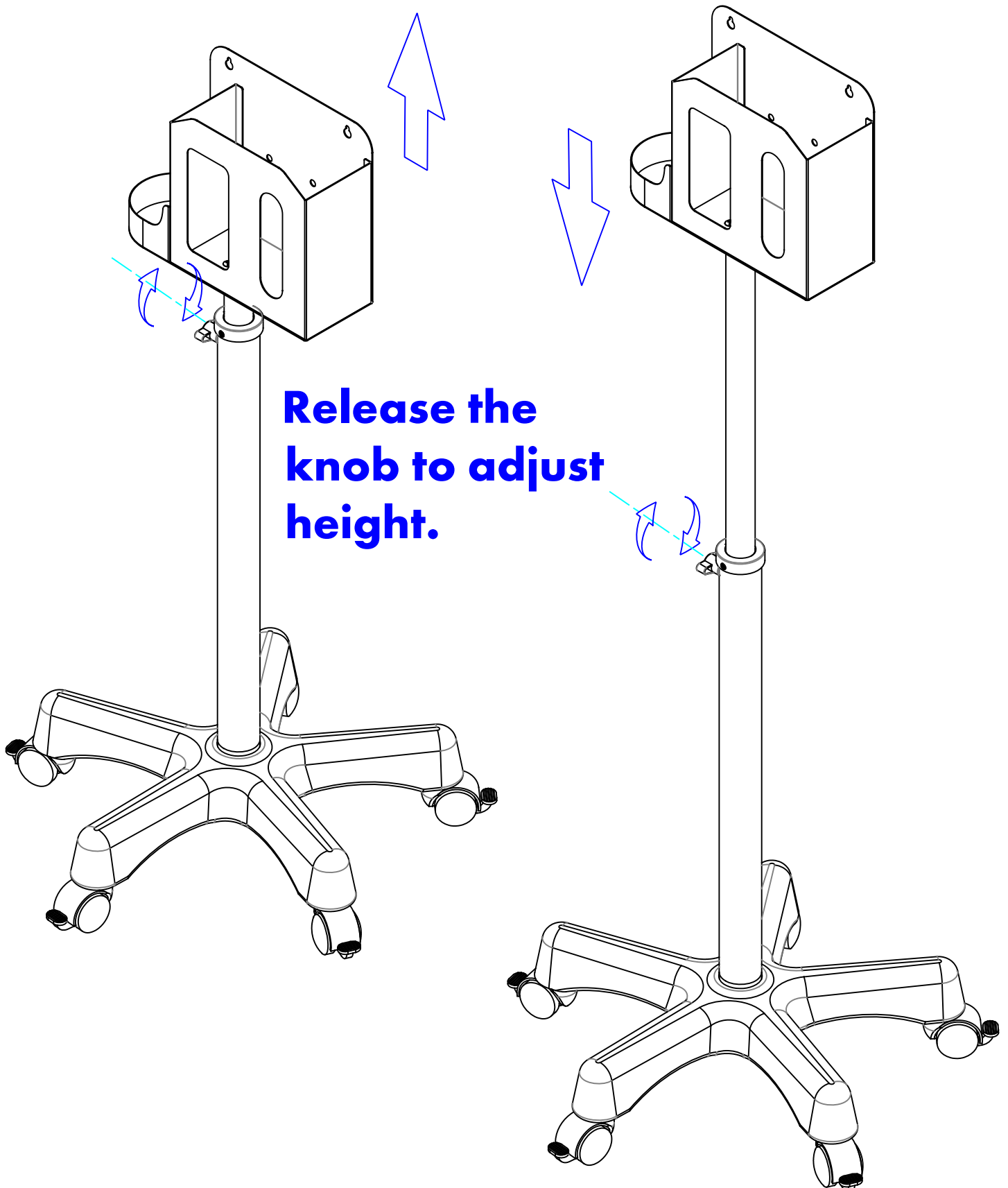
2.



3.



3.



If you have any questions regarding our products, please visit us at www.displays2go.com or contact D2G customer service at 844-221-3388.