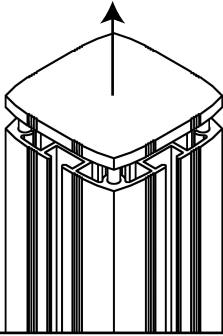
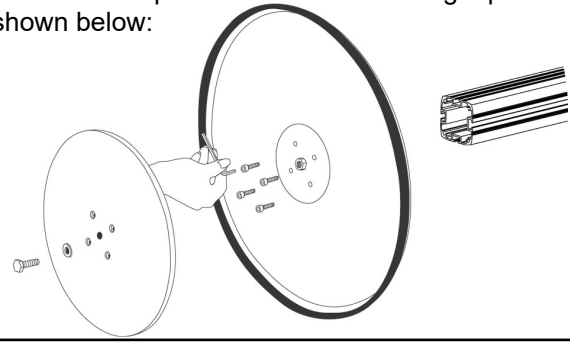


Remove the caps at the ends of MP pole.

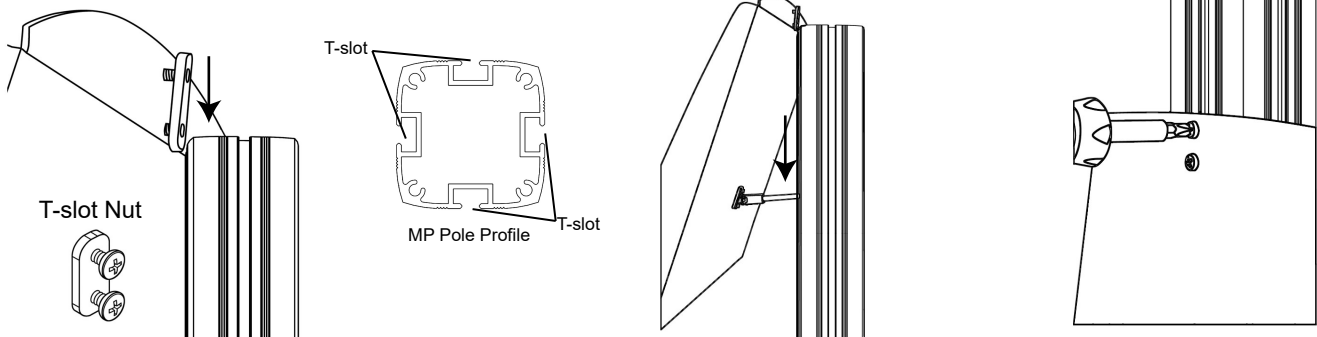


Connect the MP pole to the base and weight plate as shown below:



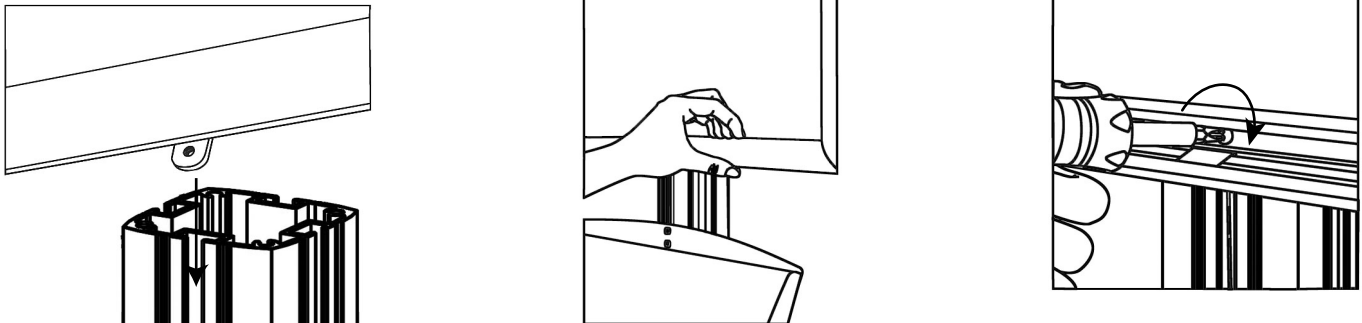
### TO CONNECT A LITERATURE TRAY:

1. Loosely attach the included T-slot nut to the back of the literature tray.
2. Slide the support arm (attached to the tray) and the T-slot nut into the T-slot.
3. Tighten the screws with T-slot nut at the desired height.



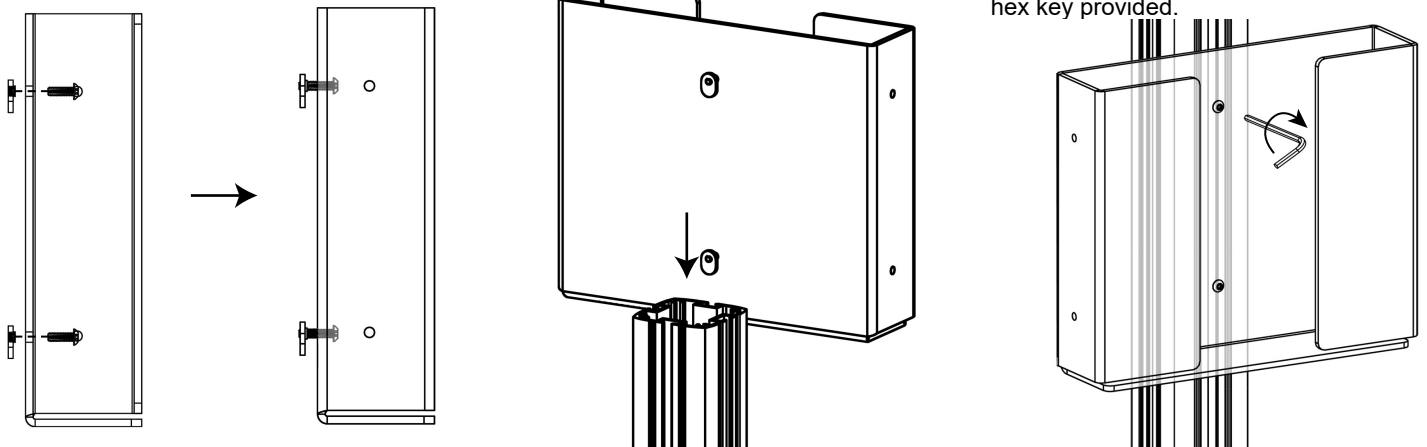
### TO CONNECT SNAP FRAME:

1. Slide (2) T-slot nuts down the T-slot in the MP pole to the desired height.
2. Flip open the horizontal portions of the frame:
3. Tighten the screws at the top and bottom of the snap frame to secure it at the place.



### TO CONNECT ACRYLIC POCKET:

1. Loosely connect provided screws and T-slot nuts through the holes in the back of the acrylic pocket.
2. Slide both top and bottom T-slot nuts into the front T-slot in MP pole as shown below:
3. Position the acrylic pocket at the desired height. Secure the pocket by tightening (2) screws from inside of the pocket with the hex key provided.



If you have any questions regarding our products, please visit us at [www.displays2go.com](http://www.displays2go.com) or contact D2G customer service.