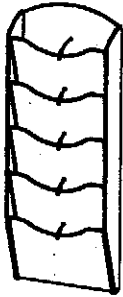


MSHWL5 & MSHWL10 Wall-Mount Instructions

MSHWL5
(5-pocket)



MSHWL10
(10-pocket)

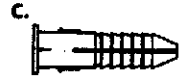


Parts

Description

- A. Rack (5-pkt. or 10-pkt.)
- B. Screw
- C. Wall Anchor

QTY
1
4
4

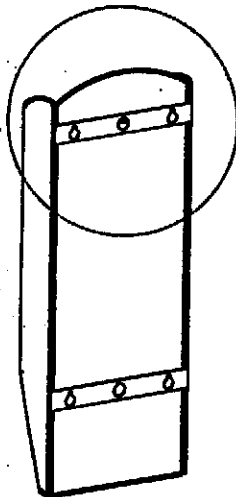


* NOTE: Each pocket should have a removable wire divider.

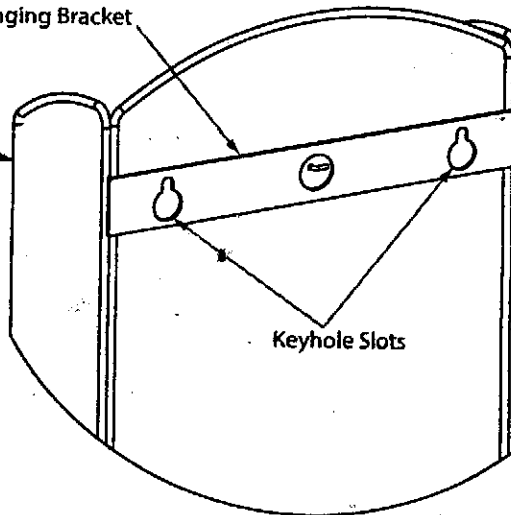
TOOLS NEEDED:

- Power Drill with 3/16" Drill Bit
- Phillips Screwdriver

Backside of
MSHWL5



Hanging Bracket



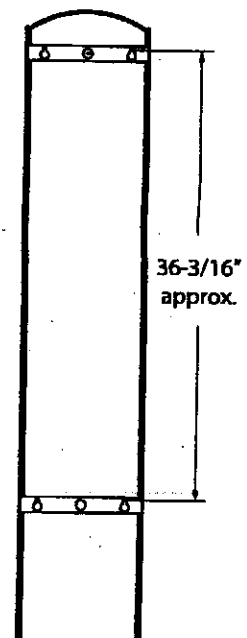
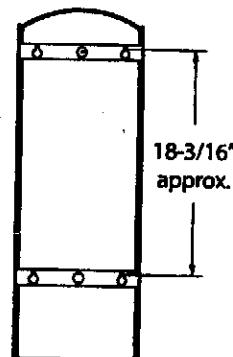
Keyhole Slots

After using the drill template on page 3, align the screw heads on the wall with the keyhole slots on the hanging bracket to mount the rack. After the rack is fully seated on the screws, finish hand-tightening down the screws.

For added security, the lower hanging bracket can also be used when securing the wire rack to a wall. Marking the holes for the lower hanging bracket can be done a couple of different ways as listed below.

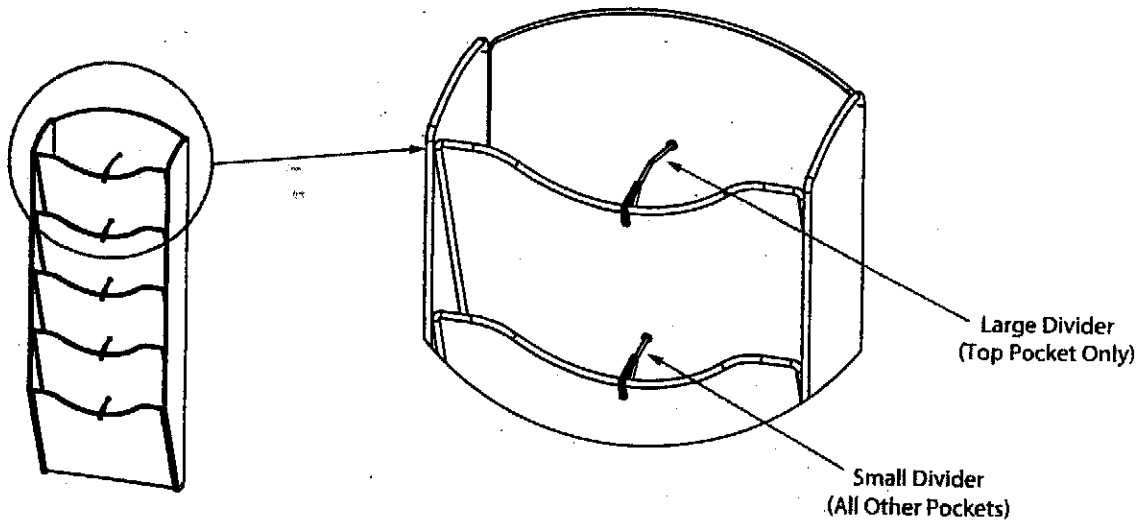
1) Using a level and straight edge ruler, measure the on-center hole distance according to the distances shown in the illustrations to the right.

2) Another method is to use the second drawing template found on page 3. After the unit is secured to the wall with the top hanging bracket, simply slide the paper template behind the rack and align the holes on the template with the holes on the lower hanging bracket. Tape the template to the wall as you did for the top hanging bracket, remove the rack, and drill as before.

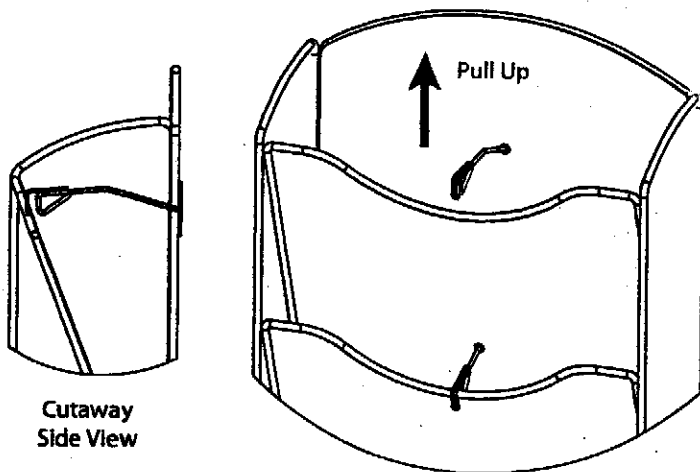


MSHWL1, MSHWL5 & MSHWL10 - Wall-Mount Instructions

Each rack pocket has a wire divider that can be used to divide each larger, single pocket into smaller, double pockets. This flexibility allows for many combinations of larger format literature (i.e. magazines) and smaller literature (i.e. brochures). Each rack includes one longer wire divider for the top pocket and multiple (depending on the pocket quantity) smaller dividers



①



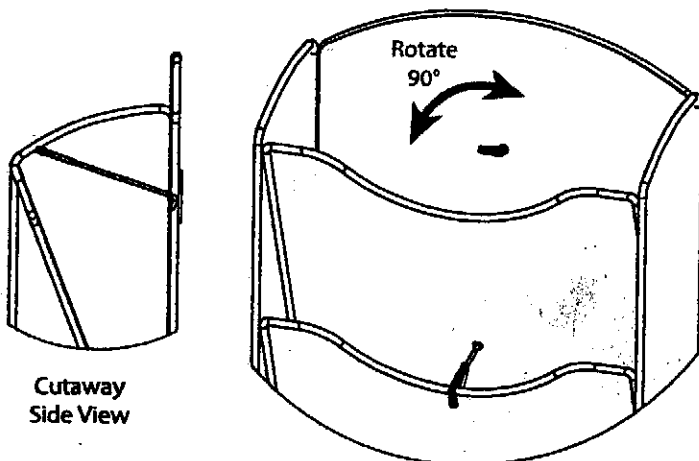
1) Each wire divider can be removed or adjusted to allow for larger pockets simply by pulling up on the divider to separate it from the front wire frame of the pocket.

2) After the divider is separated from the pocket, rotate it 90° so that the divider stem on the back of the rack is facing down.

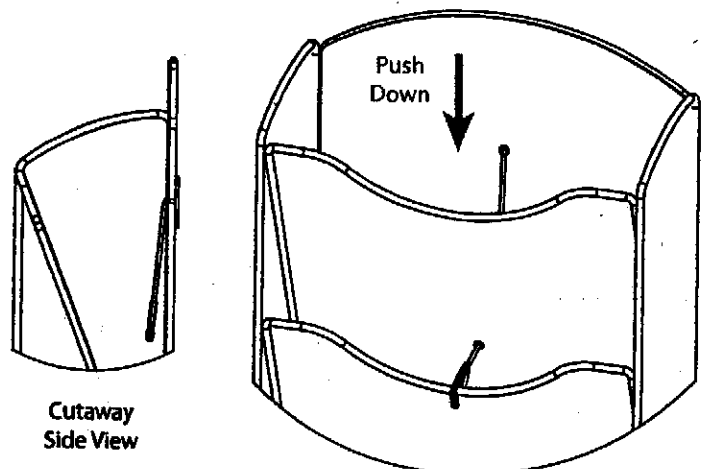
3) At this point, you can choose to lay the wire divider down vertically inside the back of the pocket, or you can remove the divider completely by pulling the stem through the front of the hole.

* NOTE: To re-attach the wire dividers to the pockets, simply perform the steps in reverse order.

②



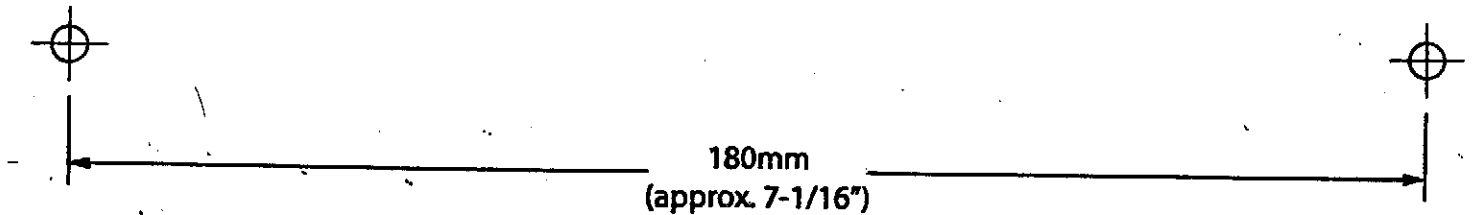
③



MSHWL1, MSHWL5 & MSHWL10 - Wall-Mount Drill Templates

*** PLEASE NOTE: IF PRINTING FROM HOME, PLEASE ENSURE THAT YOUR PRINTER SETTINGS ARE ON "ACTUAL SIZE" WHEN PRINTING OUT THE DRILL TEMPLATES. DO NOT PRINT OUT AS "FIT TO PAGE"; DOING THIS WILL ALTER THE DIMENSIONS OF THE TEMPLATE.

To mount the rack to the wall, first place a bubble level along the dotted line directly above and tape the instruction sheet on the wall where the rack is to be mounted. Using a 3/16" drill bit, drill (2) pilot holes into the wall for the plastic wall anchors. Then, using a Phillips screwdriver, thread each screw three-quarters of the way into the wall anchor, leaving part of the thread portion of the screw exposed. It's important not to tighten the screws all the way down.



To mount the rack to the wall, first place a bubble level along the dotted line directly above and tape the instruction sheet on the wall where the rack is to be mounted. Using a 3/16" drill bit, drill (2) pilot holes into the wall for the plastic wall anchors. Then, using a Phillips screwdriver, thread each screw three-quarters of the way into the wall anchor, leaving part of the thread portion of the screw exposed. It's important not to tighten the screws all the way down.

