

X8



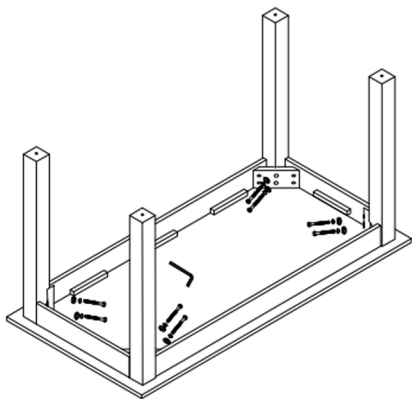
X8



X1



X8



X8



X8



X1



X8

ASSEMBLY INSTRUCTION