

### Fabric structure assembly

**Step 1.** Unpack small items from case then pull out large tube bag. Ground cloth should be used to keep frame & fabric clean.

**Step 2.** Assemble frame in numerical order as shown on right. Numbers will be on the back side of the tube. It is best to assemble with the frame laying flat as shown and set upright after the fabric is attached.

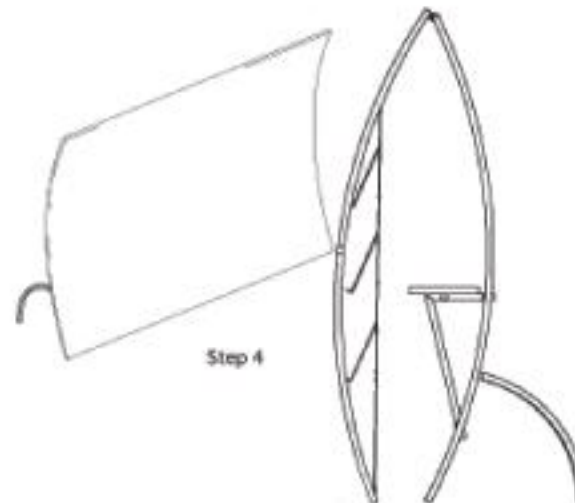
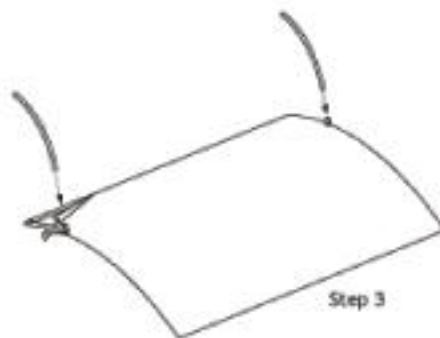
**Step 3.** Stretch fabric over frame.

- When working with fabric use gloves or clean hands and keep fabric away from dirty surfaces.

Pull fabric over frame and secure with zipper. Add legs to back of unit.

**Step 4.** Stand unit upright.

Adjust leveling feet on back of legs if needed.





#1

LEFT

-Engage both zippers on the (2) zipper side BEFORE pulling it over the corner of the frame.



#2

LEFT

-Pull zippered corner over corner of the frame, DO NOT ZIP any more until the end.



#3

RIGHT

-Engage zipper on SINGLE ZIPPER SIDE BEFORE pulling it over the corner frame



#4

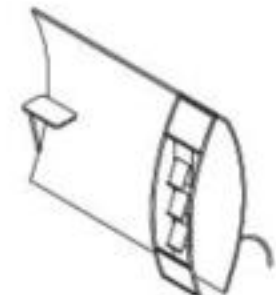
RIGHT

-Pull zippered corner over corner of frame



#5

-Extend all ZIPPERS.

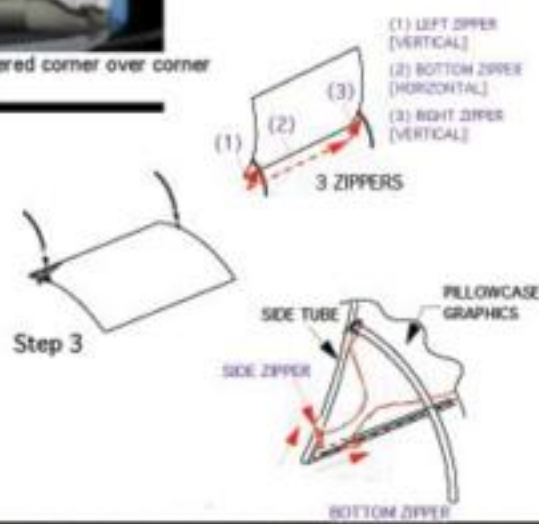


## Fabric Cover Assembly

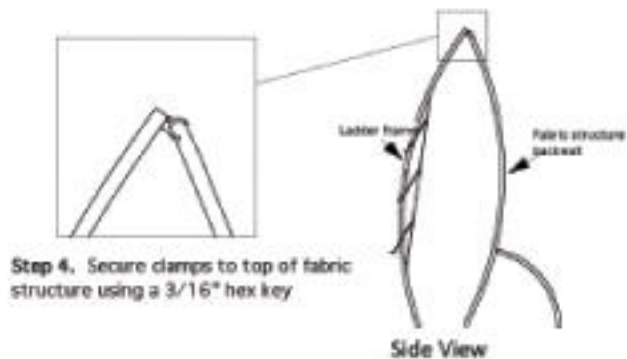
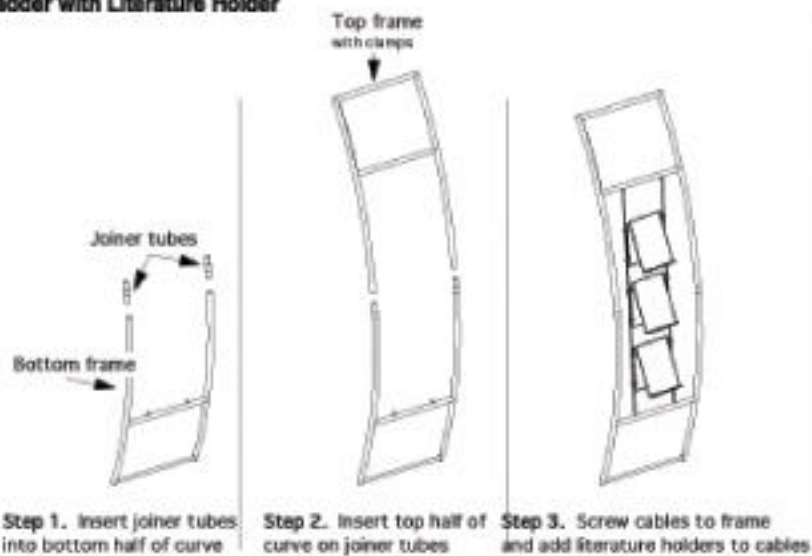
### Wave Vertical Curve

Fabric COVER assembly  
 Step 3. Stretch fabric over frame.  
 -When working with fabric use gloves or clean hands and keep fabric away from dirty surfaces.  
 -Pull fabric over frame. Start all zippers before pulling over the frame. See detail. Work to keep the zippers evenly aligned along the bottom tube.

- Add legs to back of unit  
 Step 4. Stand unit upright.  
 - Adjust leveling feet on back of legs if needed.

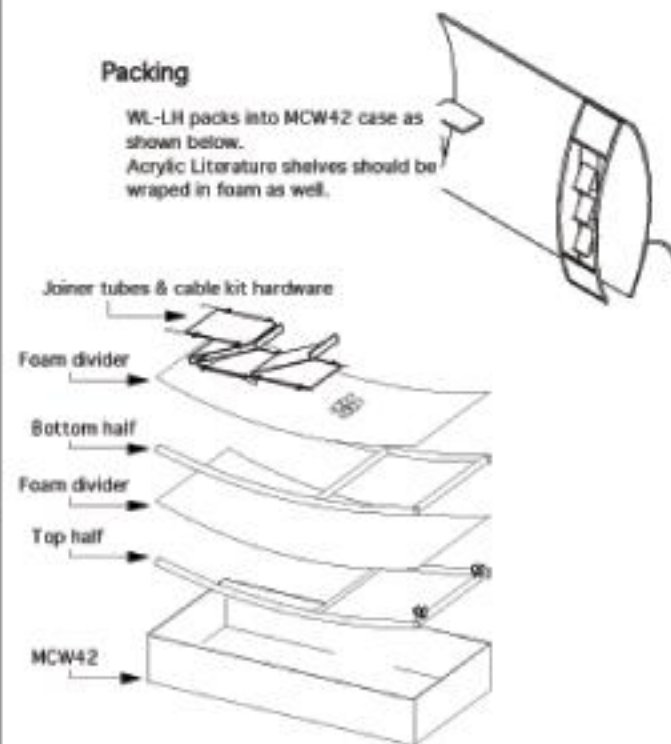


## Ladder with Literature Holder

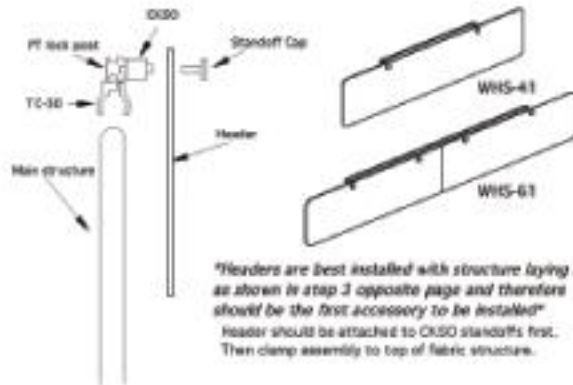


## Packing

WL-LH packs into MCW42 case as shown below. Acrylic Literature shelves should be wrapped in foam as well.



### Graphic Header



### Lighting



Lights may be attached to top of tube with header by using a standard screw slip into the PT header cut. (A)

Lights can also be attached directly to the top of the frame using a TDS slip or U01. (B)

### Accessories

Accessories should be installed after fabric structure is assembled and fabric is put on frame. If using header, install header first.

### Packing

All tubes except side mount counter supports should be put into the tube bag.

Pack tube bag first and unpack last.

Accessories should be packed in middle of case.

Fabric should be folded and put into smaller zippered bag.

Pack fabric bag last and unpack first.

### Shelf Support



Side counter supports should be attached to side of main frame so that top of support is 39" from ground. Then attach counter top to support with thumb screws. WC-R, not shown, attaches to right side of frame.

### Literature Holder



Clamp side mount literature holder to side of main structure. WLH-L, not shown, attaches to left side of frame.

### MGC50

