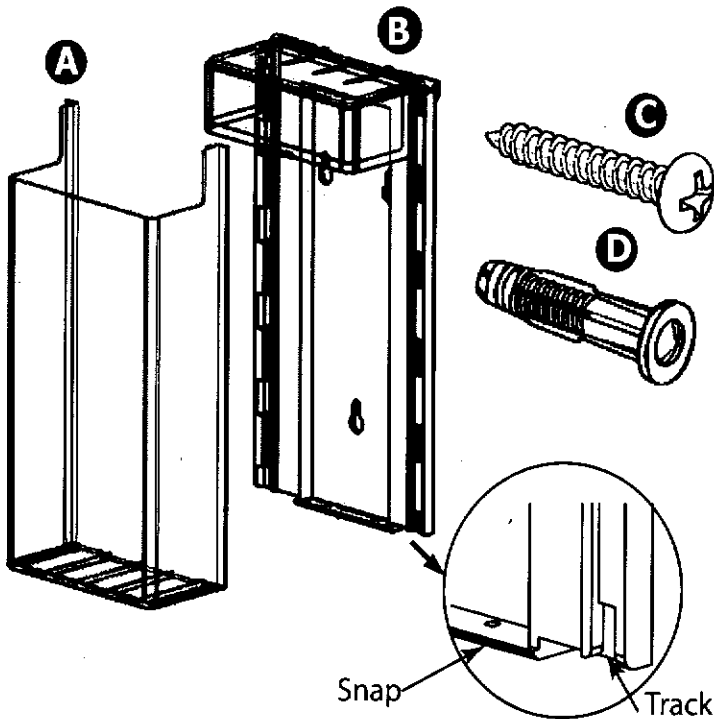


# • Out Door Brochure Holder Mounting Instructions •



## • What Is In The Box •

A.	Brochure Holder, Front	1
B.	Brochure Holder, Back	1
C.	Mounting Screw	3
D.	Wall Anchor	3
E.	Instruction Sheet	1

## • Tape Mounting •

**A smooth, flat surface may be used to mount the brochure holder using the tape supplied.**

1. Select the surface to mount and prepare surface by ensuring it is dry and clean of dirt, dust, oil or any other material which will inhibit the tape's adhesion.
2. Slide Front (A) into tracks on Back (B) and secure at snap at bottom.
3. Peel tape backer from both pieces of tape on back of brochure holder.
4. Position brochure holder and press firmly to surface.

## • Anchor Mounting •

**To secure the brochure holder using the supplied wall anchors and screws use the provided template. A power drill with a 5/16" drill bit and a philips head screw driver are required.**

1. Select the surface to mount and prepare surface by first ensuring there are no electrical or plumbing work in the wall being drilled. Measure the template below to make the hole centers match the printed dimensions.
2. Place a level against the wall at the height desired for the top mounting holes. Strike a level line. Align the two top holes on the template to the struck line.
3. Mark the three holes and drill or drill through the template at each of the three holes into the wall. Drill through dry wall if that is the wall surface. Remove template and insert one wall anchor into each hole.
4. Insert supplied screws into each wall anchor. Allow 1/8" - 1/4" to remain between the bottom of the screw head and the anchor.
5. Place large keyhole slots of Back (B) over screw heads and slide down. Tighten screws until the Back (B) can not be lifted off screws.
6. Slide Front (A) into tracks at bottom of Back (B) and secure at snap at bottom.

