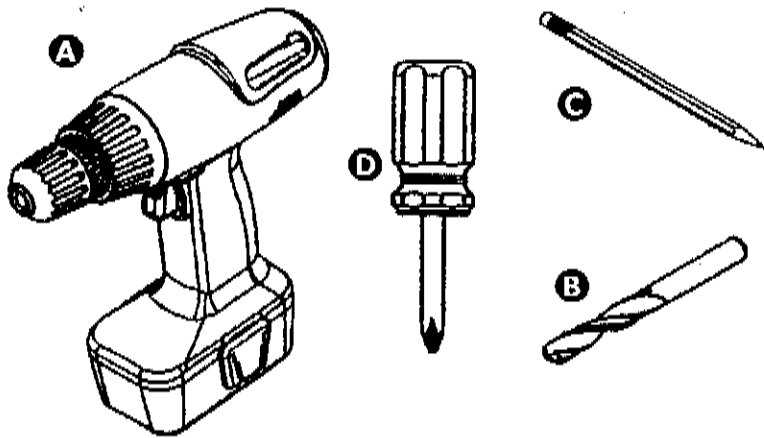
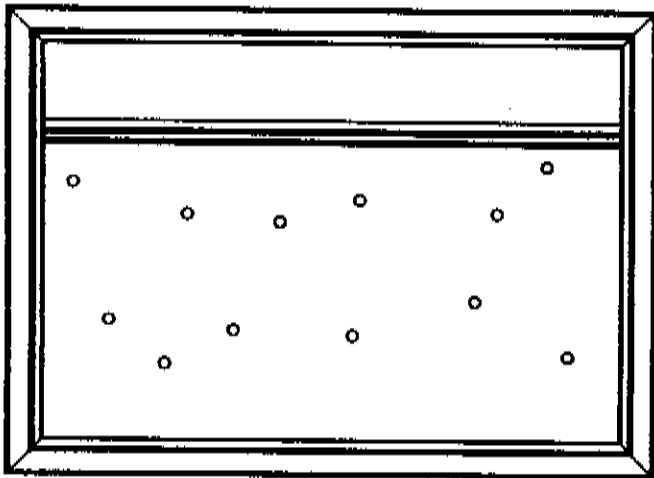


Outdoor Menu Board Mounting Instructions

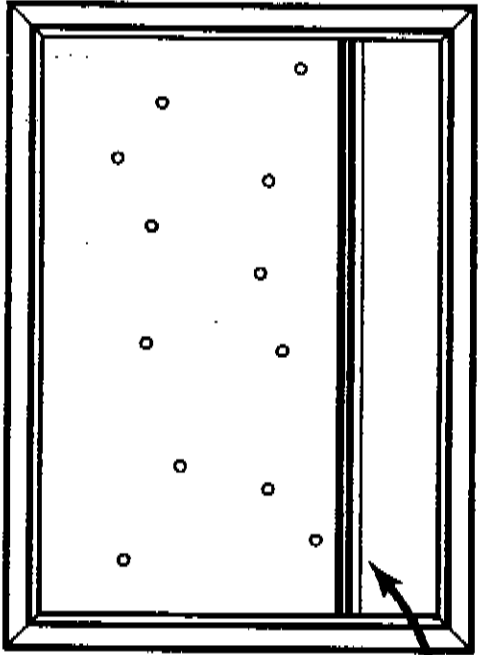


Required Tools	
Description	
A.	Drill
B.	Drill Bit
C.	Pencil
D.	Phillips Screwdriver

1



Landscape



Portrait

Mounting Orientation

The outdoor menu boards may mount in either landscape or portrait orientation.

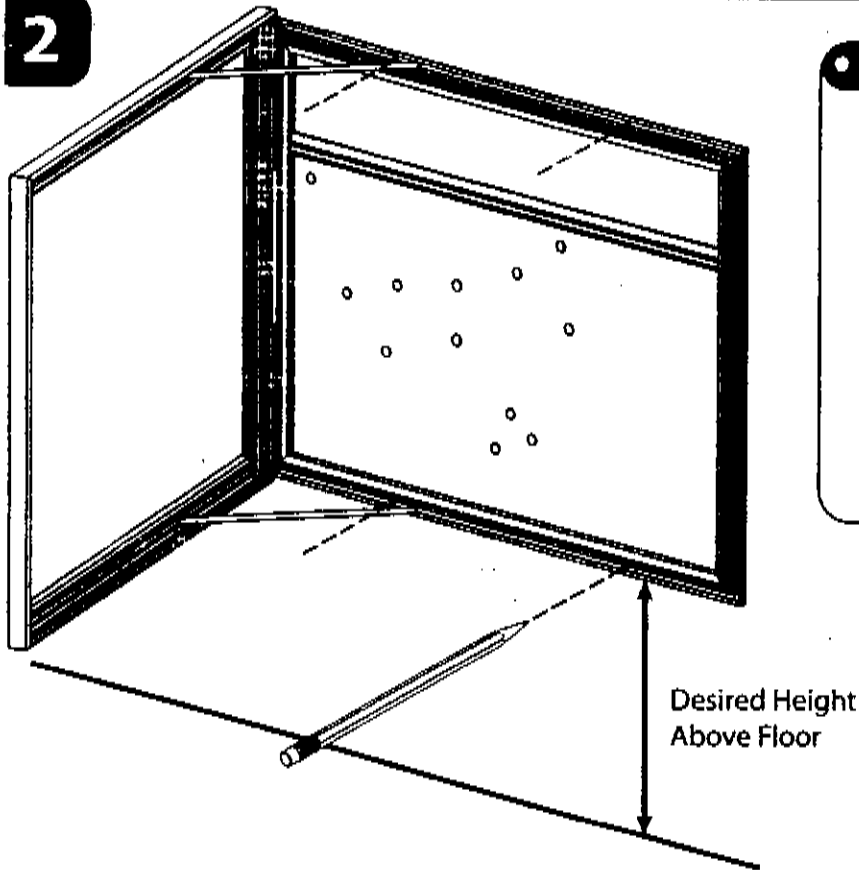
However, some menu boards are sized for specific sheet sizes and arrangements. One mounting method may be best suited over the other to take advantage of the menu board's layout.

If one does not wish to utilize the designed layout for a particular menu board, one may mount the board in either landscape or portrait orientation.

Magnetic Divider is supplied only with menu boards with headers. Divider divides display area in one direction only.

Outdoor Menu Board Mounting Instructions

2



Locate and Mark Holes

Open menu board and place outdoor menu board at desired height and location on wall.

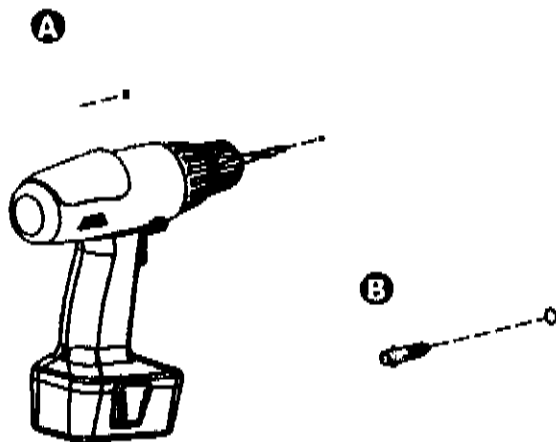
Using a pencil or other marking device, mark location of mounting holes through holes in back of menu board.

Ensure visibility of each mark before removing board from wall to drill holes.

3



***Make sure there are no wires, pipes or other obstructions inside walls at drilling locations.**

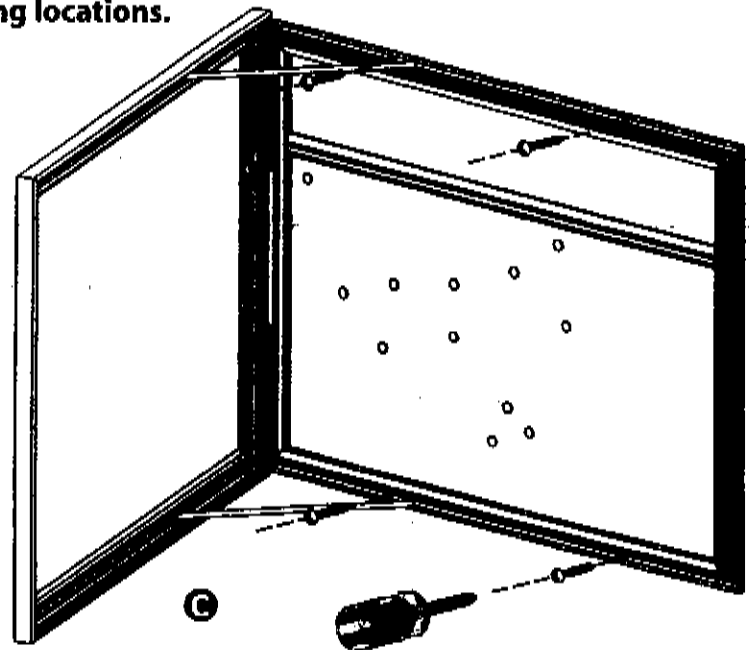


Wall Mounting

A. Drill holes. Depending on the size of the menu board four or more holes are required.*

B. Insert anchors.**

C. Position menu board against wall and aligned to drilled holes. Fasten menu board to wall.**



** Depending on wall structure, fasteners required for hanging menu board may differ from those supplied with board, which may be obtained from a local hardware store.

2

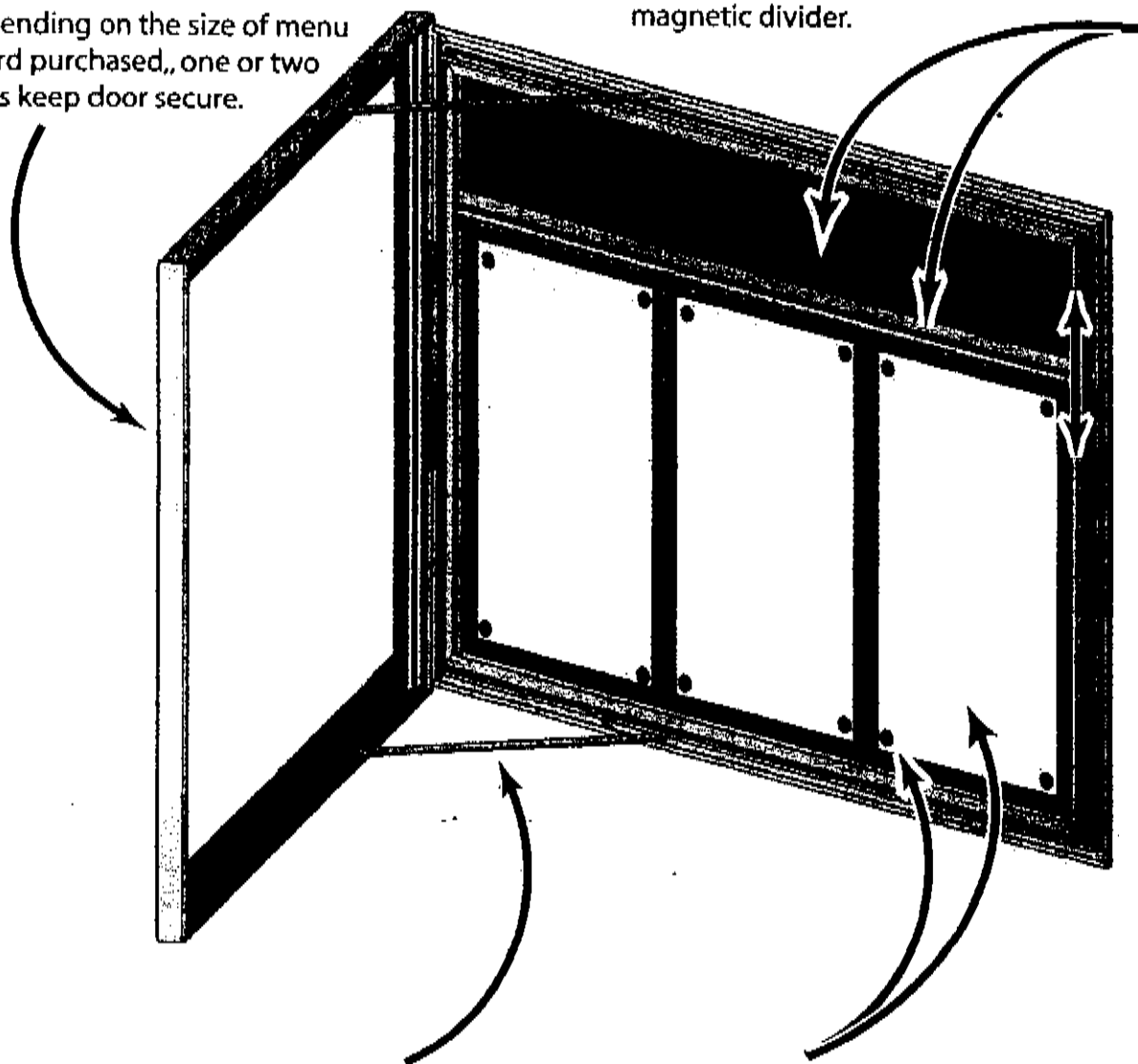
Outdoor Menu Board Mounting Instructions

4

Only menu boards with a header area have a magnetic divider. Adjust divider to size header as desired.

Printed header fits into grooves of frame and under magnetic divider.

Depending on the size of menu board purchased, one or two locks keep door secure.



Folding support arms keep door open while changing or adjusting display items.

Use supplied magnets to secure menu(s) or other display items in menu board.