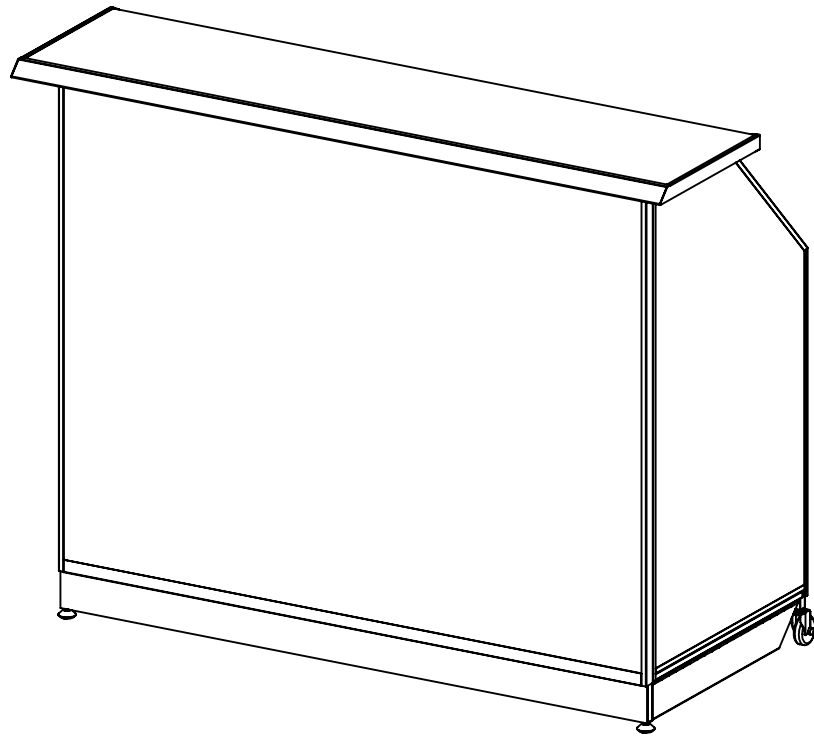
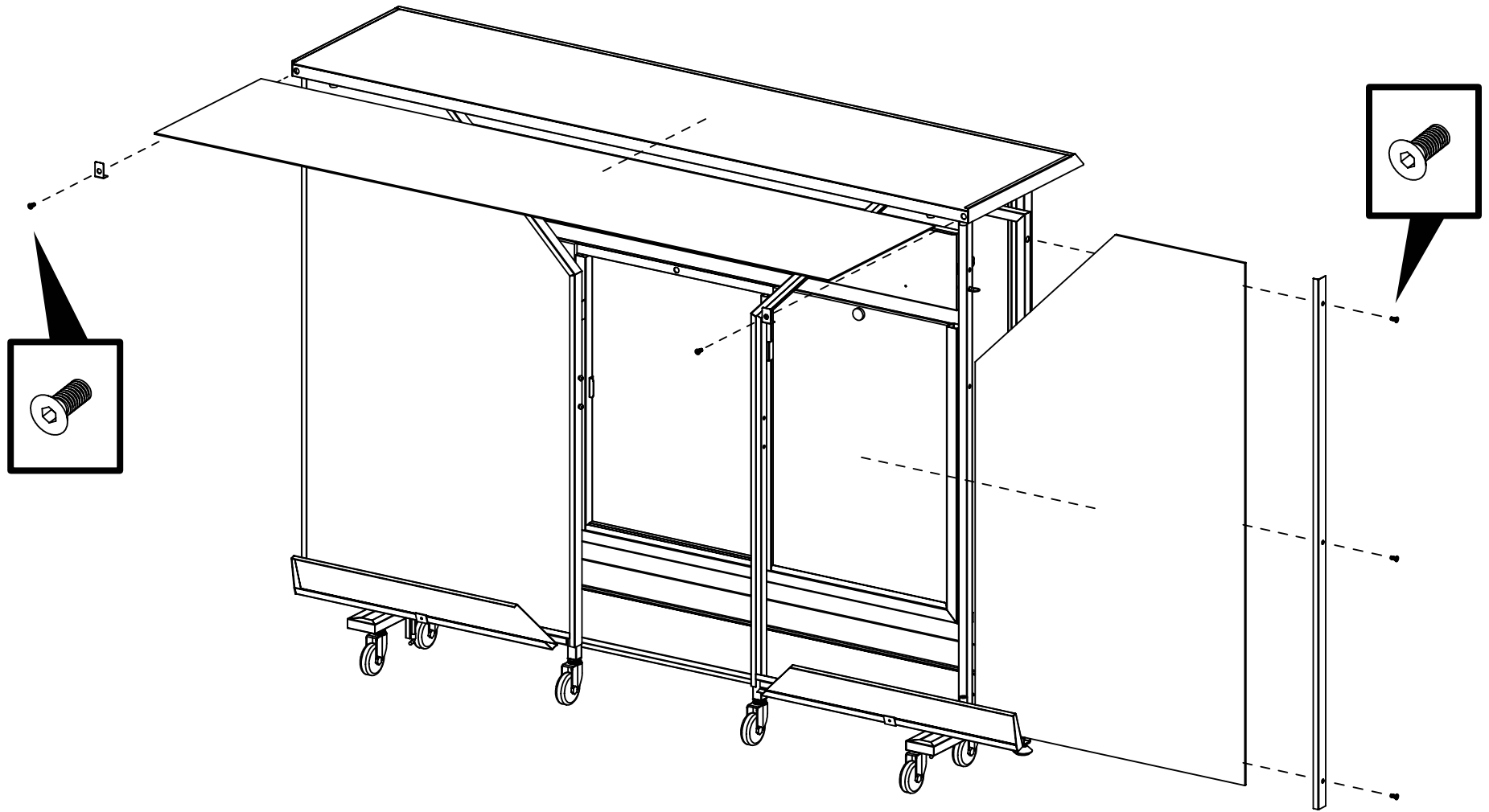




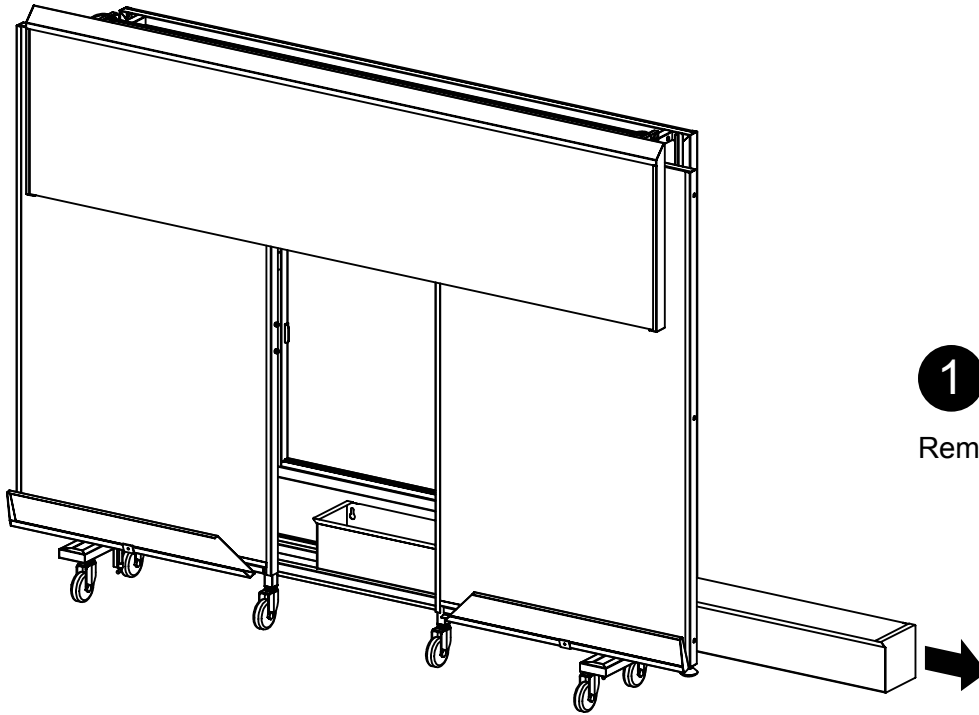
Standard Portable Bar Set Up Guide



Panel installation



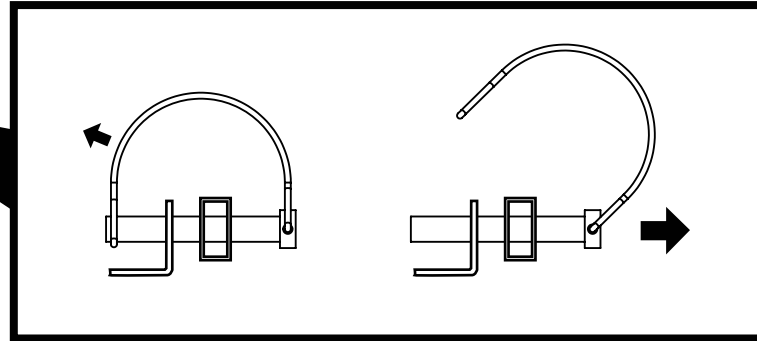
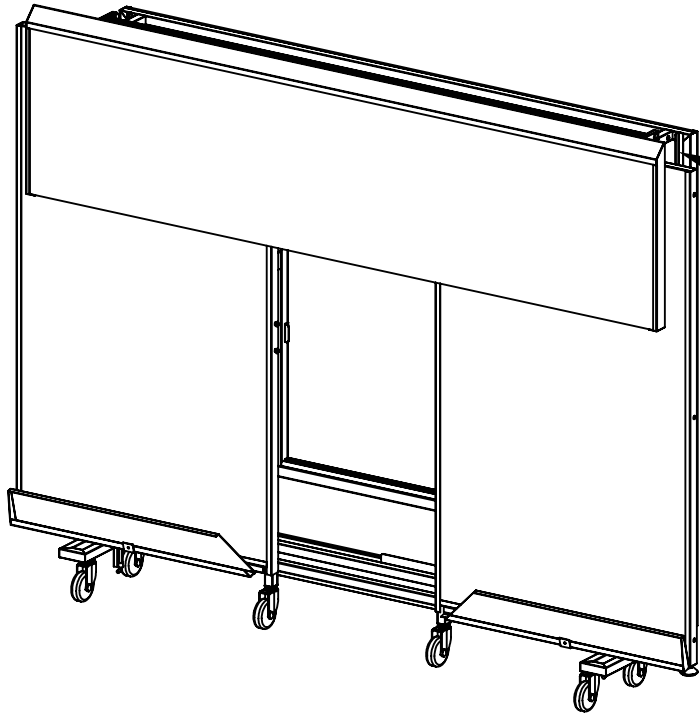
Set up guide



1

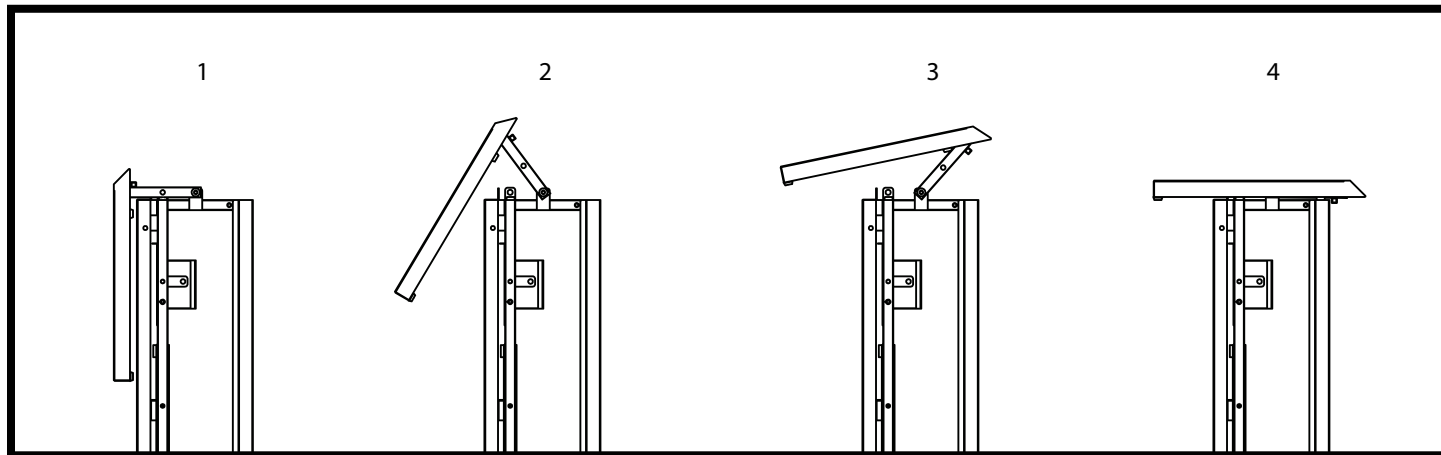
Remove speed rail.

Set up guide



2

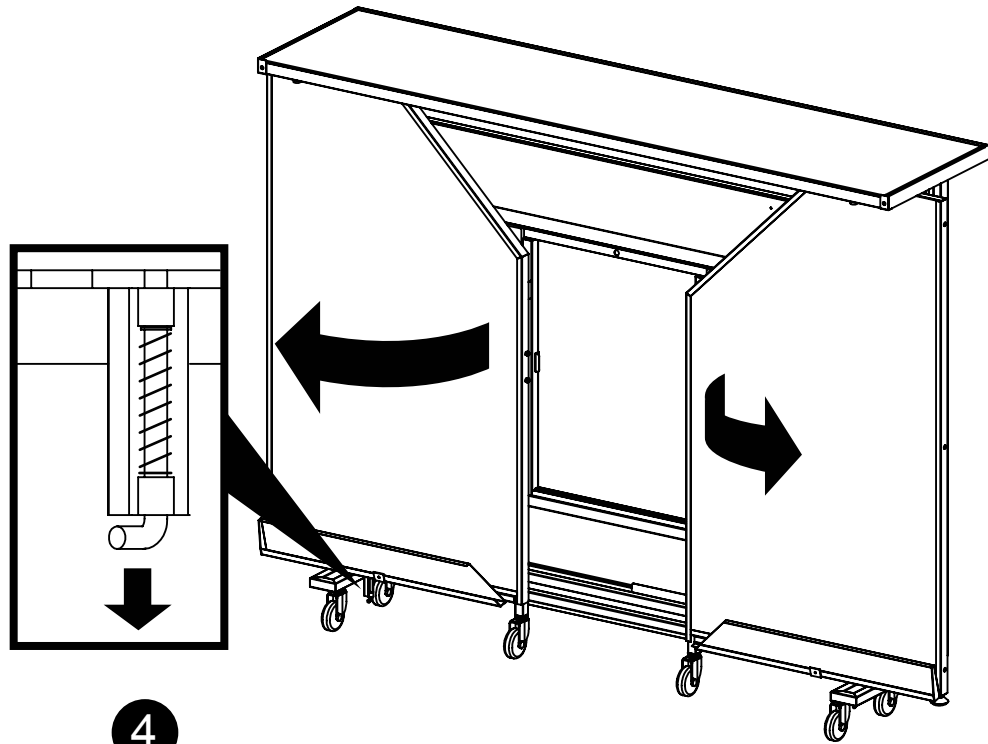
Remove lock pins.



3

Lift up and place counter on the top.

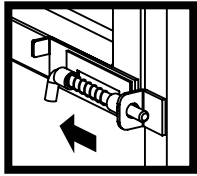
Set up guide



4

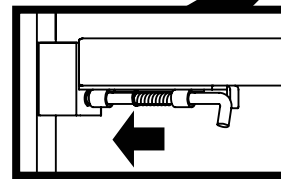
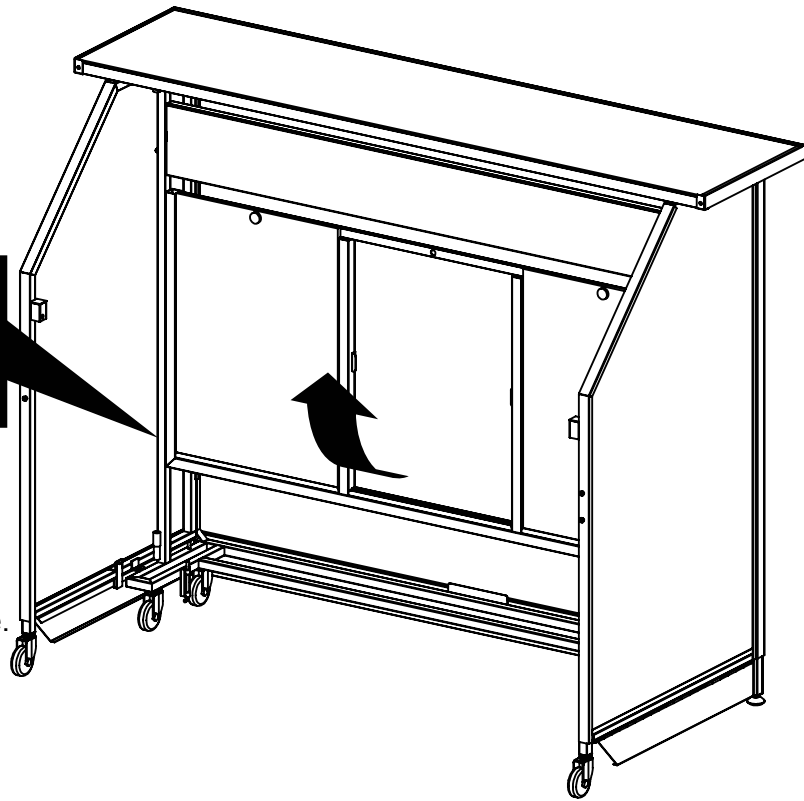
Unlock and swing out
side panels.

Set up guide



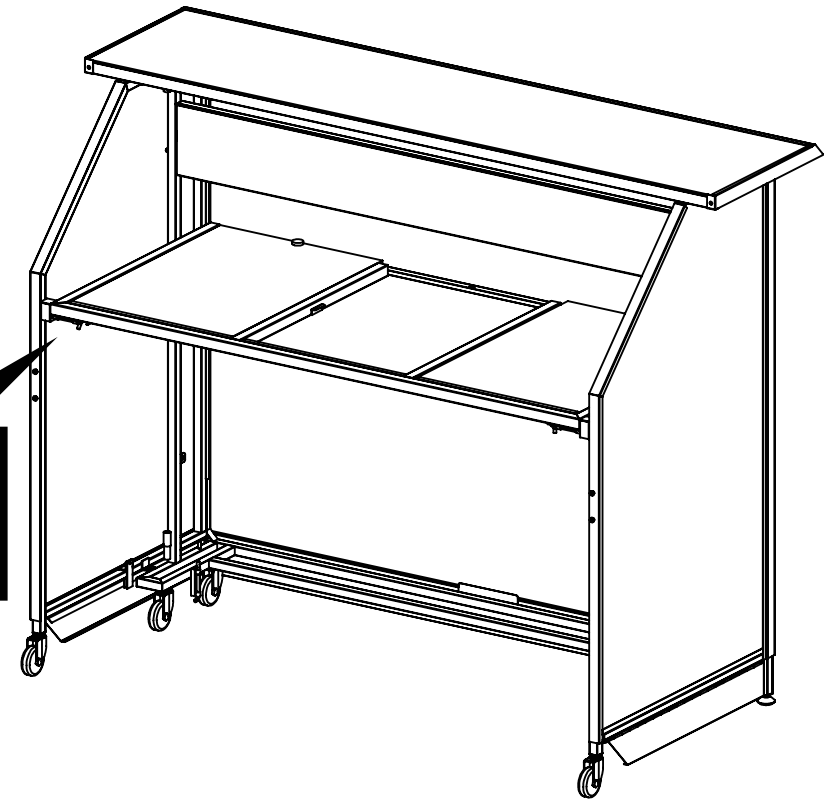
5

Unlock and lift up table frame.

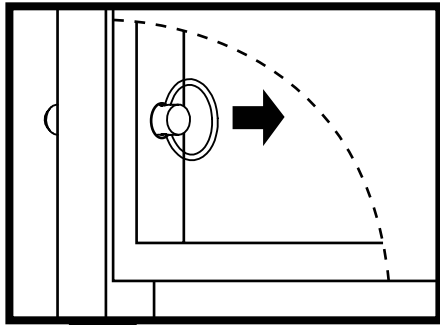


6

Lock table frame into place.

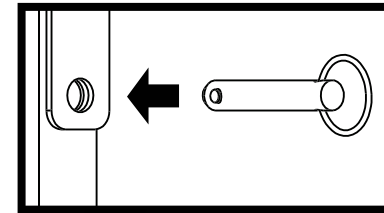
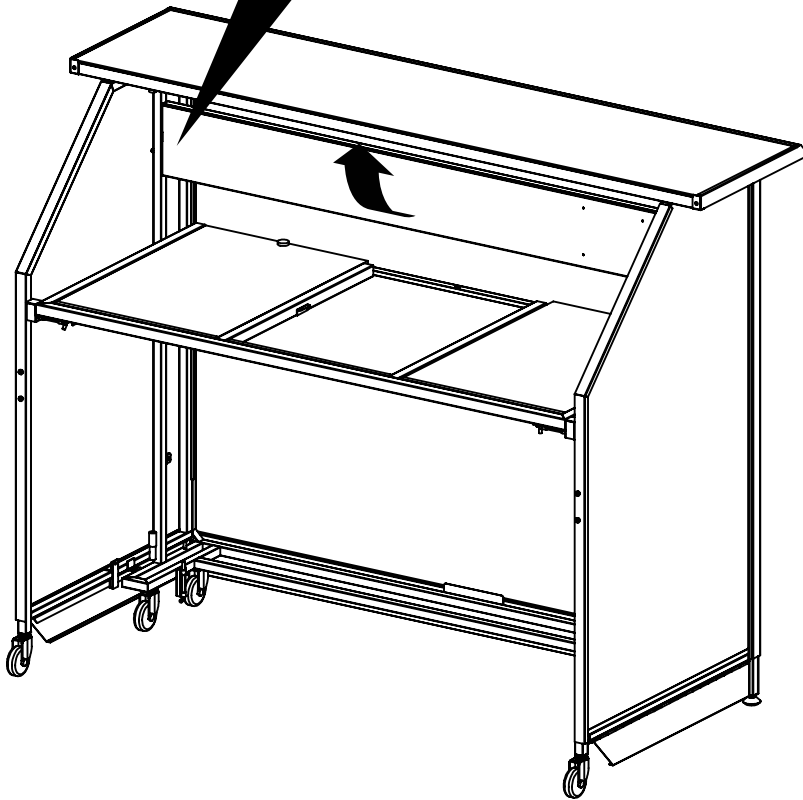


Set up guide



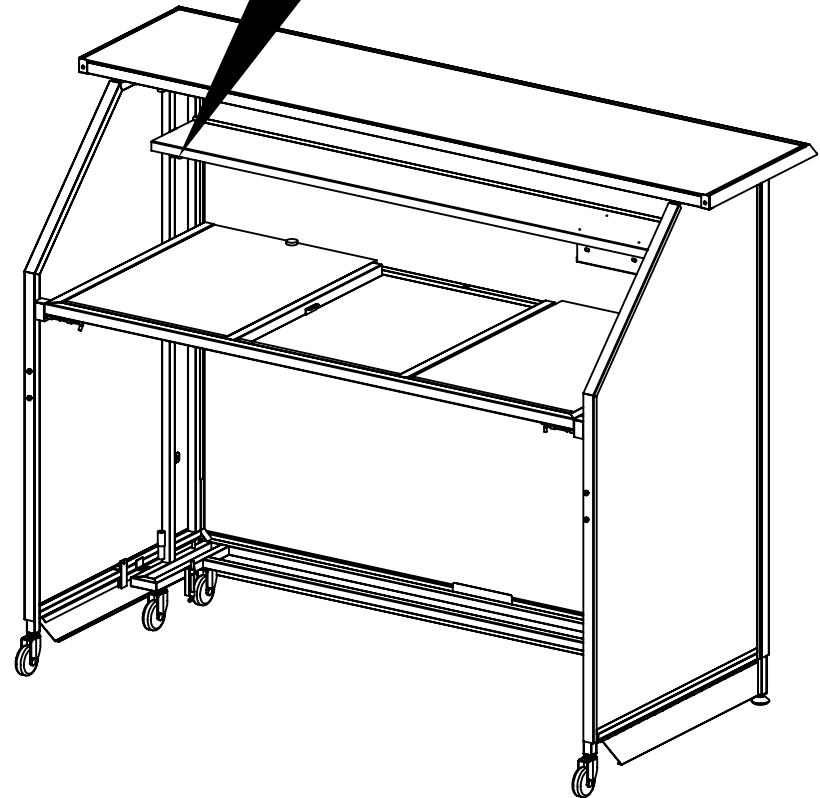
7

Remove pins and flip up shelf.



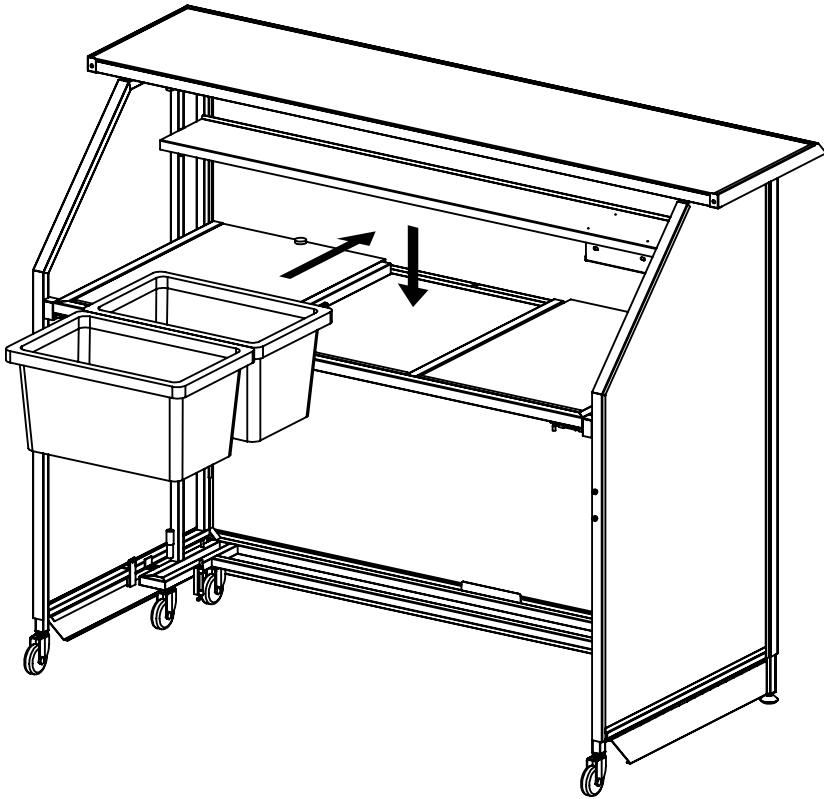
8

Lock shelf into place.

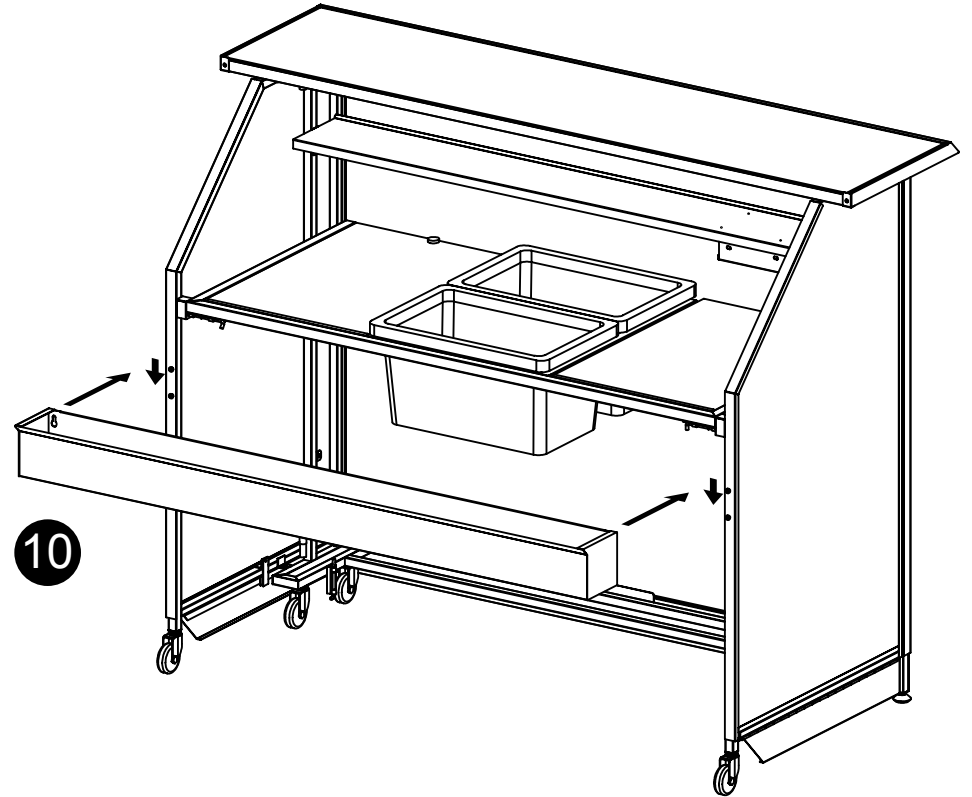


Set up guide

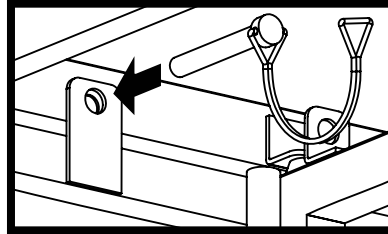
9



10

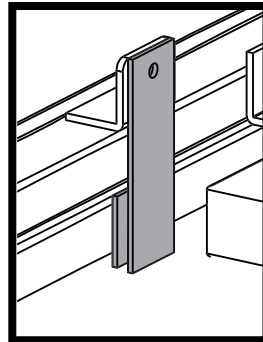


Set up guide



11

Lock counter into place with pins from step 2.



12

Use velcro strap to hold caster cover.
Readjust velcro strap to straighten caster cover if needed.

