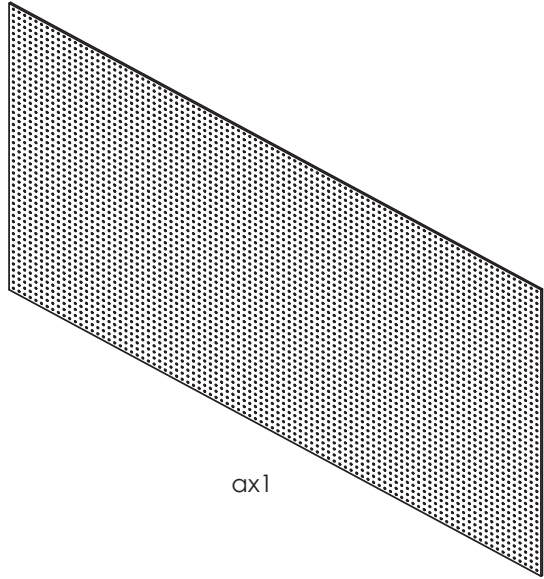


ASSEMBLY INSTRUCTIONS

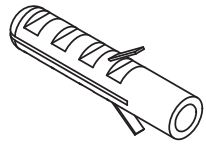
48" X 96" WALL MOUNTING PEGBOARD

DISPLAYS2GO

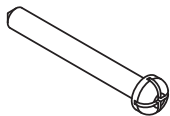
PARTS LIST



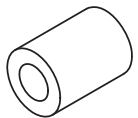
ax1



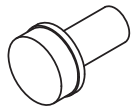
bx13



cx13

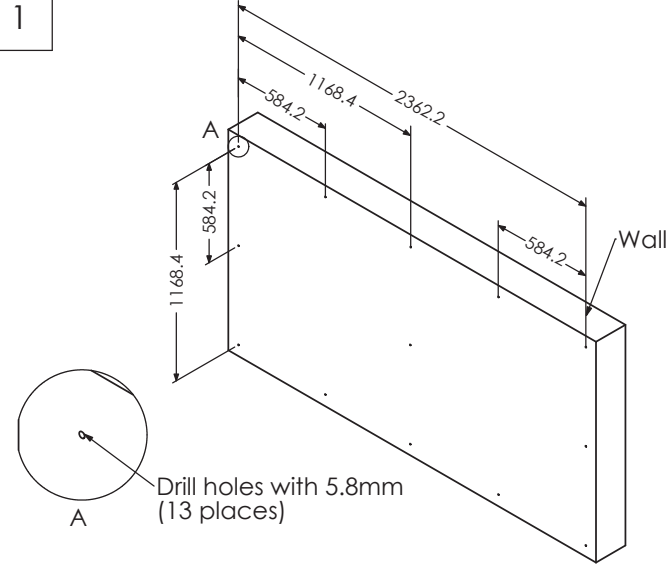


dx13



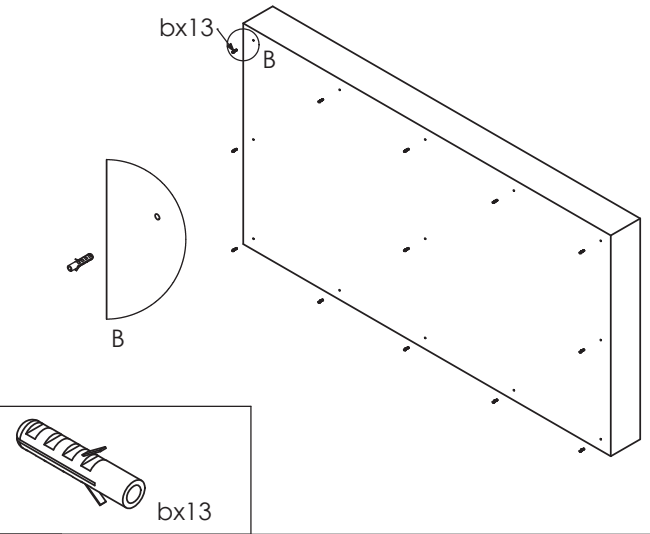
ex13

1

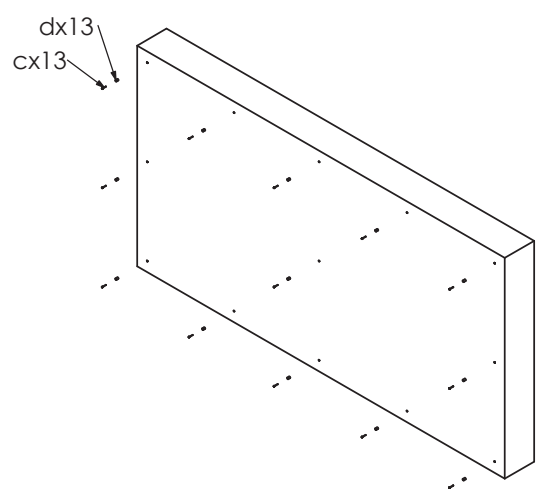


TIP: Mark the hole position with pegboard. Make sure it is level when mark.

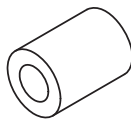
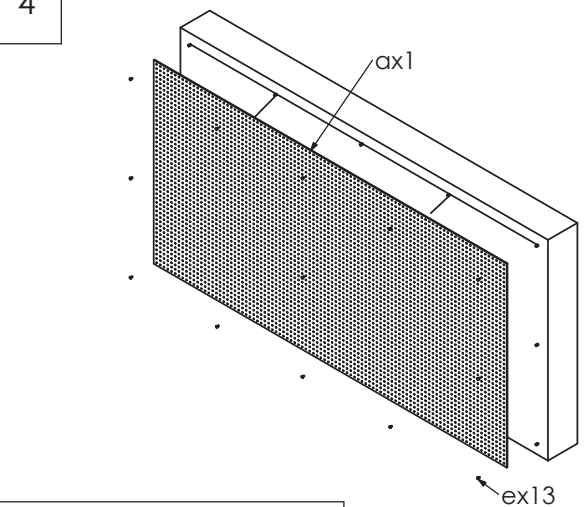
2



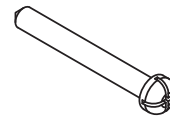
3



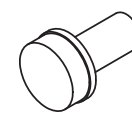
4



dx13



cx13



ex13

If you have any questions regarding our products, please visit us at www.displays2go.com or contact D2G customer service at 844-221-3393.