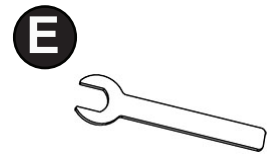
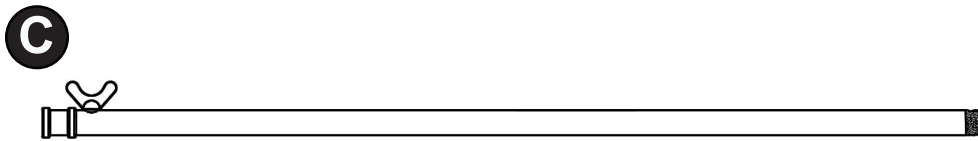
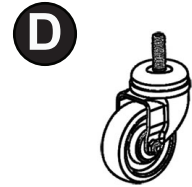
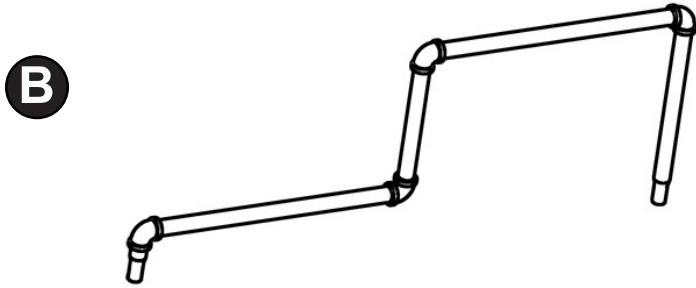
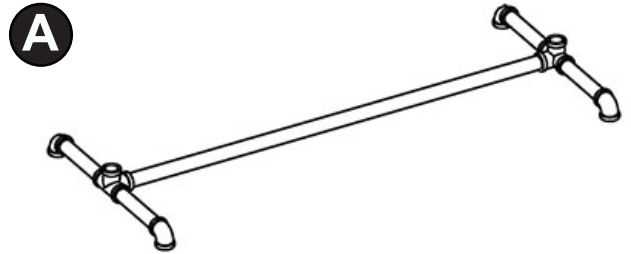


ASSEMBLY INSTRUCTIONS

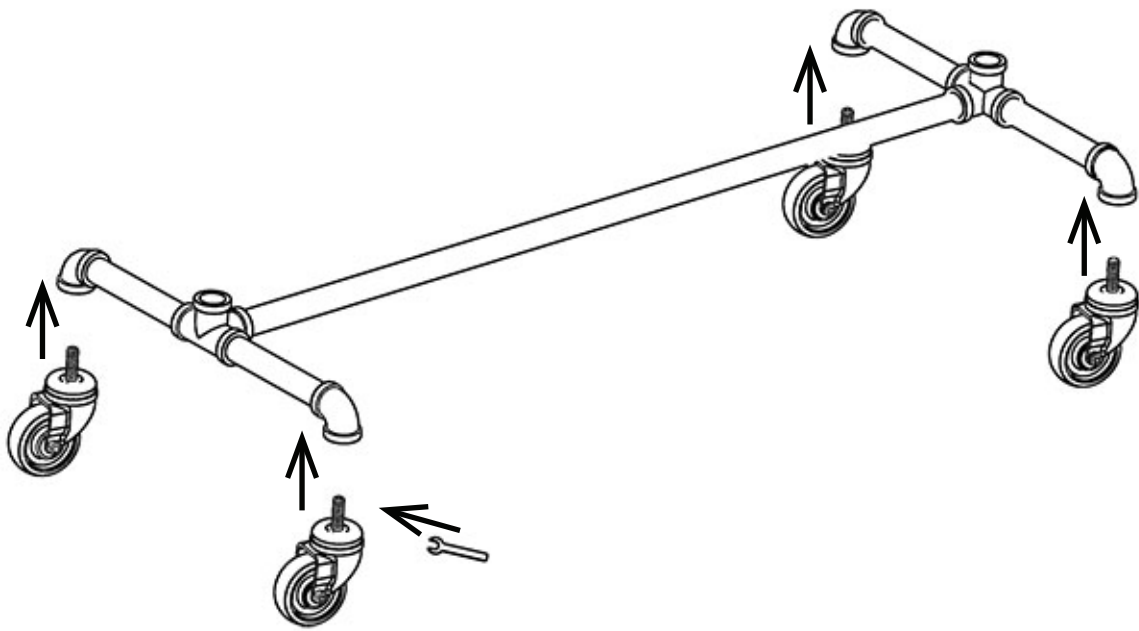
PPLNRCKCRV

PARTS LIST

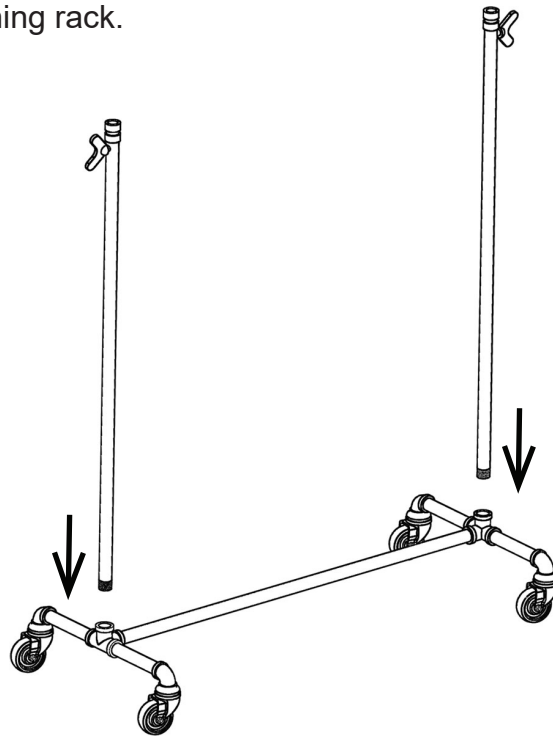
A. Base	X1
B. Hangbar	X1
C. Side Upright	X2
D. Caster	X4
E. Wrench	X1



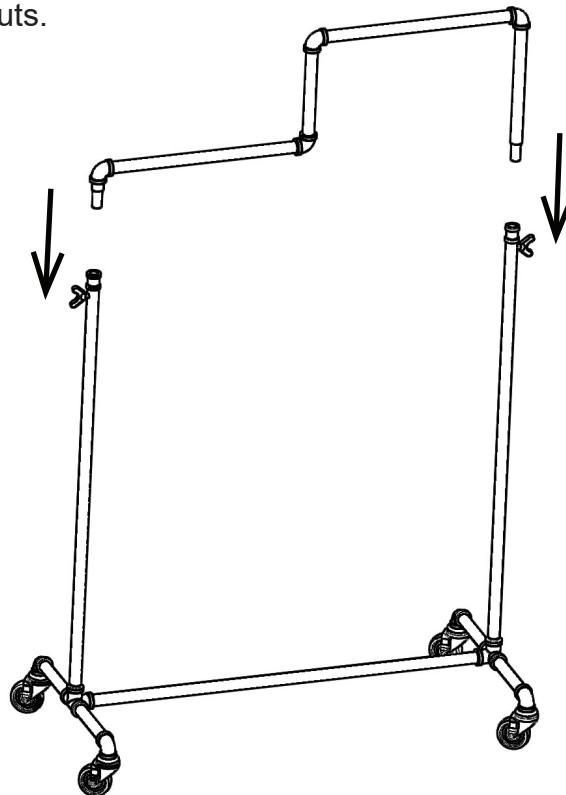
Step 1. Screw (4) Casters into the base using the wrench provided with the unit. Tighten all Casters to secure the cloth rack.



Step 2. Thread each Lower Upright into the base. Before move to next step, tighten uprights completely to secure the clothing rack.



Step 3. Keep the assembly upright. Twist wing nuts on uprights to loosen adjustable connectors. Align Top Hangbar with side uprights as shown, then Insert hangbar into uprights. Drop and lock into position by tighten the nuts.



NOTE: Hardware may loosen overtime. Periodically check that all connections are tight.
Clean with soft, dry cloth. To protect finishing, avoid using chemicals and household cleansers.
Questions? Call 1-800-572-2194.