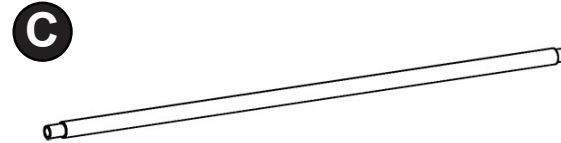
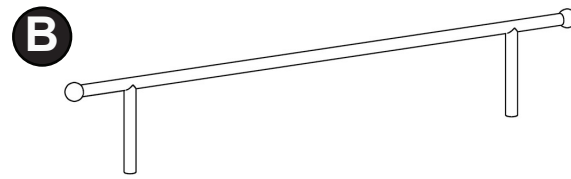
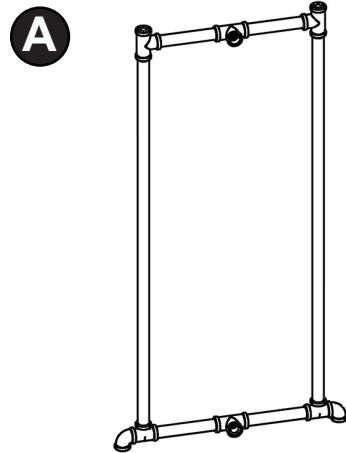


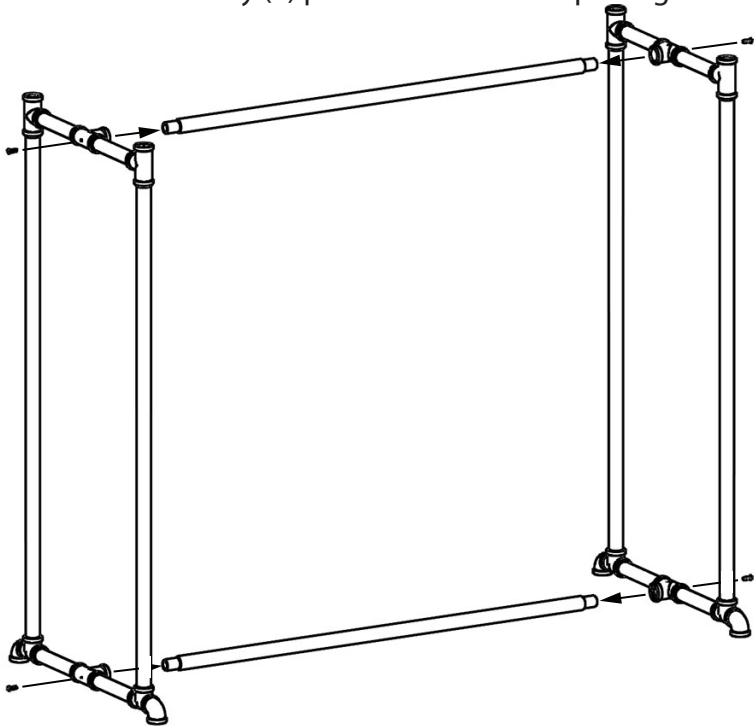
ASSEMBLY INSTRUCTIONS - PPLNRCKDBL

PARTS LIST

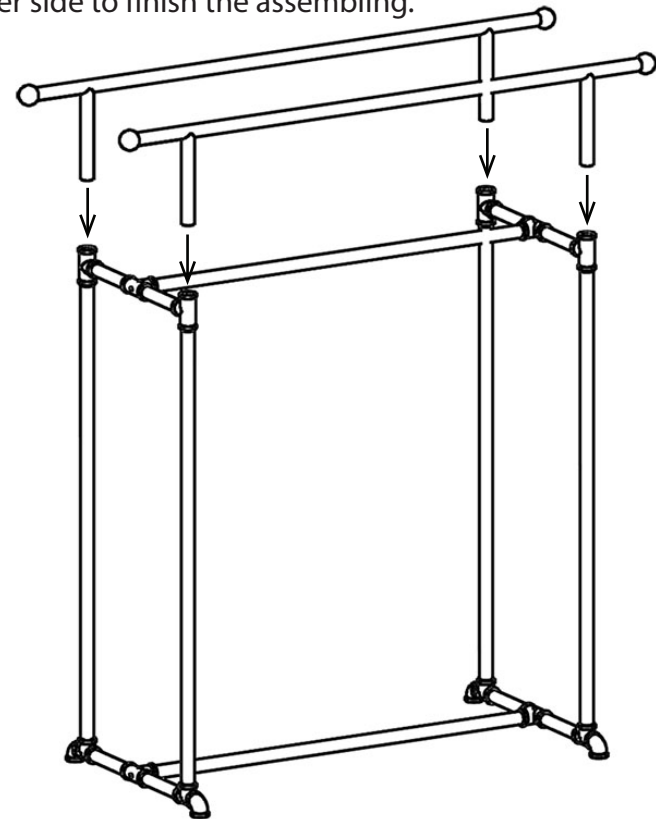
A. Pipe Frame	X2
B. Top Hanging Bars	X2
C. Middle Connector	X2
D. Screw	X4
E. Hex Key	X1



Step 1. Connecting (2) side Pipe frame (A) with (2) Middle Connector (C) no top and bottom as shown. Fasten (2) screws (D) from both sides and tighten them with both Pipe Connectors. Use Hex Key (E) provided within the package.



Step 2. Insert one Top Hanging Bar (B) down into the corresponding holes in the Pipe Frame on one side. Insert the second Top Hanging Bar into the other side to finish the assembling.



NOTE: 3 persons are recommended to finish the assembling the clothing rack.