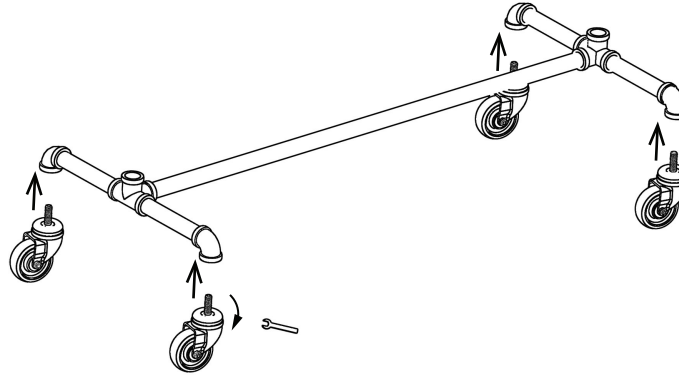


# ASSEMBLY INSTRUCTIONS - PPLNRCKSTR

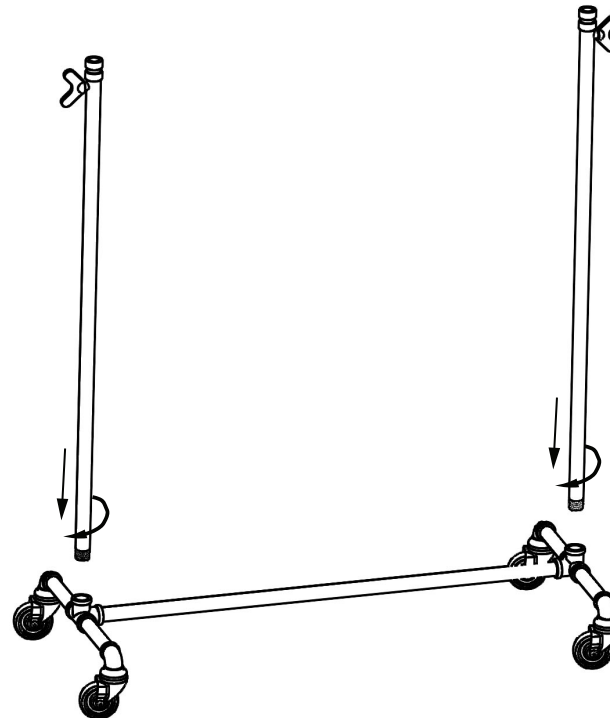
## PARTS LIST

A. Base	X1
B. Hanging Bar	X1
C. Upright	X2
D. Caster	X4
E. Wrench	X1

Step 1. Screw (4) Casters (D) into the base (A) using the wrench (E) provided with the unit.



Step 2. Thread each Upright (C) into the base. Tighten uprights completely to secure the rack.



Step 3. Twist wing nuts on lower uprights to loosen adjustable connectors. Insert Hanging Bar (B) and drop it to desired height and lock into position by tighten the nuts. Adjust the height of the Hanging Bar as needed.

