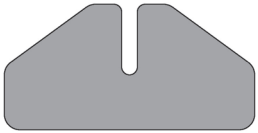


PRIZE PUTT

Instructions

Parts



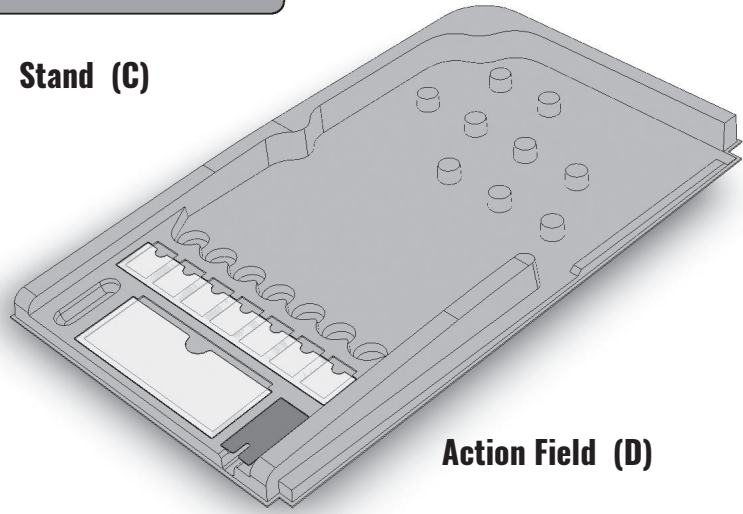
Foot (A)



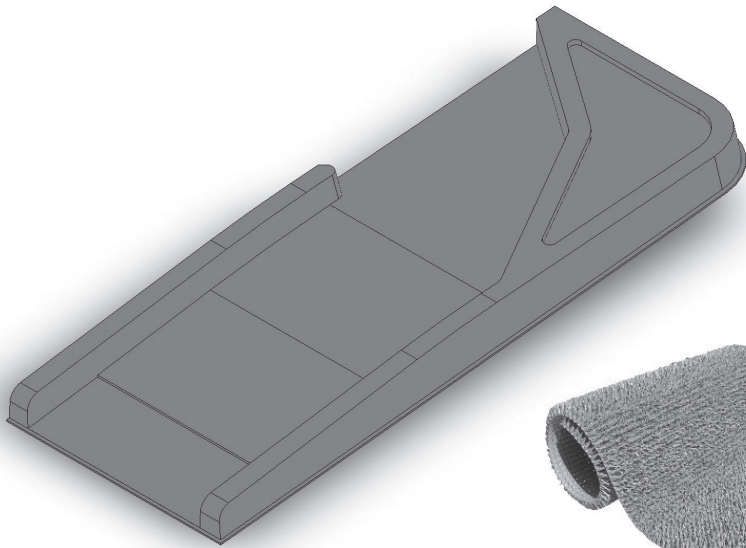
Support (B)



Stand (C)



Action Field (D)



Ramp Side (E)



Astroturf



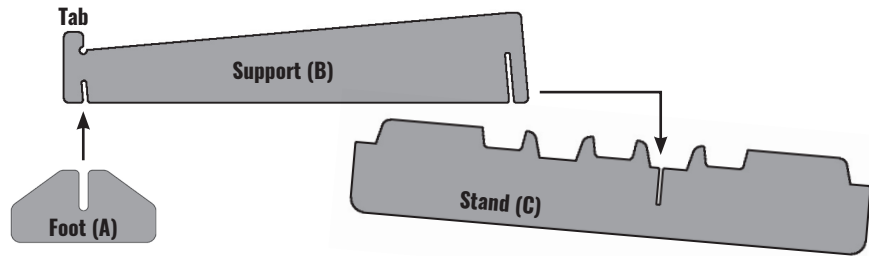
Putter



3 Golf Balls

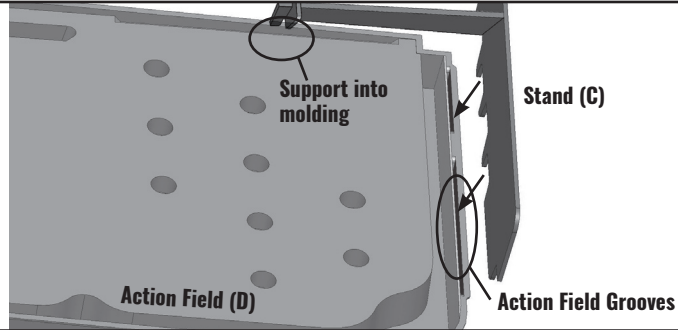
Step 1: Assemble the Stand

First, attach the foot (A) onto the support (B). Next, attach the support onto the stand (C), making sure they're at a 90° angle to each other. The notch in the stand should be on your right, when facing it.



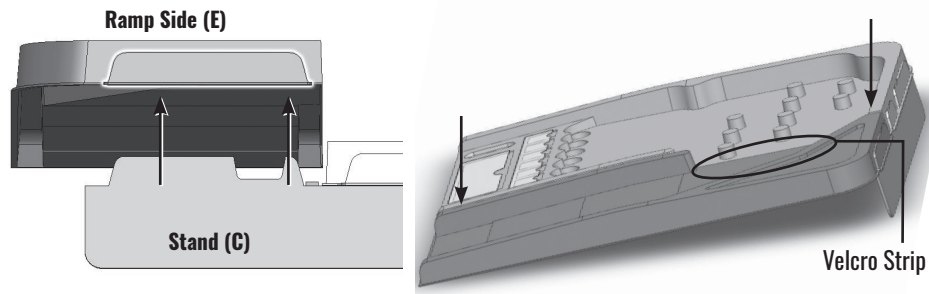
Step 2: Attach Action Field to the Stand

On a soft surface, put the action field (D) face down, insert the left-hand prongs of the stand (C) into the grooves at the back of the action field, making sure that the tab of the support (B) is inside the right hand molding of the action field, lined up with the velcro strip.



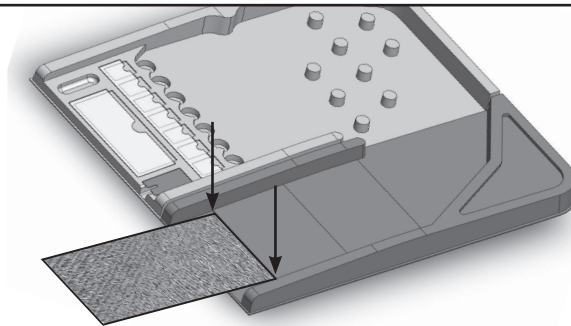
Step 3: Attach Ramp Side

Holding the action field with one hand, turn the game over. Line up the ramp side (E) with the right side of the stand (C). Insert the stand prongs into the grooves at the back of the ramp side. Press down on the Velcro strip to ensure a solid fit.



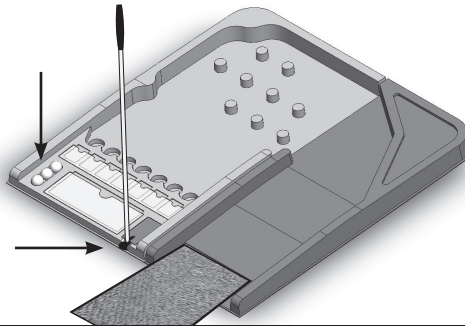
Step 4: Apply AstroTurf

Using the velcro strip, attach AstroTurf pad to the indent at the base of the ramp side.



Step 5: Accessory Placement

Place the three golf balls in to the holder at the base of the Action filed. Using the built in catch, place the putter in its slot next to the ball holder.



Step 6: Attach Optional Header Plate

If you've purchased the optional header plate, place it with its graphics in the slots at the back of the prize putt game.

