



HD Mini Projector

DISPLAYS2GO

CONTENTS

Caution.....	2
Warning!.....	5
FCC Information.....	6
Specifications.....	10
Projector Compatibility.....	11
Cables and Adapters Included In the Box.....	11
Apple® Devices.....	12
Other Devices.....	13
Android™ Devices.....	14
Streaming Devices.....	15
Operating the Projector.....	17
Setup.....	17
Audio.....	20
Charging with the Projector.....	22
Troubleshooting.....	23

CAUTION

- TO REDUCE THE RISK OF ELECTRIC SHOCK, DO NOT REMOVE COVER. THERE ARE NO SERVICEABLE PARTS INSIDE
- TO REDUCE THE RISK OF FIRE OR ELECTRIC SHOCK, DO NOT EXPOSE THIS UNIT TO RAIN OR MOISTURE.



The lightning flash with arrow-head symbol within an equilateral triangle is intended to alert the user to the presence of uninsulated “dangerous voltage” within the unit’s enclosure that may be of sufficient magnitude to constitute a risk of electric shock



The exclamation point within an equilateral triangle is intended to alert the user to the presence of important operating and maintenance (servicing) instructions in the literature accompanying the unit.

IMPORTANT SAFETY INSTRUCTIONS

All of the safety and operating instructions should be read, adhered to and followed before the unit is operated.

SAVE THESE INSTRUCTIONS!

DANGER

To reduce the risk of electric shock, burns, fire or injury:

1. Do not use while bathing or in a shower.
2. Do not place or store unit where it can fall or be pulled into a tub or sink.
3. Do not place in, drop or submerge in water or other liquid.
4. Do not reach for unit that has fallen into water. Unplug it immediately.
5. Care should be taken so that objects do not fall and liquids are not spilled onto the unit.

WARNING

1. Close supervision is necessary when this appliance/product is used by or near children or mentally disabled individuals.
2. Use this unit only for its intended use as described in this manual.
3. Unplug this unit during lightning storms or when unused for long periods of time.
4. Never drop or insert an object into any opening.
5. Protect the adapter cord from being walked on or pinched, particularly at plug outlets, convenience receptacles and the point where it exits the unit.
6. Do not allow adapter cord to touch hot surfaces. Wrap cord loosely around the unit when storing.

7. The unit should be situated away from direct sunlight or heat sources such as radiators, electric heaters, heat registers, stoves, or other units (including amplifiers) that produce heat. Avoid placing on top of stereo equipment that radiates heat.
8. Never block the air openings of the unit with materials such as clothing, plastic bags or papers, or place it on a soft surface such as a bed or couch, where the air openings may be blocked.
9. Do not overload electrical outlet. Use only the power source as indicated.
10. Do not carry this unit by cord or use cord as handle.
11. Never operate this unit if it has a damaged cord or plug, if it is not working properly, or if it has been dropped or damaged, or dropped into water. If the unit's power supply cord or plug is damaged, do not attempt to fix it yourself.
12. To avoid the risk of electric shock, do not disassemble or attempt to repair the unit. Incorrect repair can cause risk of electric shock or injury to persons when unit is used.
13. Do not operate in the presence of explosive and/or flammable fumes.
14. Never remove the plug from the socket by pulling the power cord.

WARNING!

THIS PRODUCT CONTAINS A RECHARGEABLE BATTERY

- Do not store this product in high temperatures, damp areas, or in direct sunlight.
- Never disassemble the product.
- Never dispose of the product in fire or water, which may result in explosion and/or injury.
- Keep product out of reach of children.
- Do not touch product with damp hands.
- Dispose of the product properly.
- The product must not be discarded with ordinary household waste.
- Contact your local recycling center for proper disposal.

FCC INFORMATION

This device complies with part 15 of the FCC rules. Operation is subject to the following two conditions:

- 1) This device may not cause harmful interference, and
- 2) This device must accept any interference received including interference that may cause undesired operation.

WARNING: Changes or modifications to this unit not expressly approved by the party responsible for compliance could void the user's authority to operate the equipment.

CAUTION: To maintain compliance with the FCC's RF exposure guidelines, place the product at least 8 inches from nearby persons.

NOTE: This equipment has been tested and found to comply with the limits for a Class B digital device, pursuant to Part 15 of the FCC Rules. These limits are designed to provide reasonable protection against harmful interference in a residential installation. This unit generates, uses, and can radiate radio frequency energy and if not installed and used in accordance with the instructions, may cause harmful interference to radio communications. However,

there is no guarantee that interference will not occur in a particular installation. If this equipment does cause harmful interference to radio or television reception, which can be determined by turning the equipment off and on, the user is encouraged to try and correct the interference by one or more of the following measures:

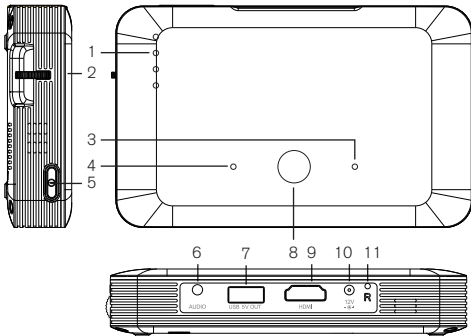
- Reorient or relocate the receiving antenna.
- Increase the separation between the equipment and receiver.
- Connect the equipment to an outlet on a circuit different from that to which the receiver is connected.
- Consult the dealer or an experienced radio/TV technician for help.

Shielded cables must be used with this unit to ensure compliance with the Class B FCC limits.

CAUTION: The radiated output power of the Wi-Fi technology is below the FCC radio frequency exposure limits. Nevertheless, it is advised to use the wireless equipment in such a manner that the potential for human contact during normal operation is minimized.

LOCATION OF PARTS AND CONTROLS

1. Battery indicator lights
2. Focus wheel
3. Volume up control
4. Volume down control
5. Power button
6. 3.5mm Audio out
7. USB out (5V/1A)
8. Mode control
9. HDMI Input
10. DC input (12V/2A)
11. Reset Button

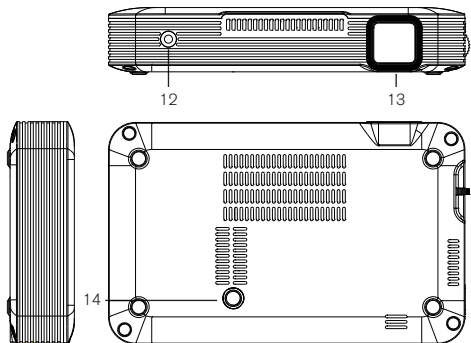


LOCATION OF PARTS AND CONTROLS

12. Ambient light sensor

13. Lens

14. Tripod Dock



SPECIFICATIONS

Product Dimensions	3.3" x 5.3" x 1"
Brightness	Up to 100 Lumens*
Lamp Life	LED lamp with up to 20,000 hours
Image Size	Up to 100"
Distance	2ft to 10ft
Throw Ratio	1.66
Contrast Ratio	400:1*
Native Resolution	1280 x 720 (720p)
Aspect Ratio	16:9
Built-in Speaker	2 1-watt speakers
Power	DC 12V/2A
Auto Keystone	+/- 30 degrees auto vertical keystone correction
Battery	Li-polymer, 5,000 mAh

*TI's DLP® IntelliBright™ technology dynamically adjusts the projector brightness range for each individual pixel based on image content and the ambient room light level.

PROJECTOR COMPATIBILITY

- ◆ Included in the box
- ◇ Purchase separately

CABLES AND ADAPTERS INCLUDED IN THE BOX



AC Adapter



HDMI® to HDMI Cable



Micro HDMI Adapter

APPLE® DEVICES

DEVICE	WIRELESS CONNECTION	WIRED CONNECTION
iPhone® 6 iPhone 6 Plus iPhone 5s iPhone 5c iPhone 5 iPod touch® 5th Gen iPad Air iPad® Mini iPad 4	Miroir Projector App required*	◇ Lightning™ Digital AV Adapter ◆ HDMI Compatible Cable
iPhone 4s iPad 3 iPad 2	Miroir Projector App required*	◇ 30-Pin Digital AV Adapter ◆ HDMI Compatible Cable



Download on the
App Store

***NOTE:** iOS 7 or later required. See the App store for more information. Wireless viewing is limited with iOS to certain file types such as native video, photos, .PPTX, .KEY, and .PDF.

DEVICE	WIRELESS CONNECTION	WIRED CONNECTION
MacBook Pro® with Retina display Mac Mini Mac Pro	Not available	◆ HDMI Compatible Cable
MacBook Air® MacBook Pro iMac®	Not available	◇ Mini DisplayPort to HDMI Adapter ◆ HDMI Compatible Cable
Apple TV	Not available	◆ HDMI Compatible Cable

OTHER DEVICES

GoPro®	Not available	◆ Micro HDMI Adapter ◆ HDMI Compatible Cable
--------	---------------	---

ANDROID™ DEVICES

DEVICE	WIRELESS CONNECTION	WIRED CONNECTION
Samsung Galaxy S® 6	Requires Android OS 4.4 or later and wireless screen mirroring capability	Not Available - device does not support video out
Samsung Galaxy Note® 4 Samsung Galaxy Note® 3 Samsung Galaxy S 5 Samsung Galaxy S 4	Requires Android OS 4.4 or later and wireless screen mirroring capability	◇ Samsung MHL Micro USB to HDMI HDTV Adapter ◇ HDMI Compatible Cable ◇ Micro USB to USB Power Cable

STREAMING DEVICES

DEVICE	WIRELESS CONNECTION	WIRED CONNECTION
Roku® Apple TV® Amazon Fire TV U-verse®	Not available	◆ HDMI Compatible Cable
Roku® Streaming Stick®	Not available	Plugs directly into the HDMI compatible port on the projector
Google Chromecast Amazon Fire TV Stick	Not available	Plugs directly into the HDMI compatible port on the projector*

***NOTE:** Both the Chromecast and the Amazon Fire TV Stick require a power source. The USB power cable that comes with both these units can be plugged into the USB Out port on the projector or can be plugged into a wall outlet with the power adapter.

CHARGING THE BATTERY

1. The built-in battery is charged using the included AC adapter.

IMPORTANT: Fully charge the battery before first use (approx. 4-5 hours).

2. The battery has 4 battery charge indicator lights. The lights will flash in turn as the device charges. The battery is fully charged when all 4 lights are lit and no longer flash.

3. Check the battery life by briefly pushing the power button. The indicator lights will illuminate indicating the amount of battery remaining (for example, if 3 lights illuminate, there is approximately 75% of the battery life remaining).

OPERATING THE PROJECTOR

SETUP

The projector can be powered using the included AC adapter or the built-in battery.

- To power the projector with AC power, connect the AC adapter to the projector's DC input and plug the other end into an outlet. Once connected, the battery indicator lights will illuminate on the projector showing the amount of battery power remaining.
- To power the projector with the built-in battery, simply turn the projector on. To check the remaining battery life of the projector press the power button briefly.

IMPORTANT: Fully charge the battery before first use (approx. 4-5 hours).

CONNECT A SOURCE DEVICE

The projector can be connected to a variety of HDMI compatible devices via a wired connection and to some smartphones and tablets via a wireless connection.

IMPORTANT: Before you power on the projector, please be sure to check that there is nothing blocking the ambient light sensor on the front of the projector (the location of this sensor can be seen in Locations and Parts diagram on page 8). Blocking this sensor may impact the IntelliBright adjustments the projector makes which optimizes the projected image.

WIRED CONNECTION

1. To connect via a wired connection, plug in the HDMI compatible cable (included in the box) to the HDMI compatible port on the projector and to your device.

NOTE: Some devices may require an adapter to connect to your device To determine what type of adapter you need to use, please reference the Compatibility section of this manual.

2. Power on the projector by pressing and holding the power button for 3 seconds.
3. Allow the projector 15 to 30 seconds to fully start up, sync with your device and make image adjustments.

NOTE: After syncing with the projector, you may see your device's screen being mirrored by the projector. Some devices may not have this ability, but they can still be used with the projector to project videos, and photo slide shows.

4. Choose the media you would like to view from the menu on your device and play as you normally would.

WIRELESS CONNECTION

1. To connect wirelessly, power the projector on by pressing and holding the power button for 3 seconds.
2. Allow the projector 15 to 30 seconds to fully start up. The projector will automatically start in wired mode.
3. Change the projector to wireless mode by pressing the mode button. On screen, the projector will display wireless information labeled as Android devices or iOS devices.

Android Devices

- a. Keep pressing the mode button until you see the Android wireless screen displayed.
- b. From the quick menu on your Android device, launch screen mirroring (some devices have a Quick Connect button for this functionality).

- c. Select the Miroir projector from the device list.
- d. Choose the media you would like to view from the menu on your device and play as you normally would.

iOS Devices

- a. For Apple devices, download the WProJ App from the App store.
- b. On the projector, keep pressing the mode button until you see the iOS Wireless screen displayed.
- c. Go to Settings on your iOS device and select Wi-Fi.
- d. Select the WProJ-xxxxxx from the list of devices. and enter the password from the iOS Wireless screen.
- e. Launch the WProJ App and select the media you want to view.

AUDIO

If desired, connect a speaker to the 3.5mm audio out jack. If no external speaker is connected, the projector's 2 internal 1-watt speakers will be used for audio.

ADJUSTING THE VOLUME

Touch the mode control area to activate the volume controls. Use the volume up and volume down control areas to adjust to the preferred volume level.

IMAGE ADJUSTMENTS

ADJUSTING THE FOCUS

Simply roll the focus wheel control forwards and backwards to fine-tune the image.

ADJUSTING THE VERTICAL KEYSTONE

The projector will automatically adjust the display screen to the best condition (+/- 30 degrees automatic vertical keystone correction).

ADJUSTING INTELLIBRIGHT

WHAT IS INTELLIBRIGHT? TI's DLP® IntelliBright™ technology dynamically adjusts the projector brightness range for each individual pixel based on image content and the ambient room light level.

When the projector starts up IntelliBright will automatically optimize the projected image settings for the room environment.

CHARGING WITH THE PROJECTOR

The projector has one USB out jack which can be utilized to charge a variety of smart phones.

- Connect your device to the fully-charged projector with a USB cable (not included).
- Your device's screen will let you know your device is charging and when it's fully charged.

TROUBLESHOOTING

Q. The projected image is blurry.

A. Adjust the focus wheel on the projector to fine-tune the picture. Also check that the surface you are projecting on is smooth.

Q. The projected image is too small.

A. Move the projector farther away from the projection surface.

Q. The projector is not projecting.

A. Here are several things to check if your projector is not projecting:

- If on battery power, check the battery life remaining by pressing the power button. If battery power is low, plug into AC power.
- If on AC power, check that the AC power is plugged into the correct port on the projector and the AC adapter is securely plugged into a powered outlet.
- If using a wired connection, check the compatibility section of this manual to ensure you are using any necessary adapters to connect your device. If an adapter is required, power down the projector, add the adapter, and then turn the projector back on. Also check with your device manufacturer to ensure your device supports video out.
- If using a wireless connection, check the compatibility section of this manual for instructions. Also check with your device manufacturer to ensure your device supports wireless screen mirroring.
- If using a wireless connection on battery power, check the battery life remaining on the projector by briefly pressing the power button. If battery power is low, plug into AC power.

