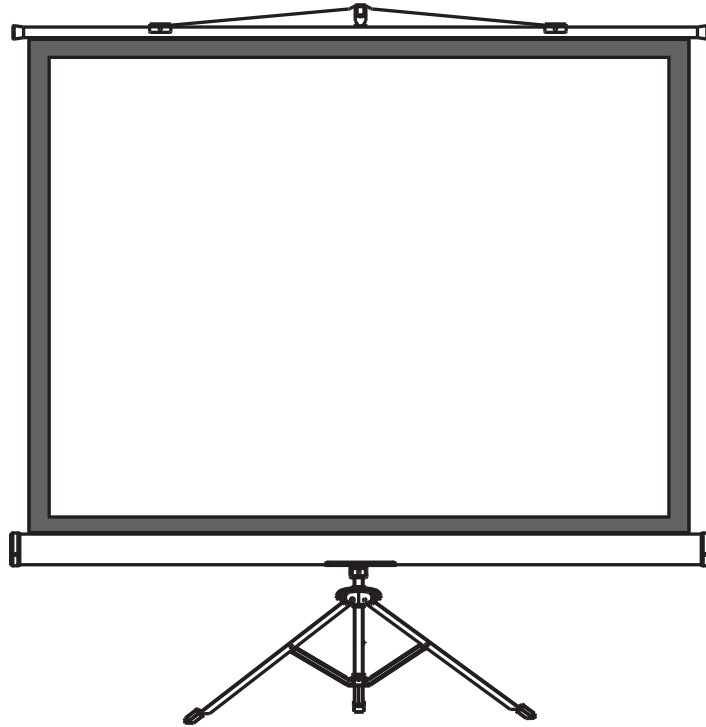


Tripod Projection Screen

USER'S GUIDE

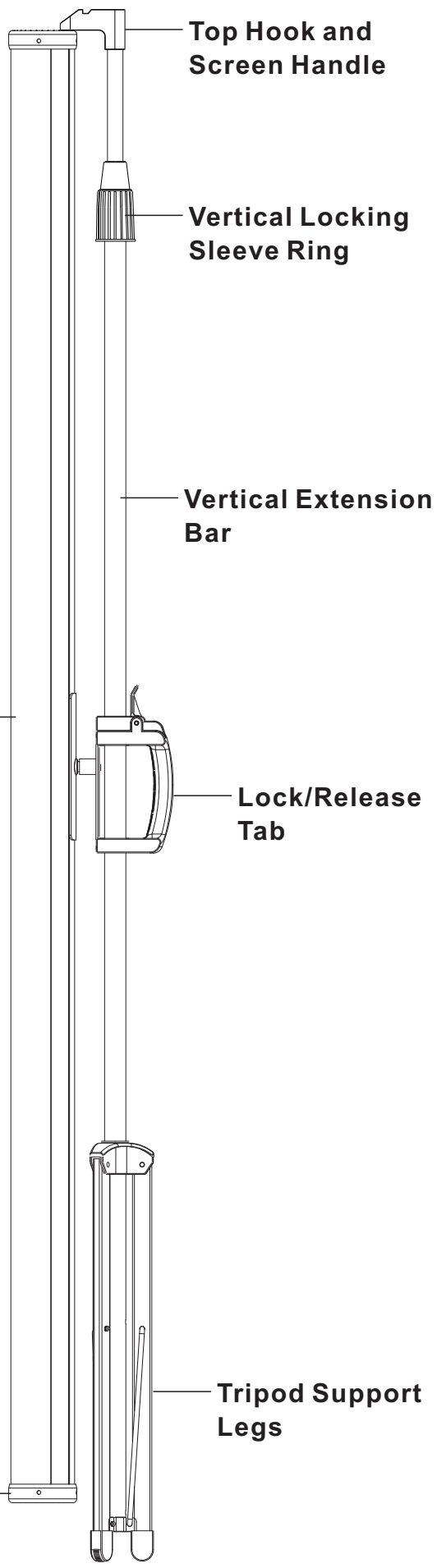


Thank you for choosing the Tripod Stage portable projection screen! Please read through this user guide before using the screen. Correct usage and maintenance will ensure a long product life.

Care & Use Instructions

Dust, dirt and scratches on the projection surface will affect the picture quality, please take note of the points below to prevent that from occurring:

1. Do not touch the projection surface with your hands.
2. Do not write or draw on the projection surface.
3. Do not use fingers or sharp objects to point on the projection surface; this will damage the screen material.
4. Use a soft-damp cloth to clean the projection surface; do not use chemical cleaning agents or alcohol.
5. To avoid damage and injury, the screen should only be operated by adults.



**Top Hook and
Screen Handle**

**Vertical Locking
Sleeve Ring**

**Vertical Extension
Bar**

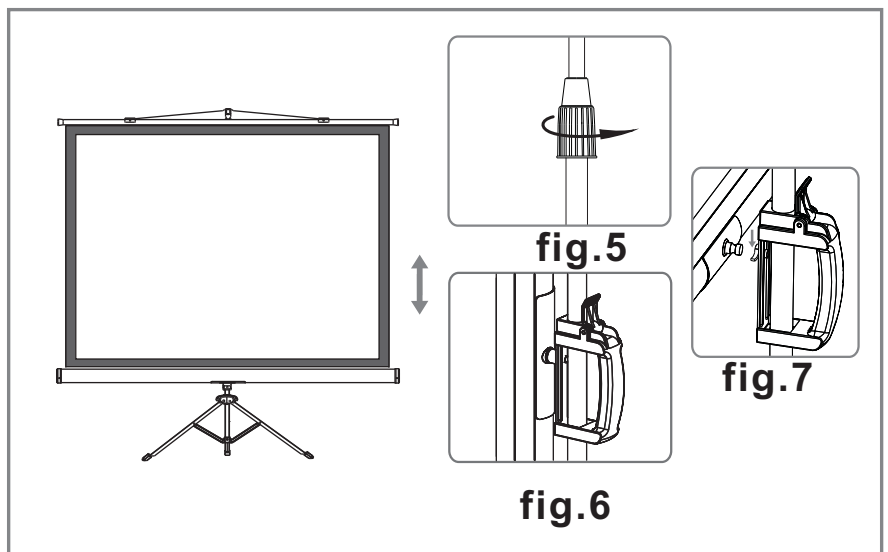
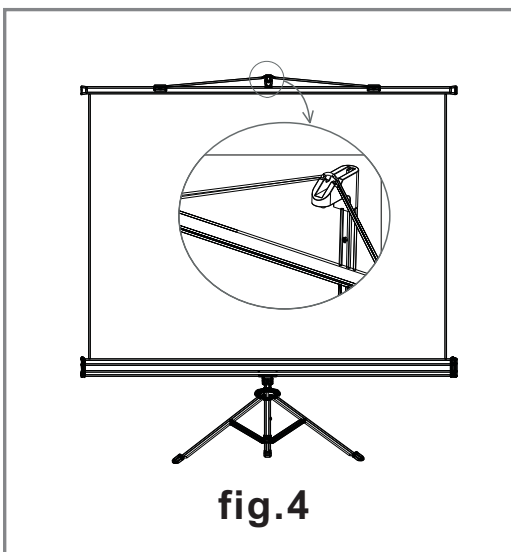
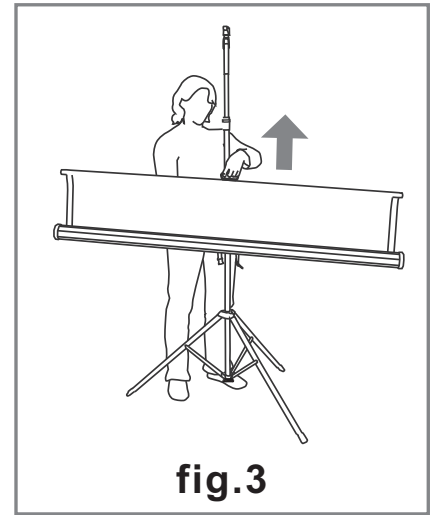
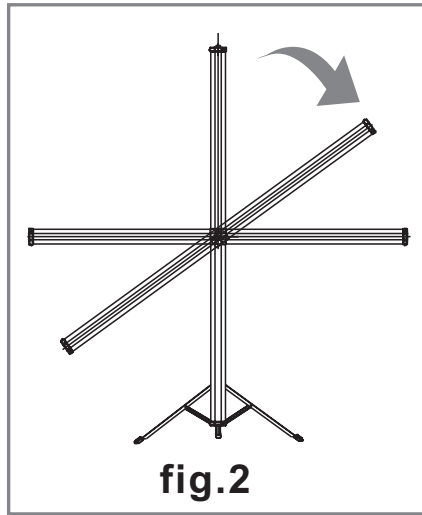
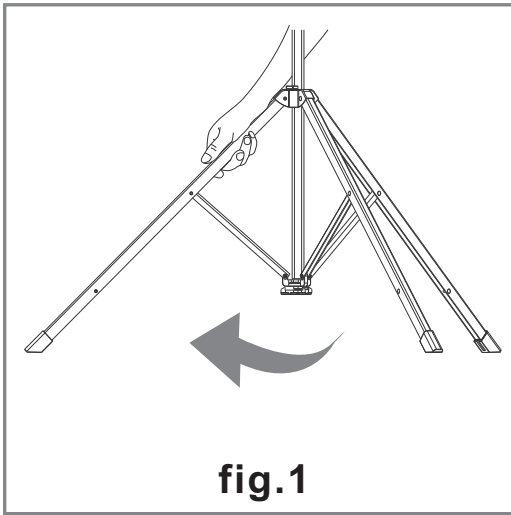
Tripod Case

**Lock/Release
Tab**

**Tripod Support
Legs**

End Cap

Installation Instruction



1. Spread the Tripod Support legs by pushing down on the legs' junction as shown in fig.1. Please stand the tripod on a flat surface to avoid injury should the tripod screen collapse.
2. Rotate the tripod's casing in a 90-degree horizontal position so that the screen's casing is now parallel to the ground and the screen's handle is positioned at the top of the casing.
3. While holding the casing horizontally leveled, please stand on the stool and pull the screen handle up vertically and hook the screen handle on the Top Hook as shown in fig. 3 & 4.
4. Two option to adjust the length of screen:
Option 1: Twist the vertical locking sleeve ring counter-clockwise to loosen the vertical extension bar so that you can adjust the screen to your desired height as shown in fig.5.
Option 2: Open the screen height adjustment lock/release tab to raise or lower the casing to your desired height, and close the lock to fix the screen as shown in fig.6.

Note: if you need to adjust the casing level by option 2, please press the knob, and connect the height adjustment lock/release tab to casing as shown in fig.7. Then release the knob. The casing is firmly connected to the tab.