

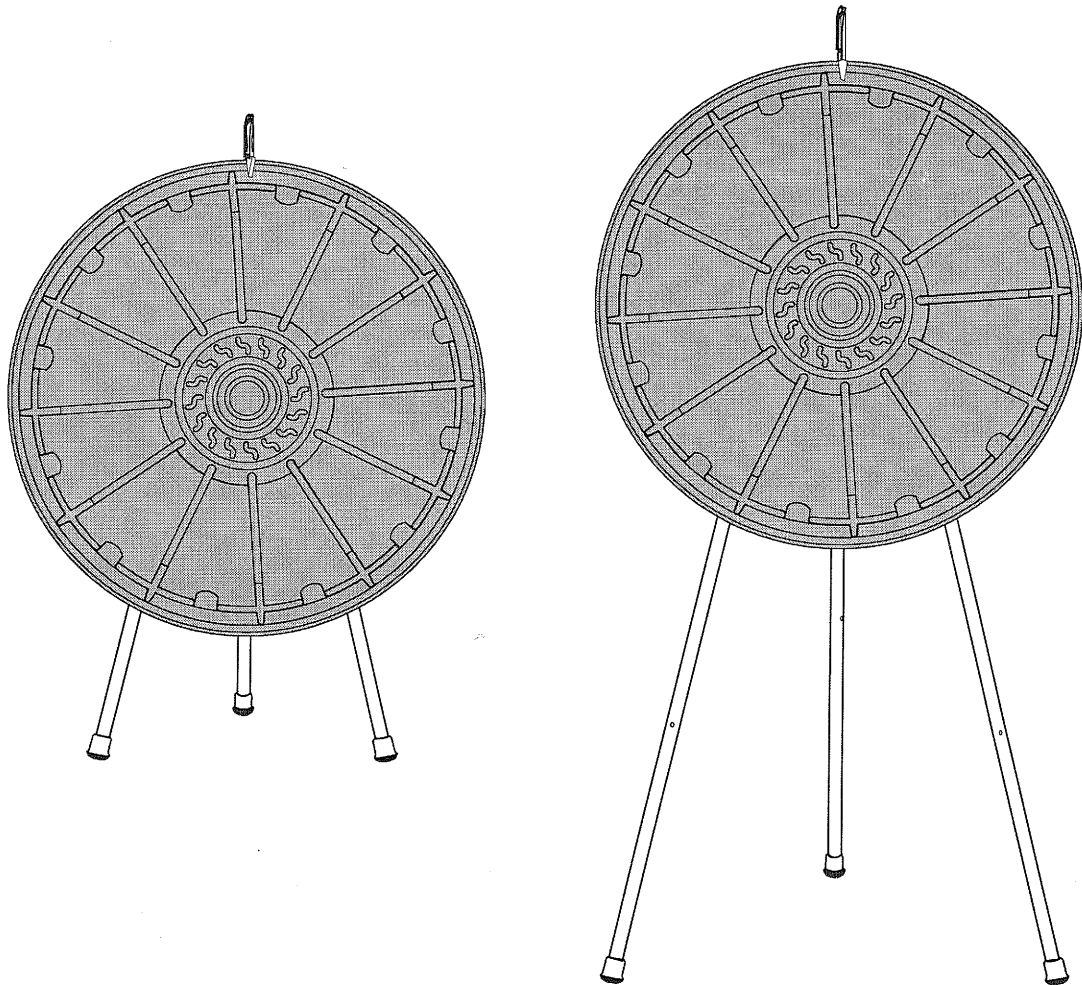


# Assembly Guide

Table Top Prize Wheel Models: #63000, #63007, #63008, #63005, #63035, #63041

Floor Stand Prize Wheel Models: #63003, #63009, #63016, #63038

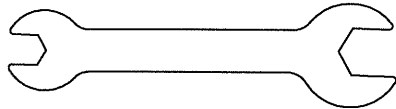
**NOTE:** Prize Wheel Models: #63000, #63007, #63008, #63005, #63003, #63009, #63016, #63035, #63041 ship assembled. Skip to Templates and Graphics Section [IV] on page 4.



These products are not primarily intended for use by children under the age of twelve (12).

# Prize Wheel Assembly Tools and Parts

## TOOLS



5/8" x 1/2" Wrench (Part #2071)

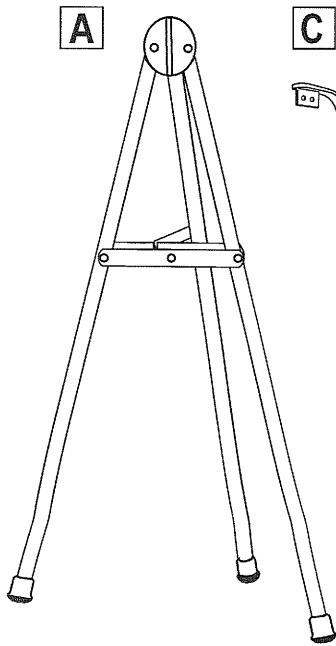


1/8th" Allen Wrench (Part #2068)



3/16th" Allen Wrench (Part #2069)

## PARTS

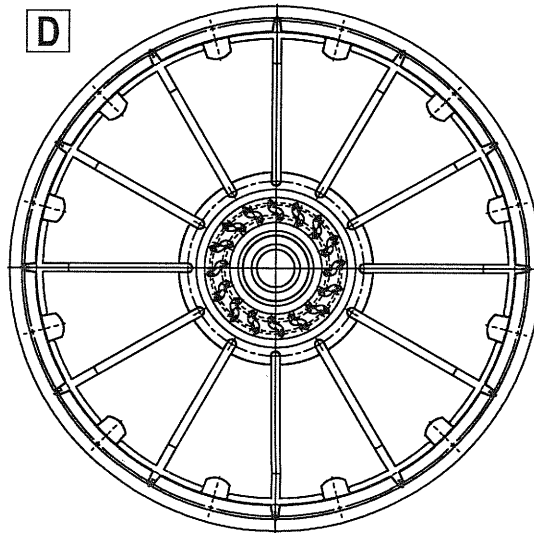


**A**

**C**



**D**



**E**



**F**



**G**



**H**



**I**



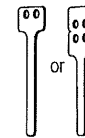
**J**



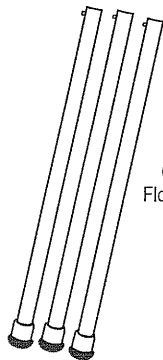
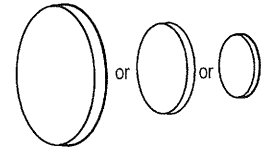
**K**



**L**



**M**



**B**

(included with Floor Models only)

**A** - Stand

**B** - Extension Legs (3)

**C** - Clicker Arm

**D** - Wheel

**E** - 3-1/2" Wheel Bolt

**F** - 1" Wheel Spacer

**G** - Wheel Washer

**H** - 5/16" Wheel Nut

**I** - 1/2" Arm Bolts (4)

**J** - Small Nuts (4)

**K** - Small Endcaps (4)

**L** - Clickers

**M** - Magnetic Center Plate

**LIMITED WARRANTY:** The manufacturer warrants The Prize Wheel to be free from defects in material and workmanship and agrees to repair or replace any product that proves defective for a period of two years from date of purchase. This warranty may be enforced only by the original retail customer and is not transferable. Alteration, repair, or attempted repair of the unit by anyone not authorized by the manufacturer will void this warranty. Damage resulting from shipment is not covered (claims for shipping damage must be presented to the shipper).

The product must be shipped freight prepaid in the original packaging or substantially similar packaging providing an equal amount of protection. The manufacturer will reimburse the cost of shipping at standard ground service freight rates to and from the repair facility (restricted to the Continental US).

The manufacturer's sole liability for any defective product is limited to, at our option, the repair or replacement of the unit. The manufacturer shall not be liable for any other damages, whether incidental, consequential, or damages based upon inconvenience, loss of the use of the unit, loss of time or otherwise. This warranty is exclusive and is in lieu of all other warranties, expressed or implied, including, but not limited to, implied warranties of merchantability or fitness for a particular purpose.

**CAUTION:** The Prize Wheel is plastic and will not withstand temperatures exceeding 110 degrees for a period greater than one (1) hour. Do not leave the Prize Wheel in a location where it is subject to extremely hot temperatures. **NOTE:** Improper storage may void the warranty. This product is not intended for use by children under 12 years of age unless under adult supervision.

# Prize Wheel Assembly Instructions

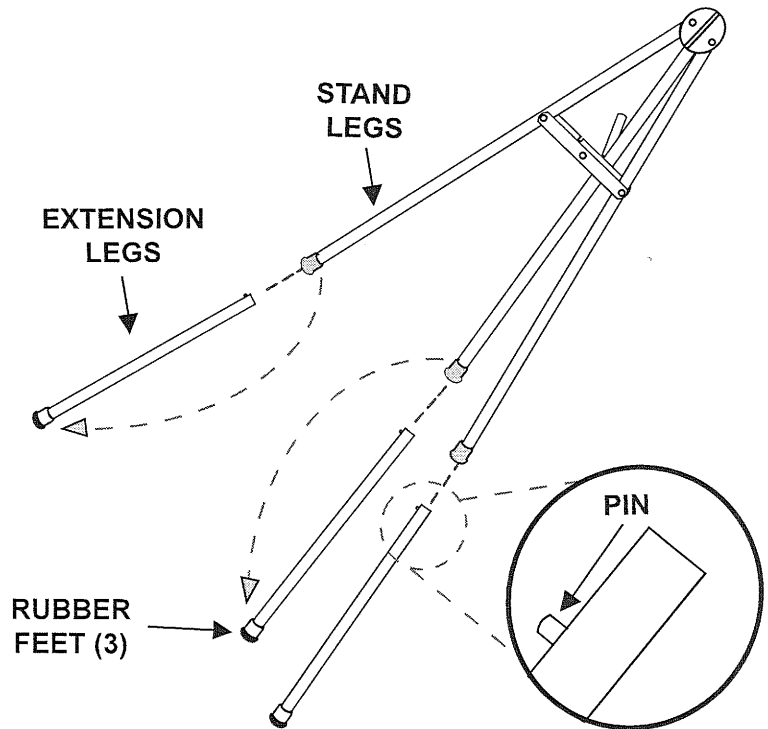
Before you begin, make sure you have all necessary Parts and Tools listed on the preceding page. If not, call Customer Service at (800) 523-5542.

## I. EXTENSION LEGS

(Applies to Floor Models only. For Tabletop Models, skip this stage and proceed to THE STAND.)

(1) Remove **Rubber Feet** from the three **Stand Legs** and place them on the three **Extension Legs** (on opposite ends from the **Pins**).

(2) Insert **Extension Legs** into the **Stand Legs** by pressing in each **Pin** and rotating to secure it through the hole on each **Stand Leg**.

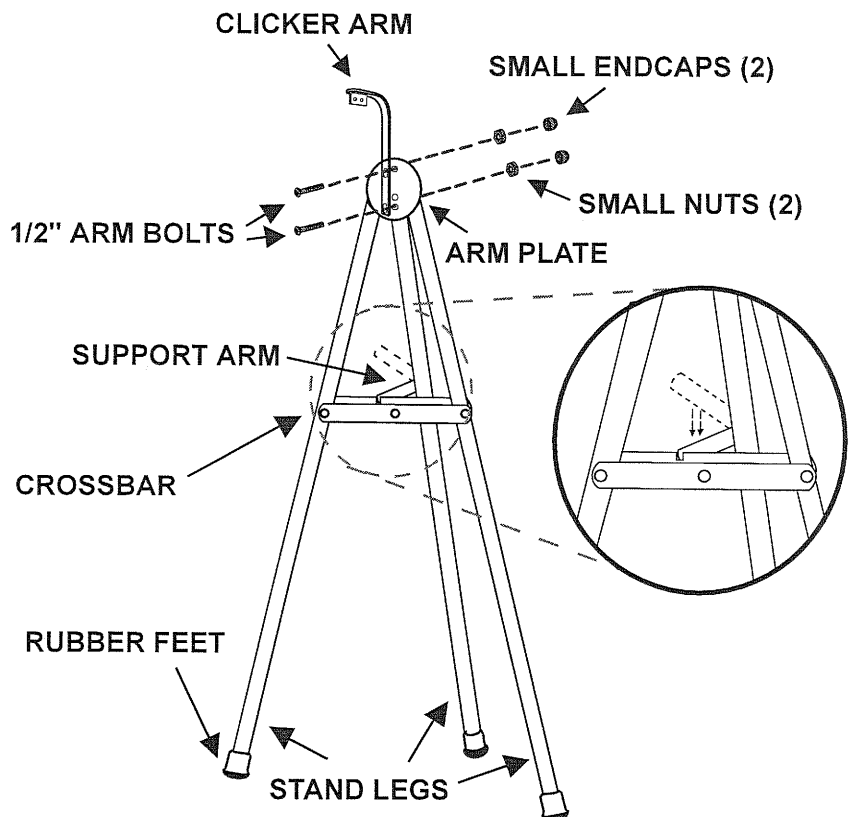


## II. THE STAND

(1) Set the **Stand** upright on its **Rubber Feet** (with or without **Extension Legs**, depending on model).

(2) Free the **Support Arm** and latch it securely into the slot on the **Crossbar**.

(3) Attach the **Clicker Arm** to the **Arm Plate** (on the **Stand**) using two **1/2" Arm Bolts** and two of the **Small Nuts**. Position the **Clicker Arm** (with the curved end up, facing front) against the **Arm Plate**. Line up the top and bottom holes and insert the **Arm Bolts** through the front of the **Clicker Arm** and **Arm Plate**. Screw the **Small Nuts** onto the back of the **Arm Bolts** and tighten with the **5/16" Wrench** and **1/8" Allen Wrench**. The **Small Nuts** can be covered with two **Small End Caps**.



(Continued on next page)

# Prize Wheel Assembly Instructions (continued)

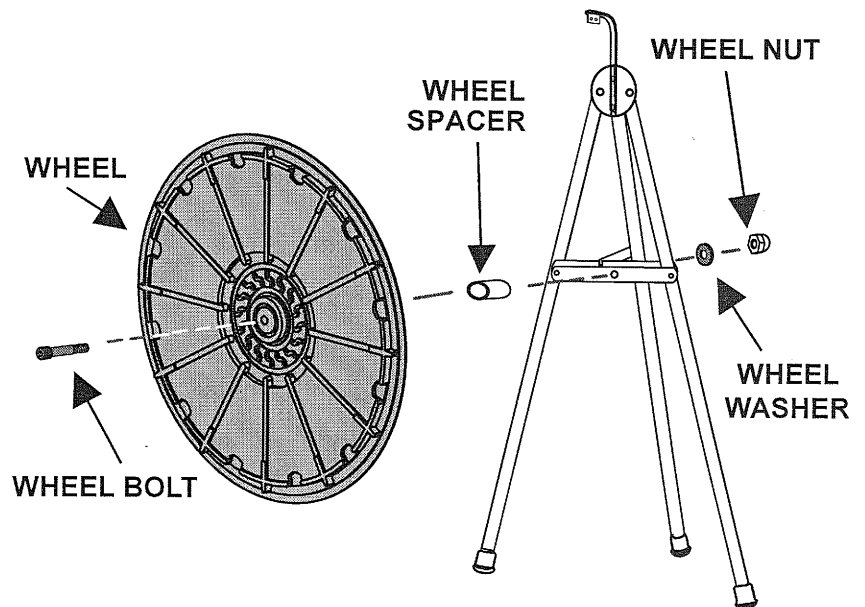
(Continued from preceding page)

## III. THE WHEEL, CLICKER AND GRAPHICS

(1) Unpack the **Wheel**, remove any cardboard and insert the **3-1/2" Wheel Bolt** all the way through the center of the front.

(2) Slide the **1" Wheel Spacer** onto the **Wheel Bolt** and mount the **Wheel** on the **Stand** by inserting the **Wheel Bolt** through both holes of the **Crossbar**. Secure the **Wheel Bolt** with the **Wheel Washer** and **5/16" Wheel Nut** and tighten with the **1/2" Wrench** and **3/16" Allen Wrench**. The **Wheel** should spin smoothly. Ensure that the wheel is parallel with the front of the stand when tightening.

(3) Attach the **Clicker** between the slots of the **Clicker Arm** by lining up the holes and securing with the two **1/2" Arm Bolts** and two **Small Nuts**. Tighten with the **1/8" Allen Wrench** and the **5/16" Wrench**. The **Small Nuts** can be covered with the **Small End Caps**.



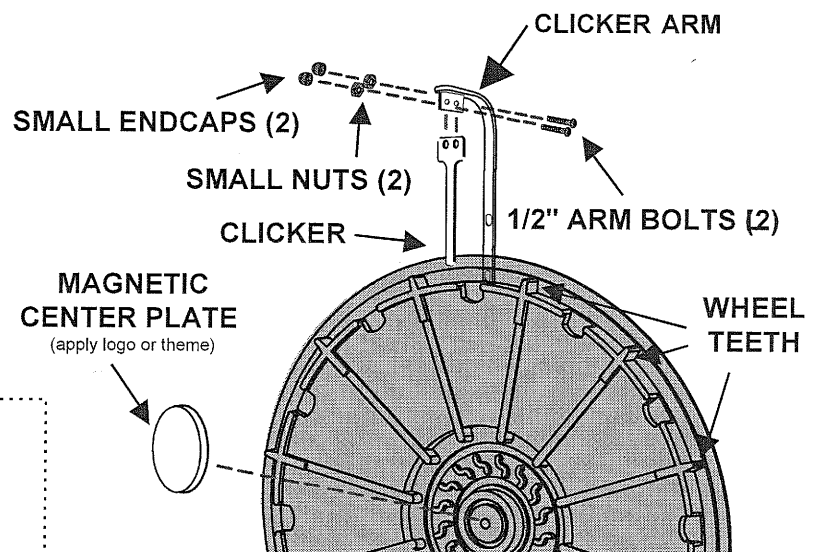
## IV. TEMPLATES & GRAPHICS

(1) Attach the **Magnetic Center Plate** to the front end of the **Wheel Bolt**.

(2) Create a logo or theme by printing it on the (removable) label stock provided and applying it to the front of the **Magnetic Center Cover**. Templates are available online at [www.gpplay.com](http://www.gpplay.com)

(3) Create, print, trim and insert **Prize Pieces** into the wheel slots. Templates can be found online at [www.gpplay.com/templates](http://www.gpplay.com/templates).

(4) Start spinning!



**Note:** To adjust spin time, slide the **Clicker Arm** up on the **Arm Plate** (for more spins) or down (for less spins) by loosening and then retightening the **Small Nuts** behind the **Arm Plate**.