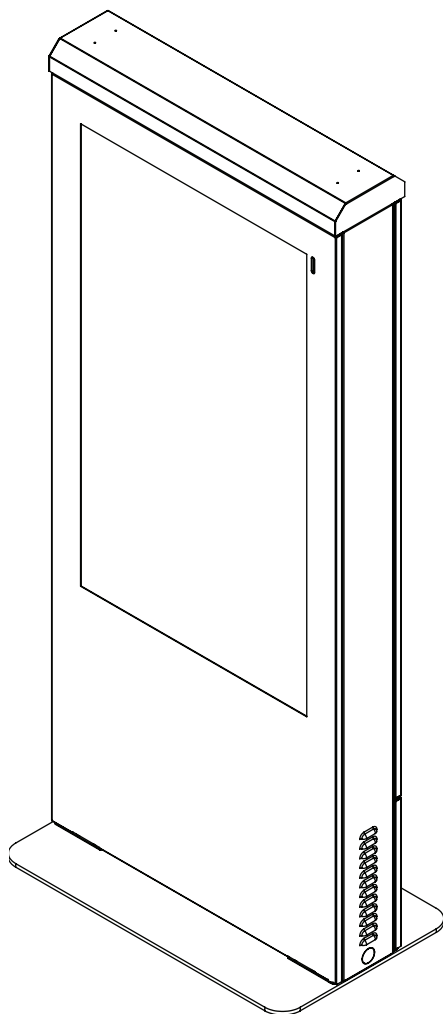


peerless-AV[®]

KOP549-XTR, KOP555-XTR KOP549-S-XTR, KOP555-S-XTR



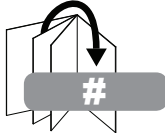
▲ WARNING

ENG - Do not begin to install product until you have read and understood the instructions and warnings contained in this user guide. Before installing make sure the supporting surface will support the combined load of the equipment and hardware. Screws must be tightly secured. Do not overtighten screws or damage can occur and product may fail. Never exceed the Maximum Load Capacity. Always use an assistant or mechanical lifting equipment to safely lift and position equipment. This product is intended for indoor use only. Use of this product outdoors could lead to product failure or personal injury. To reduce the risk of electric shock or fire, do not expose product to water or moisture. Be sure power cord is routed so that it will not be tripped on, stepped on, or pinched by heavy items. Avoid overloading electrical outlets or extension cords. Always disconnect the power cord from the power outlet when installing, servicing, or not using the product for an extended period of time. Do not block ventilation slots or fan exhaust on product. Blocking airflow could damage product. Arrange product to allow air to flow freely around product. Keep product away from direct sunlight or any source of heat. For support please call 800-4-SIGNAGE.

ENG Symbols



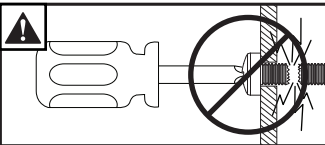
ENG WARNING



ENG Skip to step.



ENG Screws must get at least three full turns and fit snug.

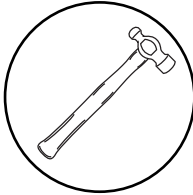
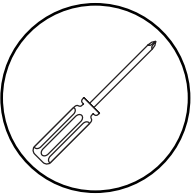


ENG Do not overtighten screws.



ENG Front of mount.

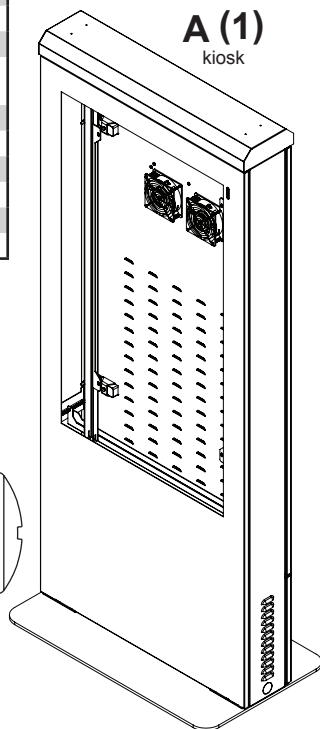
ENG Tools Needed for Assembly.



ENG Parts (Before beginning, make sure you have all parts shown below).

Parts List

| Description | Qty | KOP549-XTR | KOP555-XTR |
|--|-----|------------------------|------------------------|
| | | KOP549-S-XTR Part # | KOP555-S-XTR Part # |
| A kiosk BLK kiosk SLV | 1 | 151-T1628 151-4628 | 150-T1730 150-4730 |
| B M5 x 12mm (not used) | 4 | 520-1027 | 520-1027 |
| C M5 X 25mm (not used) | 4 | 520-9543 | 520-9543 |
| D M6 x 12mm (not used) | 4 | 520-1128 | 520-1128 |
| E M6 x 25mm (not used) | 4 | 520-1208 | 520-1208 |
| F M8 x 12mm (not used) | 4 | 520-9571 | 520-9571 |
| G M8 x 25mm (not used) | 4 | 520-1031 | 520-1031 |
| H M5/M4/M6 multi washer (not used) | 4 | 580-1398 | 580-1398 |
| I spacer (not used) | 4 | 540-1059 | 540-1059 |
| J key | 2 | 565-0301 | 565-0301 |
| K t-wrench | 1 | 560-1718 | 560-1718 |
| L power strip | 1 | 600-0370 | 600-0370 |
| M cable tie | 6 | 560-1756 | 560-1756 |
| N display | 1 | XHB492 | XHB552 |



B (4)
M5 x 12 mm



C (4)
M5 x 25 mm

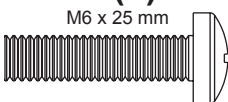


D (4)
M6 x 12 mm



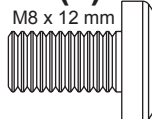
E (4)

M6 x 25 mm



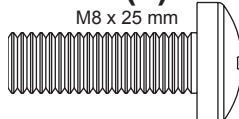
F (4)

M8 x 12 mm



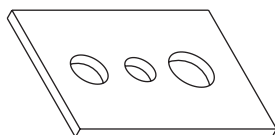
G (4)

M8 x 25 mm



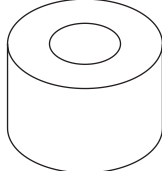
H (4)

M5/M4/M6 washer



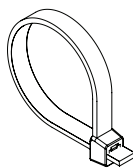
I (4)

spacer



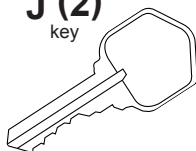
M (6)

cable tie



J (2)

key



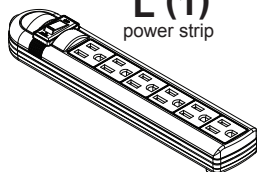
K (1)

T-wrench



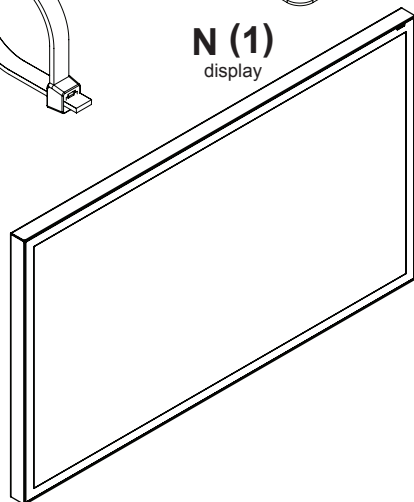
L (1)

power strip

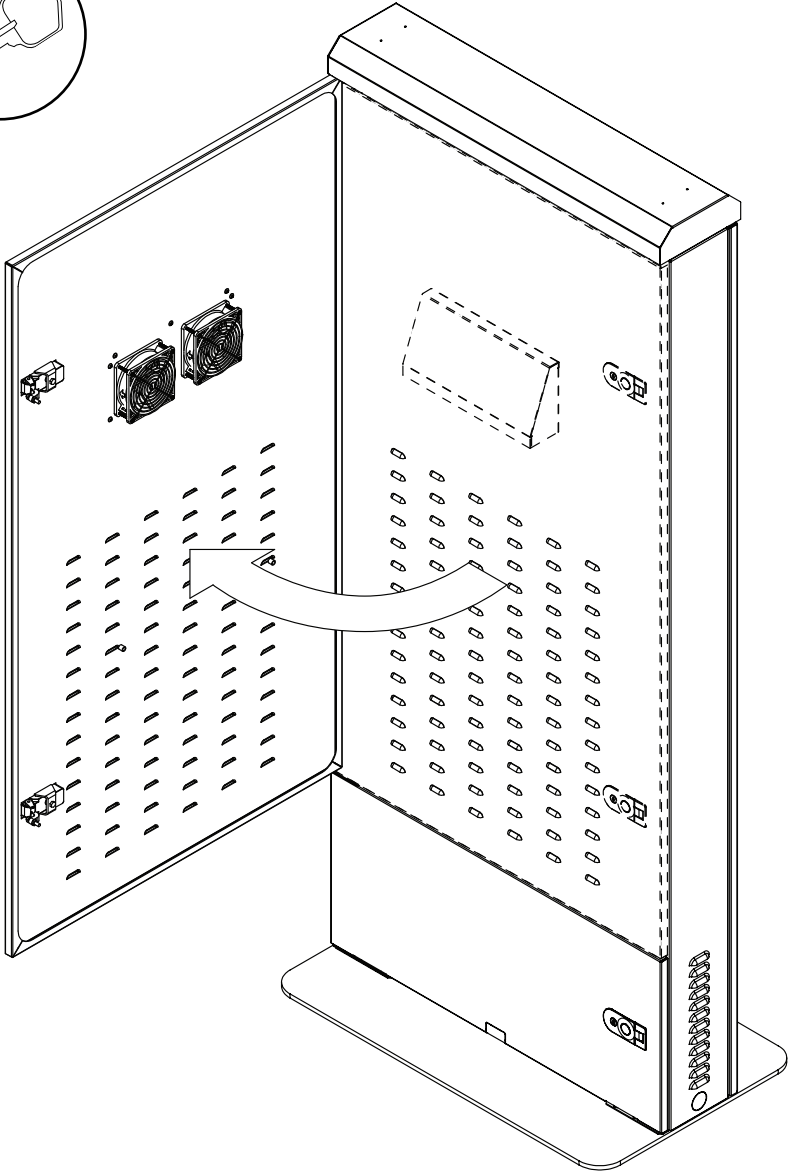
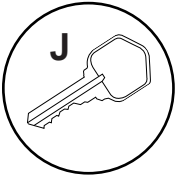


N (1)

display

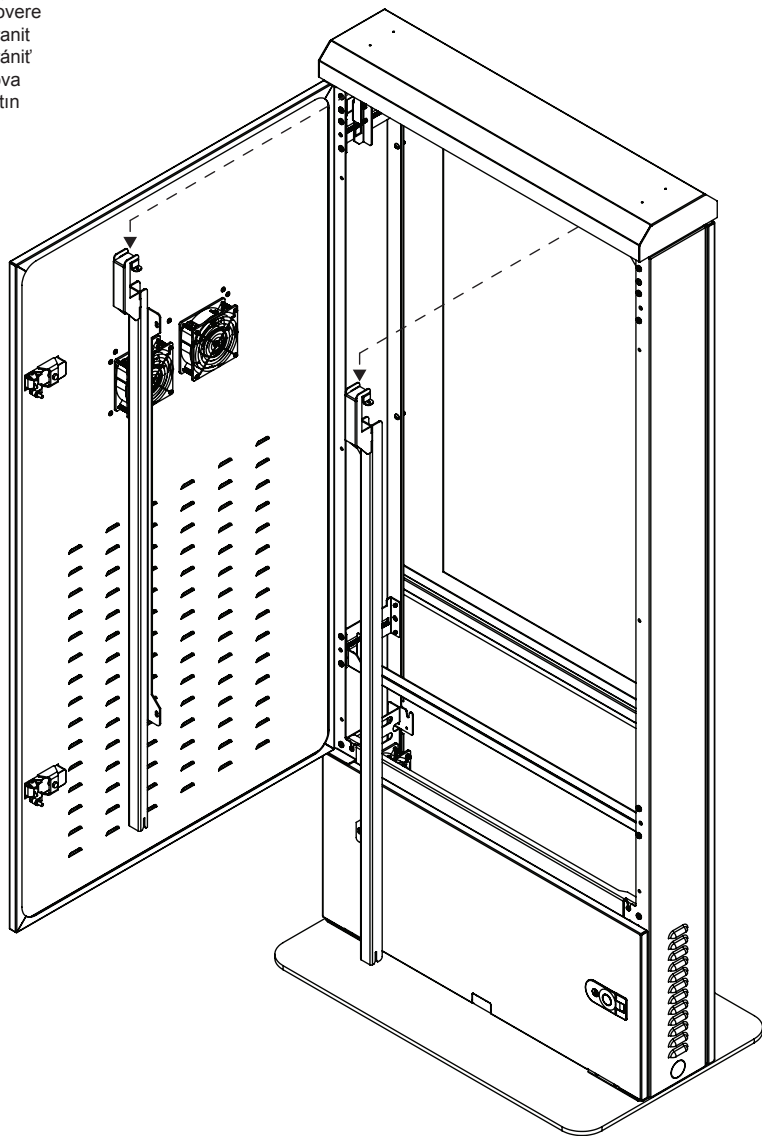


1



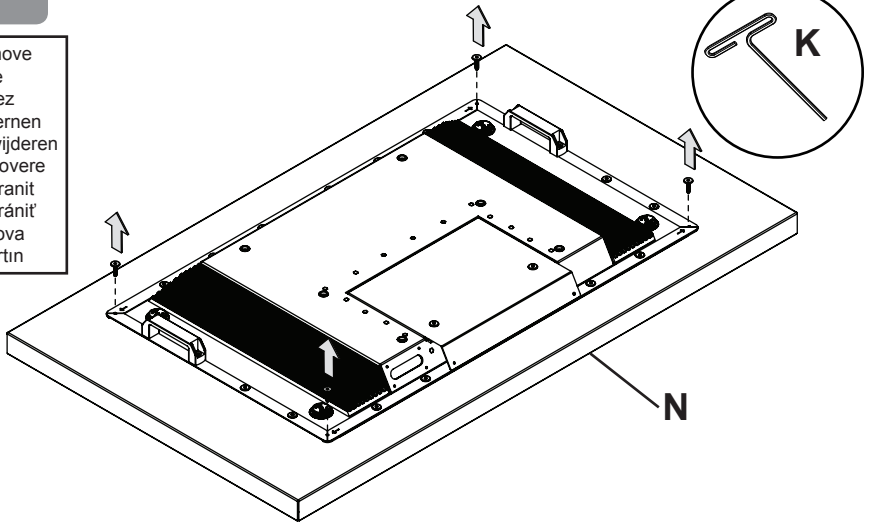
2

| | |
|-----|-------------|
| ENG | Remove |
| ESP | quite |
| FRN | retirez |
| DEU | entfernen |
| NEL | verwijderen |
| ITL | rimuovere |
| ČES | odstranit |
| SLK | odstrániť |
| POR | remova |
| TÜR | çıkartın |



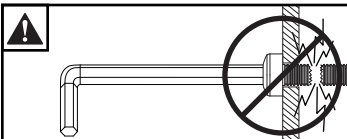
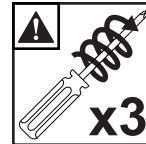
3-1

| | |
|-----|-------------|
| ENG | Remove |
| ESP | quite |
| FRN | retirez |
| DEU | entfernen |
| NEL | verwijderen |
| ITL | rimuovere |
| ČES | odstranit |
| SLK | odstrániť |
| POR | remova |
| TÜR | çıkartın |

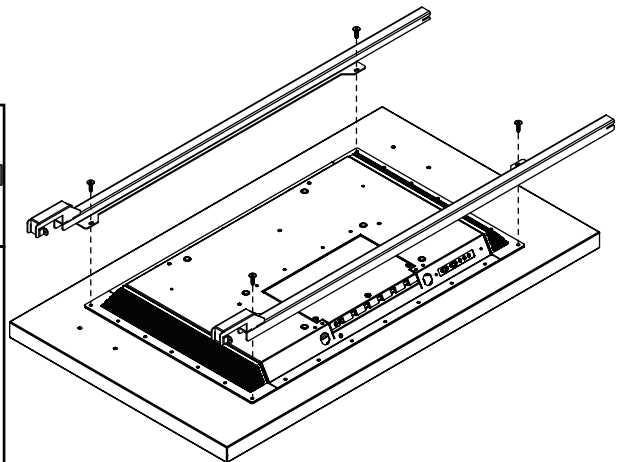


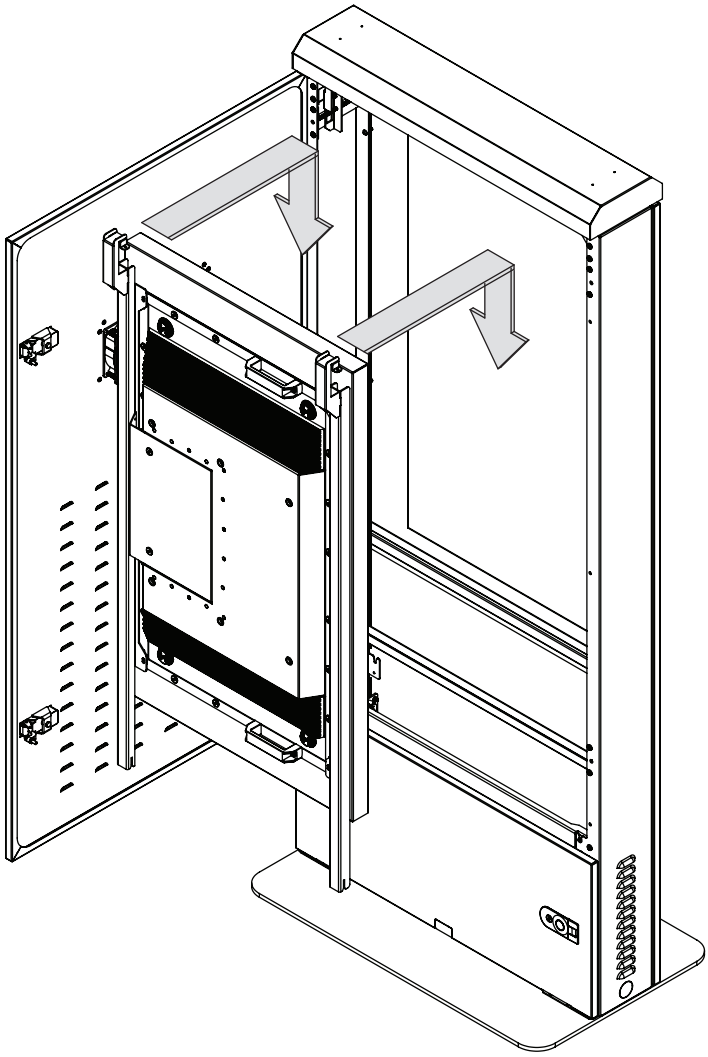
3-2

| | |
|-----|-------------------|
| ENG | Replace |
| ESP | Remplace |
| FRN | Remettez en place |
| DEU | Ersetzen |
| NEL | Vervangen |
| ITL | Rimettere a posto |
| ČES | Znova nasadit |
| SLK | Znova nasadiť |
| POR | Coloque novamente |
| TÜR | Değiştirin |

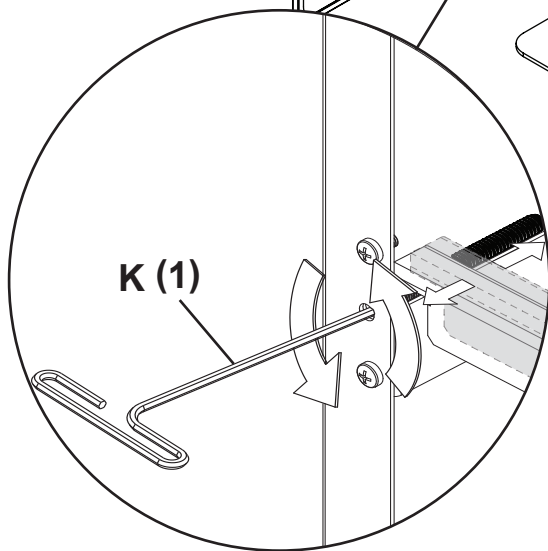
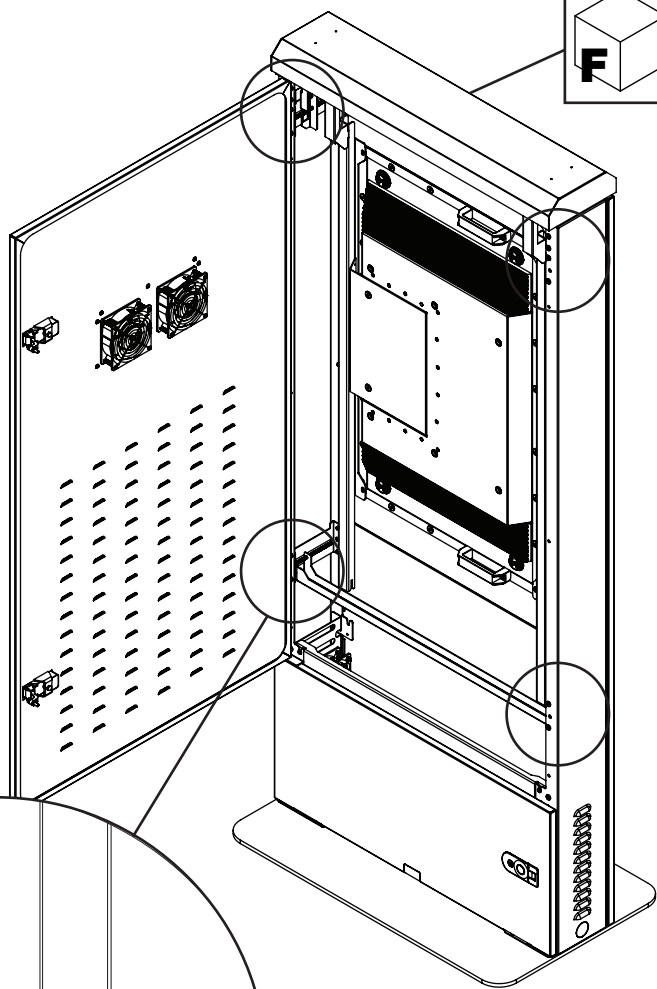
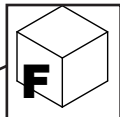
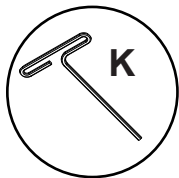


| | |
|-----|--------------------------------|
| ENG | Maximum 36 in. • lb (4 N.M.). |
| ESP | Máxima 36 in. • lb (4 N.M.). |
| FRN | Maximum 36 in. • lb (4 N.M.). |
| DEU | Maximum 36 in. • lb (4 N.M.). |
| NEL | Maximaal 36 in. • lb (4 N.M.). |
| ITL | Massima 36 in. • lb (4 N.M.). |
| ČES | Maximum 36 in. • lb (4 N.M.). |
| SLK | Maximum 36 in. • lb (4 N.M.). |
| POR | Máxima 36 in. • lb (4 N.M.). |
| TÜR | Maksimum 36 in. • lb (4 N.M.). |



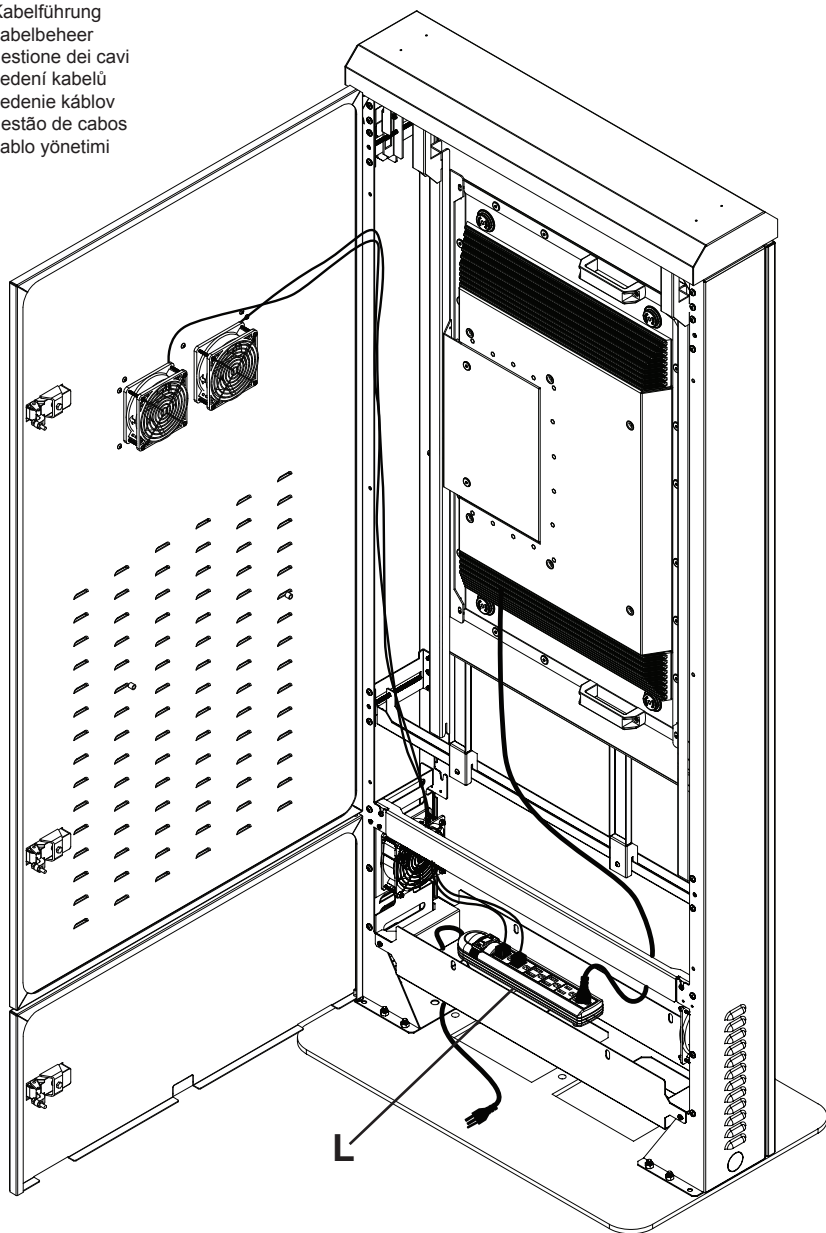


5

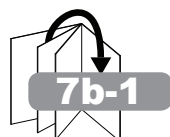
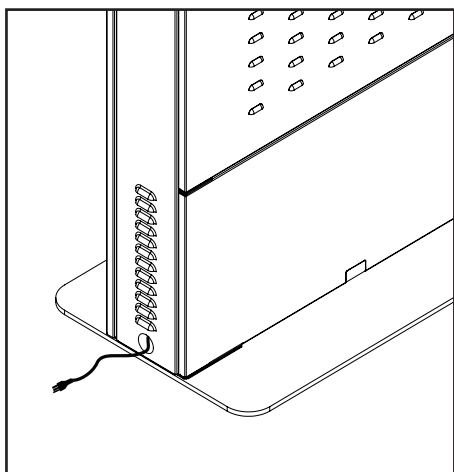
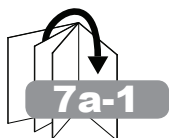
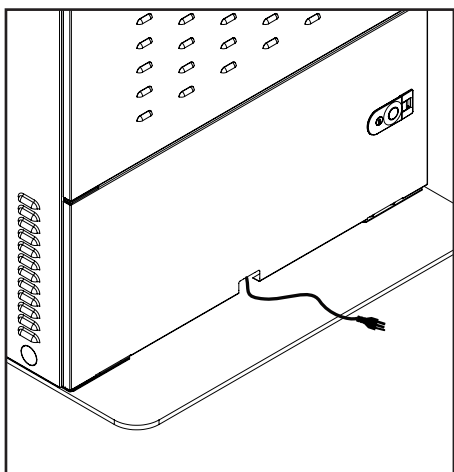


6

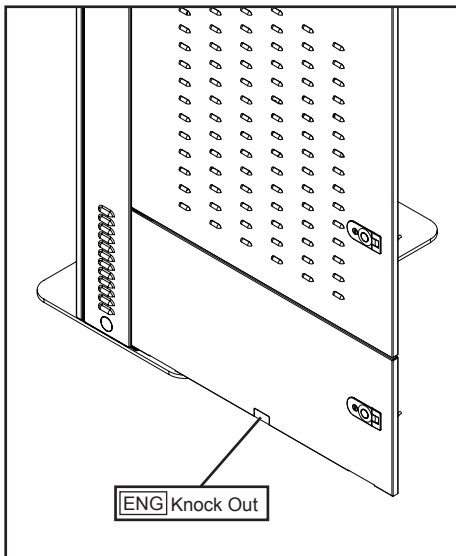
| | |
|-----|--------------------|
| ENG | Cable management |
| ESP | manejo de cables |
| FRN | gestion des câbles |
| DEU | Kabelführung |
| NEL | kabelbeheer |
| ITL | gestione dei cavi |
| ČES | vedení kabelů |
| SLK | vedenie káblov |
| POR | gestão de cabos |
| TÜR | kablo yönetimi |



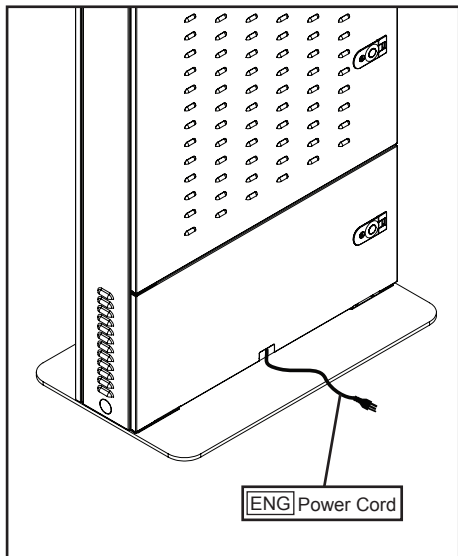
7



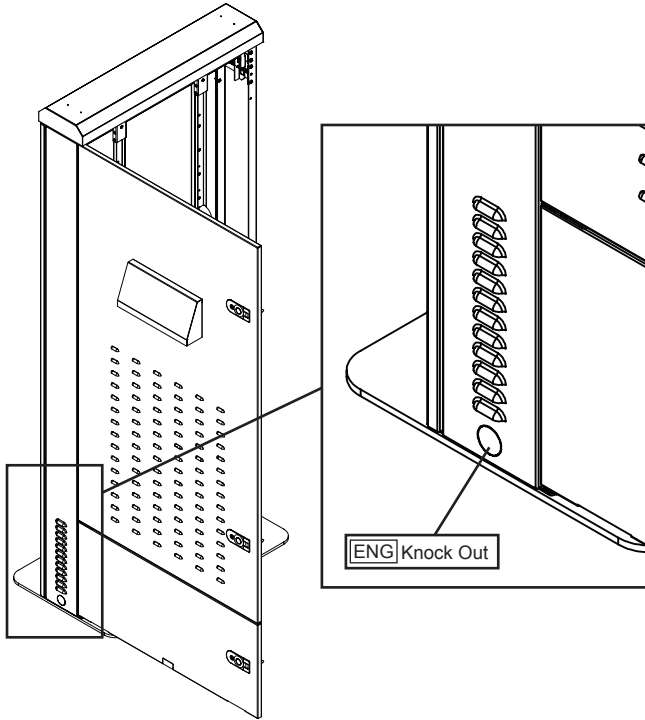
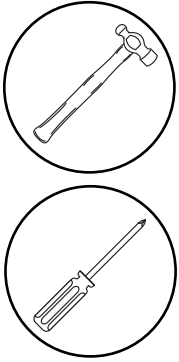
7a-1



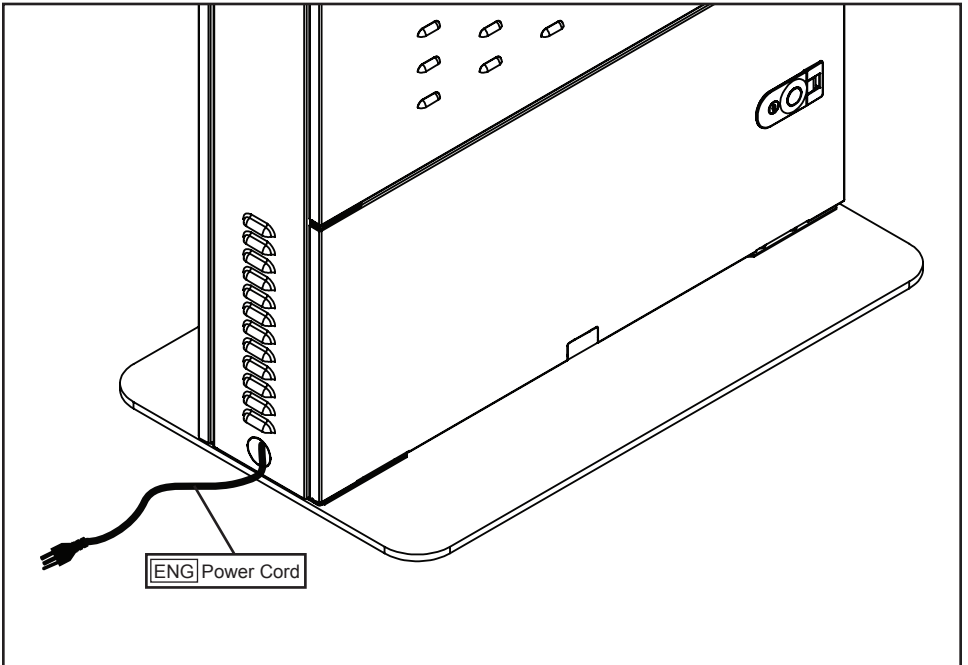
7a-2



7b-1



7b-2



LIMITED FIVE-YEAR WARRANTY

Peerless Industries, Inc. ("Peerless-AV") warrants to original end-users that each Peerless-AV® mounting product will be free from defects in material and workmanship, under normal use, for the applicable warranty period (from date of the original installation of the product). At its option, Peerless-AV will repair or replace, or refund the purchase price of, any product which fails to conform with this warranty.

Any implied warranty of merchantability or fitness for a particular purpose shall be limited to the period of the express warranty set forth below.

In no event shall Peerless-AV be liable for incidental or consequential damages, whether or not secured by a security device which may be included with the product.

Some states do not allow limitations on how long an implied warranty lasts, or the exclusion of incidental or consequential damages, so the above limitation and/or the above exclusion may not apply to you.

This warranty does not cover damage caused by incorrect selection, installation or the failure to follow Peerless-AV instructions or warnings when installing, using or storing the product.

This warranty gives specific legal rights, and you may also have other rights which vary from state to state. To make a warranty claim in North America, contact Peerless-AV customer care at 1-800-865-2112. See complete global warranty information for regions outside North America at www.peerless-av.com/en-uk/customer-care/warranties-returns.

Patent Pending

The logo for Peerless-AV features the word "peerless" in a bold, lowercase, red sans-serif font. To its right, the letters "AV" are rendered in a red outline font, with a registered trademark symbol (®) to the upper right of the "V".

Peerless-AV
2300 White Oak Circle
Aurora, IL 60502
Email: tech@peerlessmounts.com
Ph: (800) 865-2112
Fax: (800) 359-6500
www.peerless-av.com

Peerless-AV Europe
Unit 3 Watford Interchange,
Colonial Way, Watford, Herts,
WD24 4WP, United Kingdom
Customer Care
44 (0) 1923 200 100
www.peerless-av.com

Peerless-AV de Mexico
Ave de las Industrias 413
Parque Industrial Escobedo
Escobedo N.L. Mexico 66062
Servicio al Cliente
01-800-849-65-77
www.peerless-av.com

© 2018, Peerless Industries, Inc.

© 2018, Peerless Industries, Inc.

© 2018, Peerless Industries, Inc.