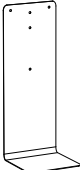
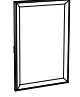


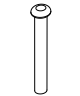

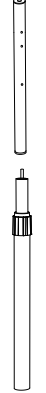
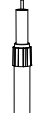




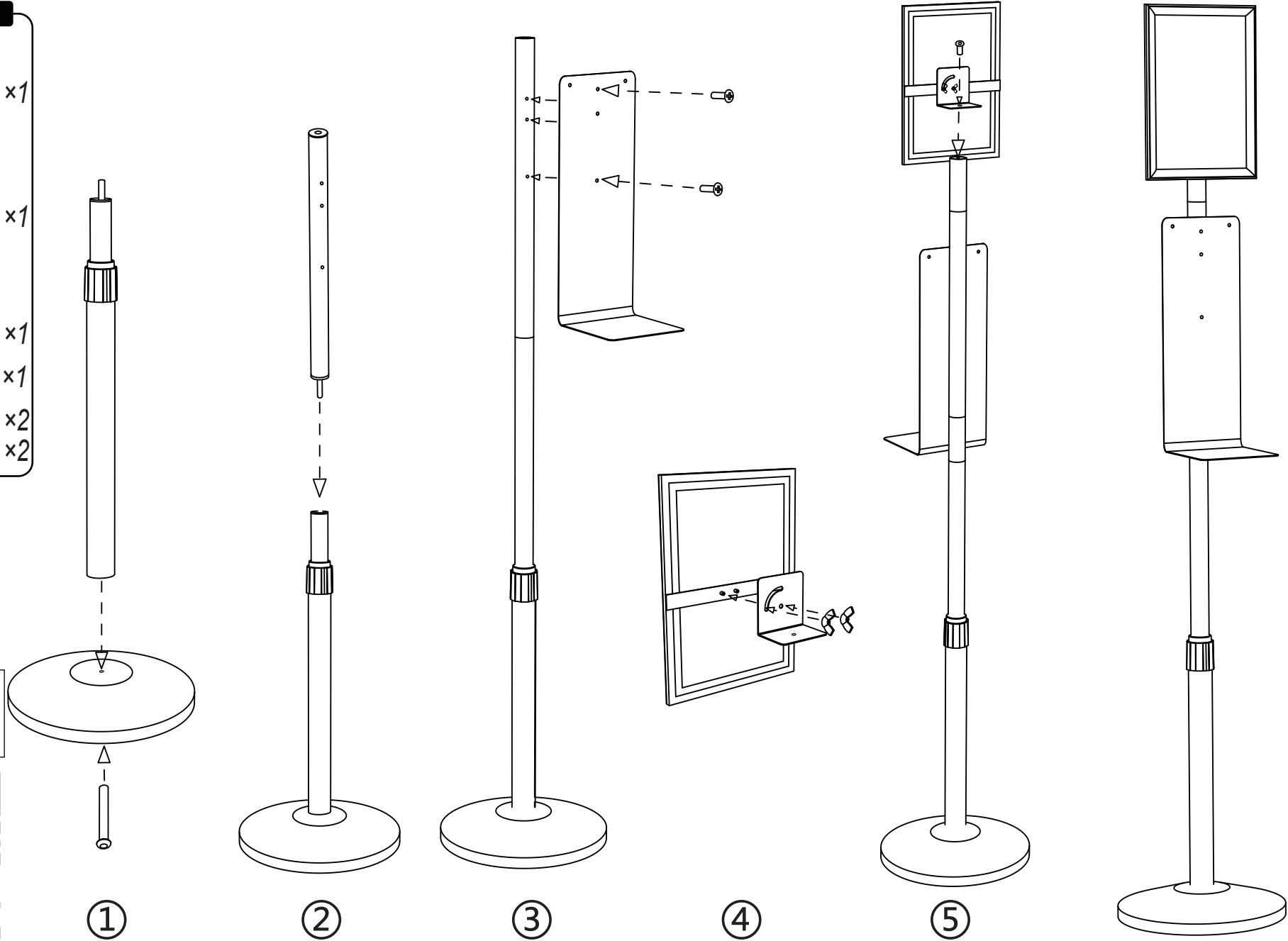




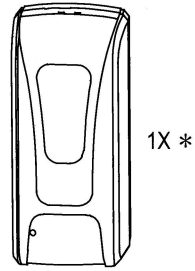
- Components**
-  x1
 -  x1
 -  x1
 -  x1
 -  x1
 -  x2
 -  x1
 -  x1
 -  x1
 -  x1
 -  x2
 -  x2



Scan QR code to visit product page



SENSOR FOAM SOAP DISPENSER INSTALLATION

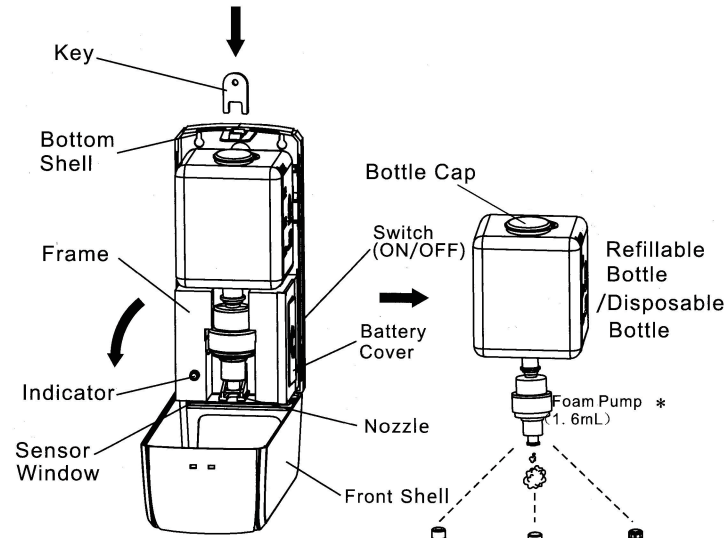


1X *



* we have different shape but same installation.

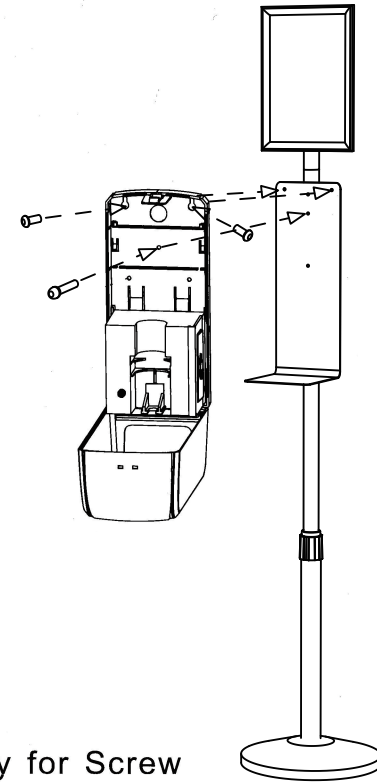
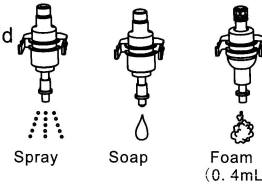
① Packing List



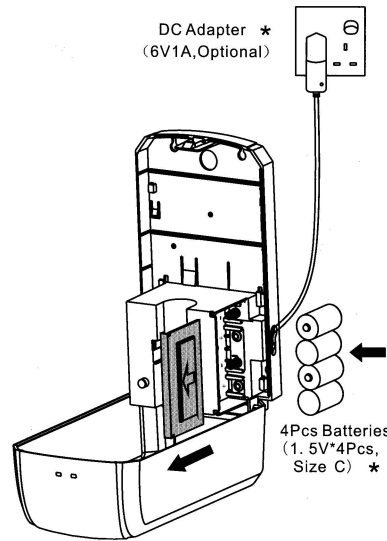
* Different Pump for Different Liquid

1. Spray: Sanitizer Liquid;
2. Soap: Gel or Soap Liquid;
3. Foam: Foam Liquid.

② Part Name

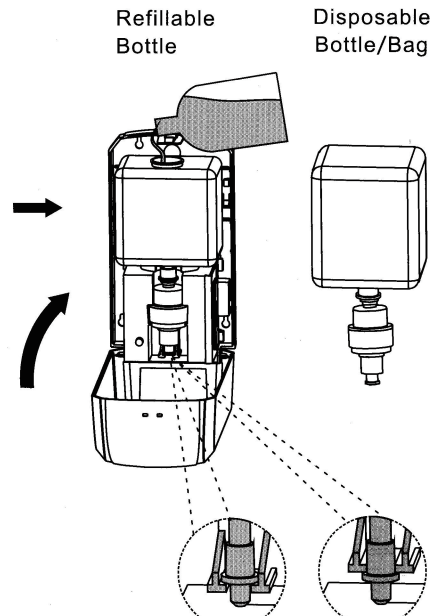


③ Way for Screw

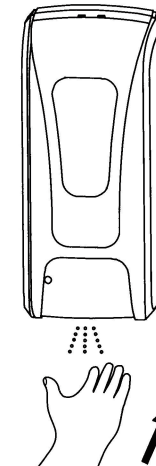


* The Standard Packing is not including DC Adapter and Batteries

④ Install Batteries/DC Adapter



⑤ Fill Liquid



- UV disinfection
- LED Light:
 1. green color 5 seconds flush: working condition;
 2. red color 5 seconds flush: low power for battery and change;
 3. red color 2 seconds flush: something under sensor and remove it;
- Sensing Distance: 8-12cm

⑥ Enjoy hand sanitizing

If you have any questions regarding this product, please contact D2G customer service at 844-221-3388.