


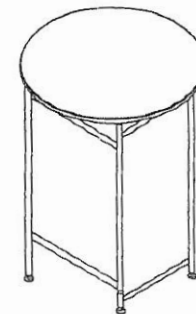


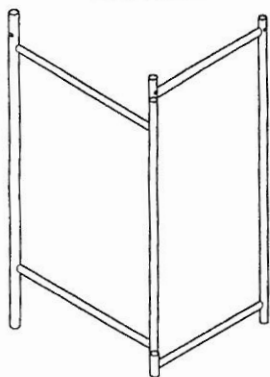
Assembly Instructions

Hardware

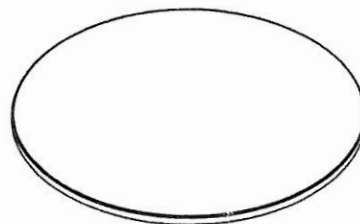
- ①: Socket head screws M6*10 9PCS 
- ②: Allen wrench 1PC 
- ③: White levelers 5/16-18*19*φ31.8 3PCS 



Material:



Aluminum Tubing Frames - 1 QTY

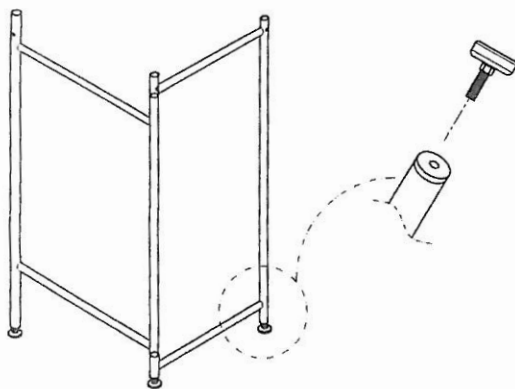


Polypropylene Tabletop - 1 QTY

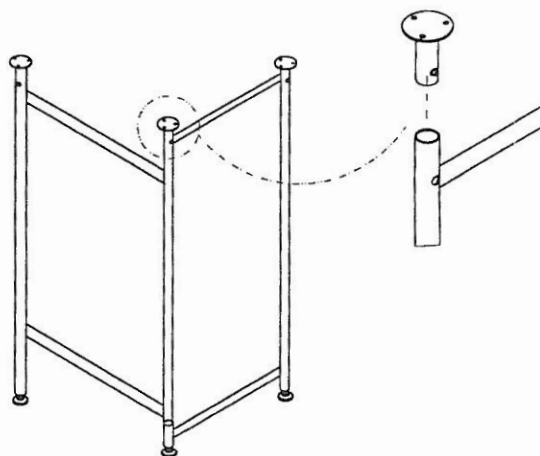


Connecting tube - 3 QTY

STEP 1:



STEP 2:



STEP 3:

