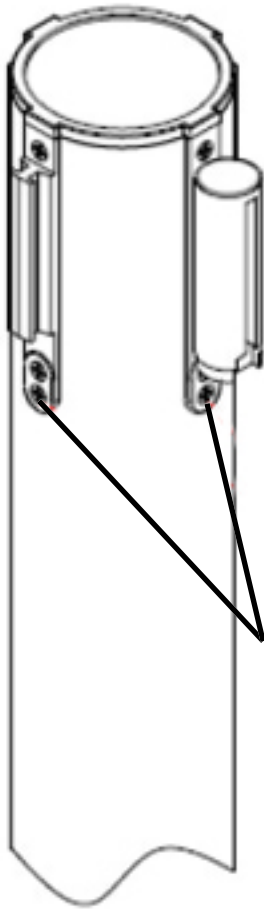


DISPLAYS2GO

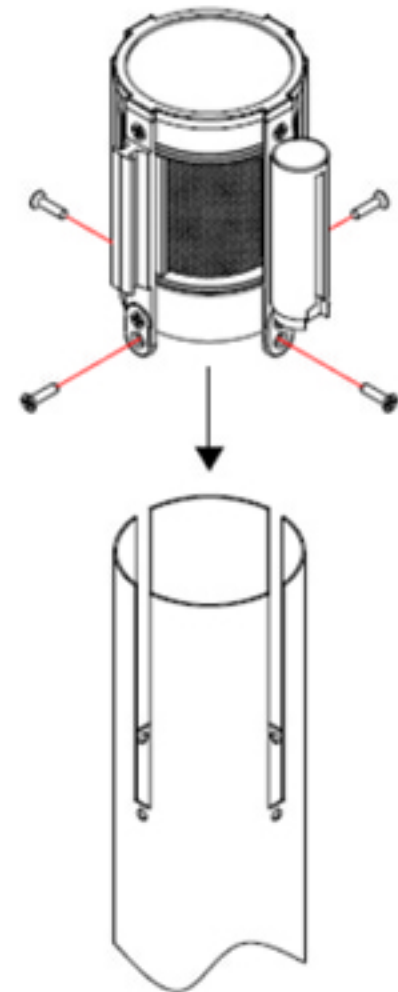
REPLACING QUEUEPOLE.ECONOMY BELTS

Removing Stanchion Top



Remove all four of the
bottom-most screws
and pull top off

Replacing Stanchion Top



Slide new belt onto post and
secure with four screws