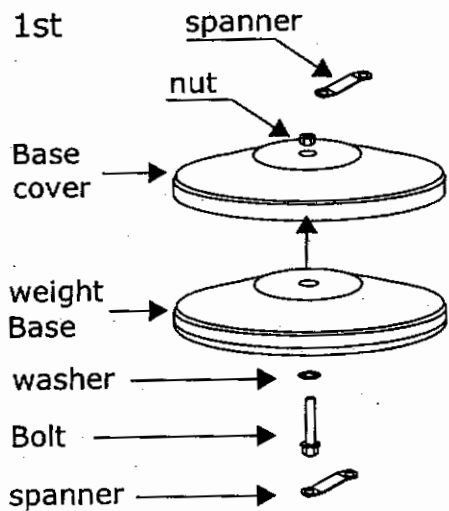
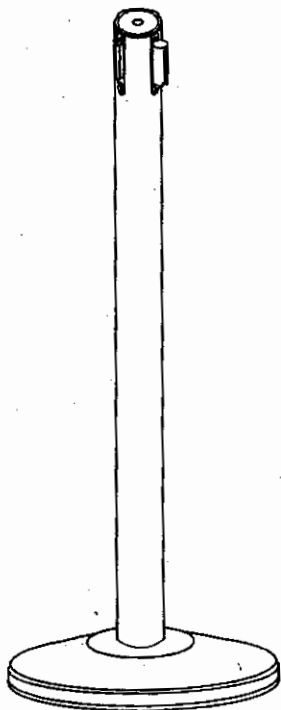
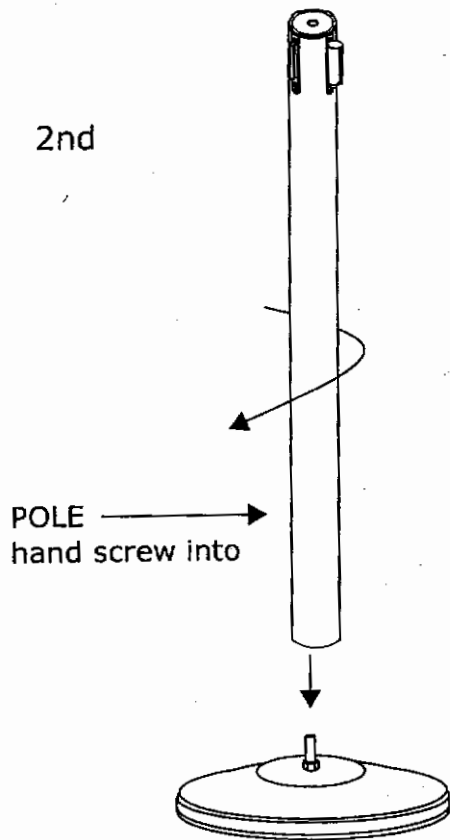


1st

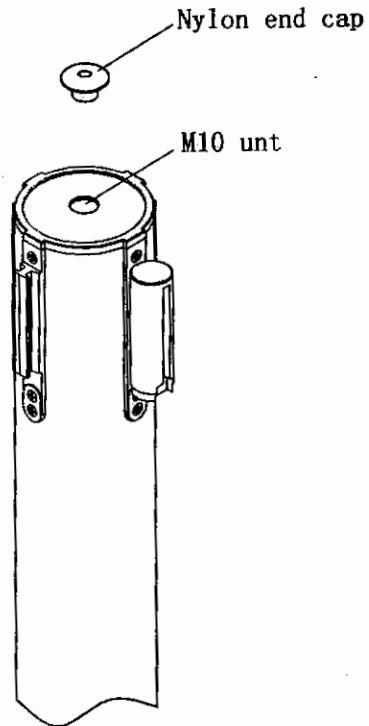


2nd



Nylon end cap

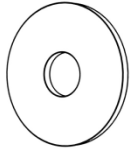
M10 nut



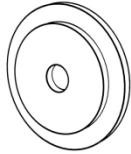
RCCPLSTWIPE



Stanchion Bolt
X1



3/8in Washer
X1



Rubber Grommet
X1



X4

Place wipes or liquid hand sanitizer inside the bottom of unit, place top over container. Use posts to secure top to bottom. Adjust for height and tighten posts. If mounting on stanchion use rubber grommet on top of stanchion and feed the bolt through the washer and acrylic bottom tighten bolt.

