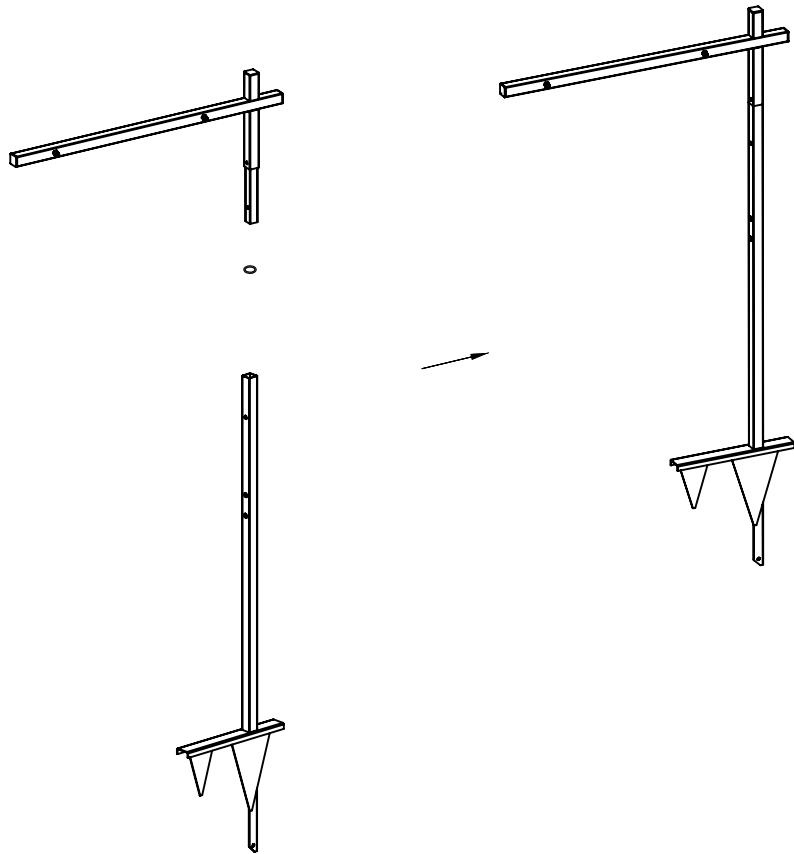
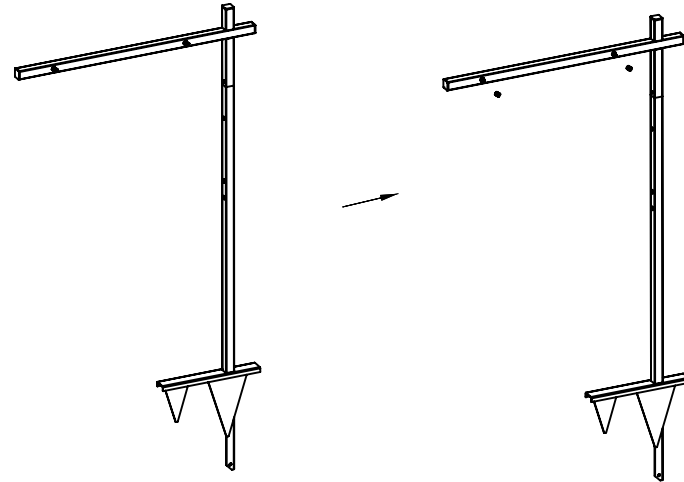


RE1824CLWT Assembly Instruction

Step 1: To put on the rubber ring and then insert the top nipple tube into bottom part.



Step 2: To attach the plastic nut.



Step 3: To attach the U shape.

