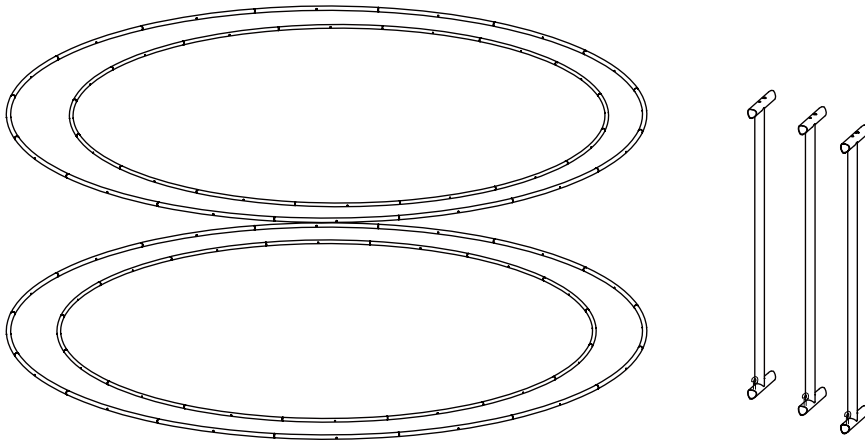
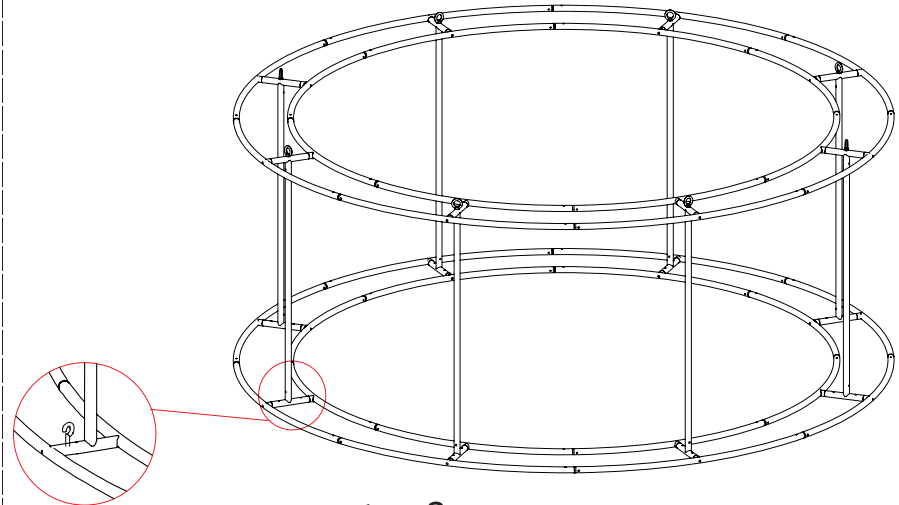


# 10FT Circle Hanging Light Box To Install



## step 1:

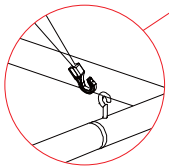
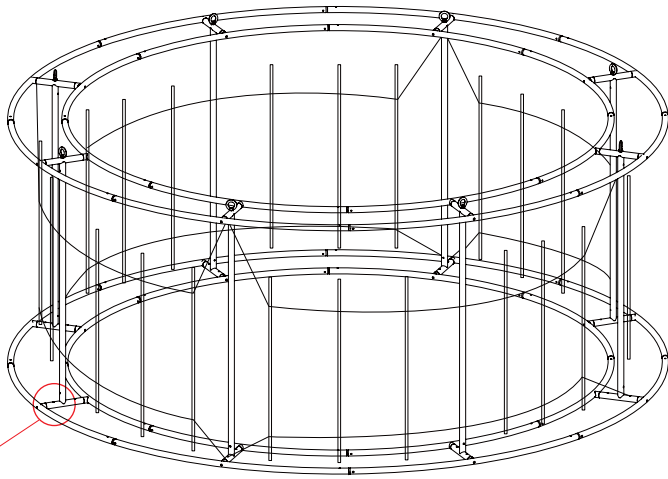
There are some figures labeled on each tube, connecting the same figures together to assemble four circles.



**Note:** lamp hook must be installed away from the center of the circle

## step 2:

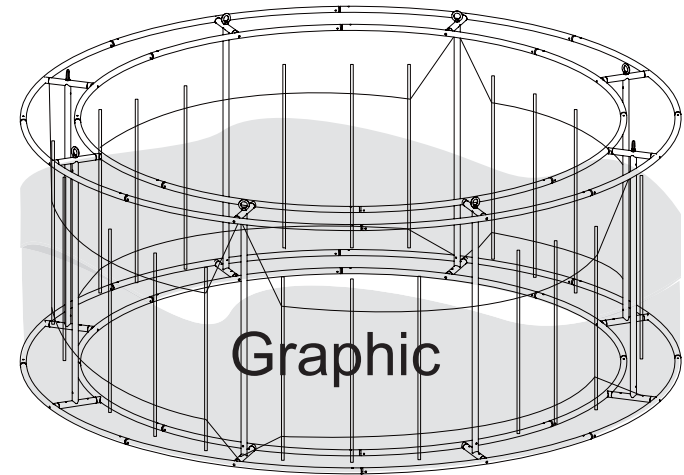
Complete the frame assembly by connecting the rest supporting tubes as shown above. See detail views in last page.



**Note:** Set the lamp luminous face to the center of the circle to ensure uniform lighting

## step 3:

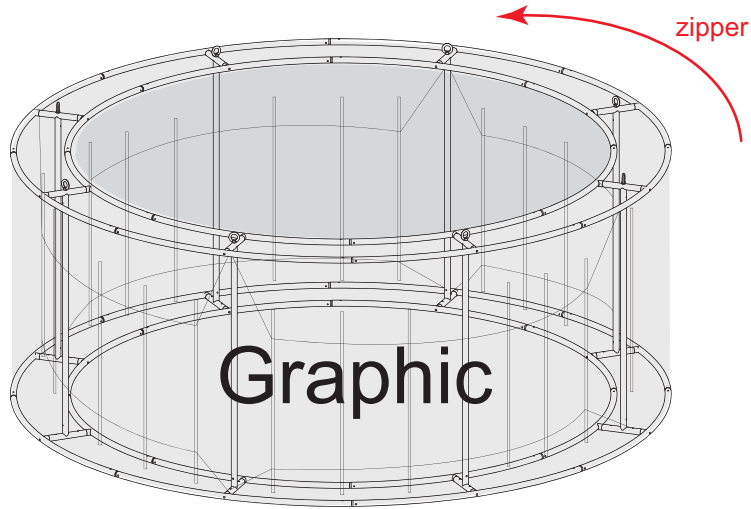
Install the LED light on the assembled frame



## step 4:

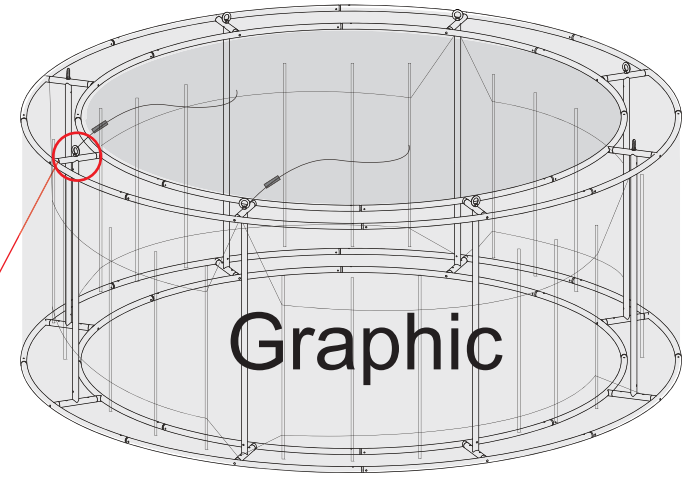
Place the graphic cover at the bottom of the frame. Carefully pull up the cover to the top.

# 10FT Circle Hanging Light Box To Install



## step 5:

Find the reinforced hole in the graphic, hang each reinforced hole on the corresponding plug to keep it stay outside the light box, close the zippers on the graphic.



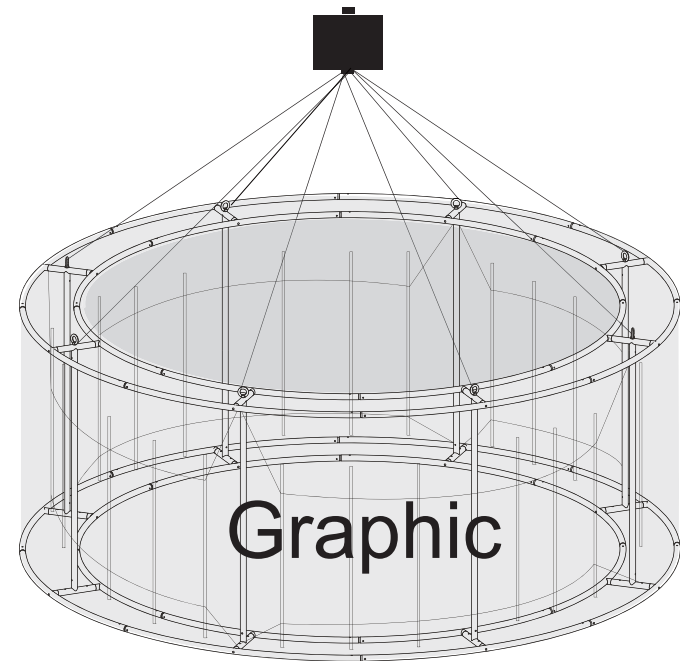
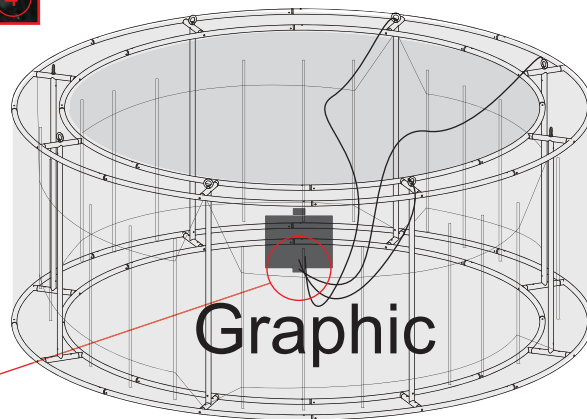
## step 6:

Connect the clips and power plugs to the frame.



## step 7:

Hold the electric box on the center of frame then connect the locks and plugs to the electric box.



## step 8:

Hang it onto the ceiling. Turn the switch on to light it up.

# 10FT Circle Hanging Light Box To Install

## Frame Installation

