

2012 RocknRoller® Multi-Cart® Owner's Manual

Congratulations on your purchase of RocknRoller Multi-Cart, the most highly acclaimed and innovative carts or dollies ever. Although extremely easy to use, Multi-Cart's patented and ingenious design operates on a different principle than typical carts and dollies. To obtain maximum performance from your Multi-Cart, we recommend reading the owner's manual thoroughly. U.S. Patent #s: 5,228,716; 5,476,282; 6,966,574; 7,437,801; 7,490,847; & Pats. Pend.

LIMITED WARRANTY: Multi-Carts/RocknRollers carry a one year limited warranty against defective material or workmanship on basic frame and components. Casters and wheels carry a 60 day warranty against defects. As with any equipment, normal maintenance is required. Caution should be used when moving any load with Multi-Carts or any other dolly.

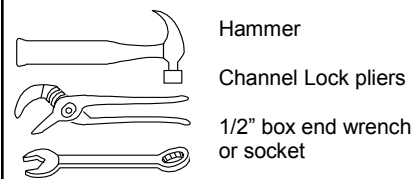
Model Specifications

	R2RT	R6RT	R8RT	R10RT	R12RT	R14RT
Length (compact)	26"	28"	34"	34"	34"	42"
Length (Extended)	39"	42.5"	52"	52"	52"	60"
Width (frame bed)	11"	12.5"	13.5"	13.5"	13.5"	15"
Width (rear wheels)	14"	18"	19"	20"	20"	20"
Height (folded)	6.5"	9.5"	9.5"	11"	12"	10"
Height (unfolded)	30.75"	33.25"	38.75"	40.5"	41.5"	38"
Front Casters	4"x1.0" w/brake	4"x1.0" w/brake	5"x1.25" w/brake	5"x1.25" w/brake	8"x2.0" w/brake	6"x1.50" w/brake
Rear Wheels	6"x1.50"	8"x2.0"	8"x2.0"	10"x3.0"	10"x3.0"	8"x2.0"
Weight	15.4 lbs.	22 lbs.	27.7 lbs.	30 lbs.	32.6 lbs.	36 lbs.
Load Capacity	350 lb / 24 cu. ft	500 lb / 27 cu. ft	500 lb / 32 cu. ft	500 lb / 32 cu. ft	500 lb / 32 cu. ft.	700 lb / 41 cu. ft.

Each RocknRoller Multi-Cart shipping box should contain a frame and the following parts:

Model R2RT	Models R6RT, R8RT, R10RT	Model R12RT, R14RT
(2) 6"x1.50" (150mmx37mm) wheels (2) 4.0"x1.0" (100mmx25mm) stem casters (2) 1/2" flat washers (2) 1/2"-13 nylon lock nuts (4) 1" (25mm) square plastic endplugs (12) 3/4" (20mm) square plastic endplugs (2) 1/8" x 1" cotter pins (2) 16mm flat washer (1) Owner's Manual	(2) 10"x3.0" (250mmx75mm) rear wheels (R10) (2) 8"x2.0" (200mmx51mm) rear wheels (R8/R6) (2) 5"x1.25" (125mmx32mm) stem casters (R10/R8) (2) 4.0"x1.0" (100mmx25mm) stem casters (R6) (2) 1/2"-13 lock nuts (2) 1/2" flat washers (5) 1" (25mm) square plastic endplugs (13) 3/4" (20mm) square plastic endplugs (2) 1/8" x 1 1/4" cotter pins (2) 20mm flat washers (1) Owner's Manual	(2) 10"x3.0" (250mmx75mm) rear wheels (R12) (2) 8"x2.0" (200mmx51mm) rear wheels (R14) (2) 8"x2.0" (200mmx51mm) stem casters (R12) (2) 6"x1.50" (150mmx37mm) stem casters (R14) (5) 1" (25mm) square plastic endplugs (R12) (5) 1.25" (32mm) square plastic endplugs (R14) (13) 3/4" (20mm) square plastic endplugs (R12) (13) 1" (25mm) square plastic endplugs (R14) (4) 1/8" x 1 1/4" cotter pins (2) 20mm flat washers (1) Owner's Manual

Recommended Tools For Assembly

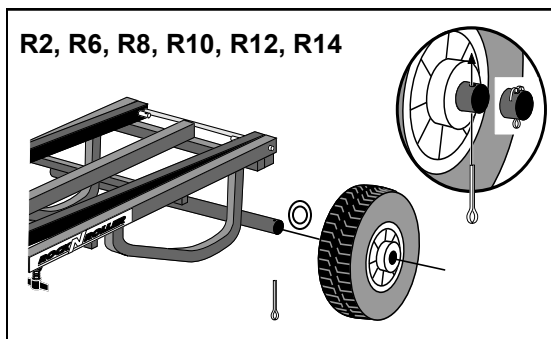


Assembly Instructions

CAUTION:

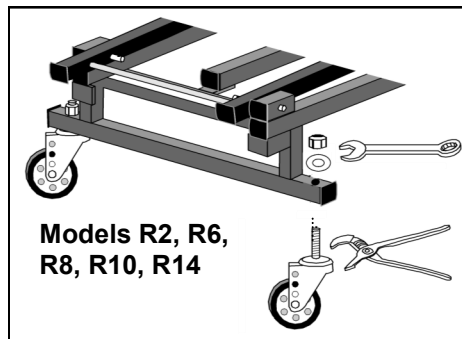
Be careful to not pinch or strike fingers during assembly. Be careful of metal burrs inside tubing.

1. Installing Rear Wheels

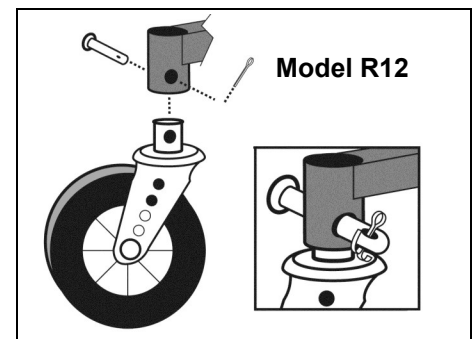


Gently slide wheel over axel as shown. Do not force wheels onto axel. It is recommended to lubricate axels with light grease before installing. Install cotter pins and bend ends outward. (*Pneumatic wheels only:* maintain tire pressure at 25 – 30 p.s.i. Make sure valve stem core is tightened using Schrader valve cap device. Check tire pressure periodically.)

2. Installing Front Swivel Casters



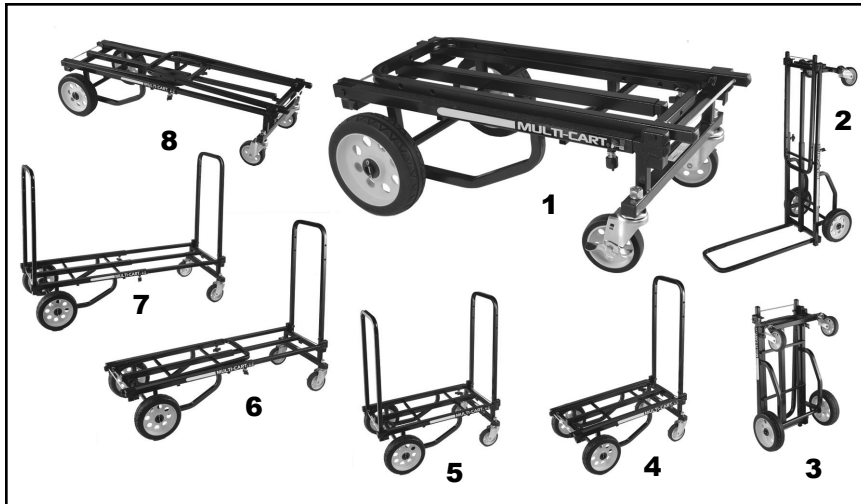
Attach front swivel casters as shown. While tightening lock nuts, grip bearing cap with channel lock pliers or pipe wrench to prevent threaded stem from turning. Tighten lock nuts firmly but not excessively tight. Check lock nut tightness on casters stems periodically.



Carefully insert caster stem into receptor tube and line up caster stem holes with the receptor tube holes. Stem should fit very snugly in receptor tube. (If stem is difficult to insert into tube: Occasionally, a little excess paint or metal shavings get in the receptor tube. If so, take a fine grain sandpaper and ream it out a little. Reinsert caster stem and clevis pins.

Multi-Carts instantly transform into any of 8 different configurations: 1. short furniture dolly, 2. long-nose luggage cart 3. storage/transport, 4. short platform cart, 5. short hi-stacker, 6. long furniture dolly, 7. long hi-stacker, 8. long platform cart. When using Multi-Cart in extended 4-wheel dolly configuration, distribute load evenly over frame bed when possible, placing the heaviest items over the large rear wheels to make rolling easier. Over rough terrain it is recommended to push cart with the large wheels forward. **Caution: When loading equipment on a hill or incline, set brake. (Block wheels if load is very heavy). Caution should be used when moving any load with Multi-Carts or any other dolly.**

MULTI-CARTS TRANSFORM INTO 8 CONFIGURATIONS



Extending Frame
Loosen wingbolts 1/4 turn. Step on rear axel and push in extension stop button. Pull up on frame as shown until stop button engages. Retighten wingbolts.



Raising Foldable Sides
Firmly press down on release cable while raising other end of foldable side as shown. Repeat with other side.

1. **SHORT FURNITURE DOLLY:** Place cart on all four wheels with sides folded down as shown.
2. **LONG NOSE LUGGAGE CART:** Extend cart into 4-wheel hi-stacker mode. Set on one end as shown, pull top release cable and lower top foldable side.
3. **STORAGE-TRANSPORT:** With sides upright, place cart on end, loosen wingbolts under frame 1/4 turn, push in extension stop button, and push down to compact cart to minimum length. Retighten wingbolts. Place cart on all 4 wheels. **FOLD HANDLES IN THIS ORDER:** 1st, push down release cable over large wheels with one hand and fold down side with the other hand. 2nd, fold side over front swivel casters in the same manner. Cart will not fold down correctly unless done in this order. Stand cart on end to store or place upside down to ride in vehicles or on airport conveyor belts.
4. **SHORT PLATFORM CART:** Firmly push down on release cable located over swivel casters with one hand while raising the foldable side with the other hand until side locks into place in upright position.
5. **SHORT HI-STACKER:** Raise both sides as previously described.
6. **LONG PLATFORM CART:** Take short hi-stacker configuration and set on 2 large wheels (upright). Loosen 2 wingbolts 1/4 turn and pull frame upward until button engages. Retighten wingbolts and set cart back on all 4 wheels.
7. **LONG HI-STACKER:** Raise folded handle of long platform cart.
8. **LONG PLATFORM CART:** From long hi-stacker configuration, fold down side over large wheels first, then fold down side over swivel casters.



Technical Support
(Music and Broadcast Industry — United States)

ACE PRODUCTS GROUP
3920 Cypress Drive, Suite B
Petaluma, CA 94954
Phone: 707-765-1500
www.rocknrollercart.com
email: info@aceproducts.com

Multi-Cart® Accessories

Removable Shelves



Mini Shelf



Flex-Straps



Solid Decks

