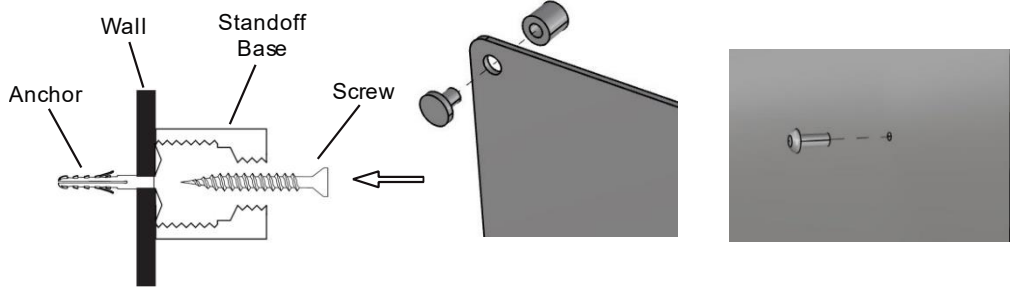


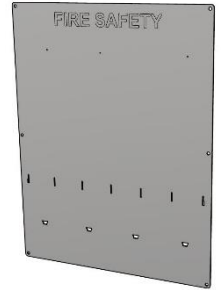
Assembly Instructions

1

Thread standoffs through all 6 holes along edges. Thread bolts through any holes in the body and attach nuts to back side.



Fire Safety Panel (1)



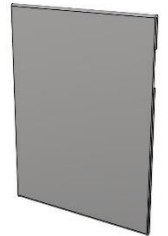
Standoff (6)



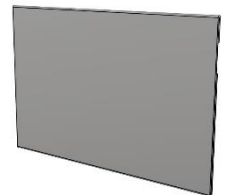
Nuts and Bolts (3)



8.5" x 11" Sign Holder (1)

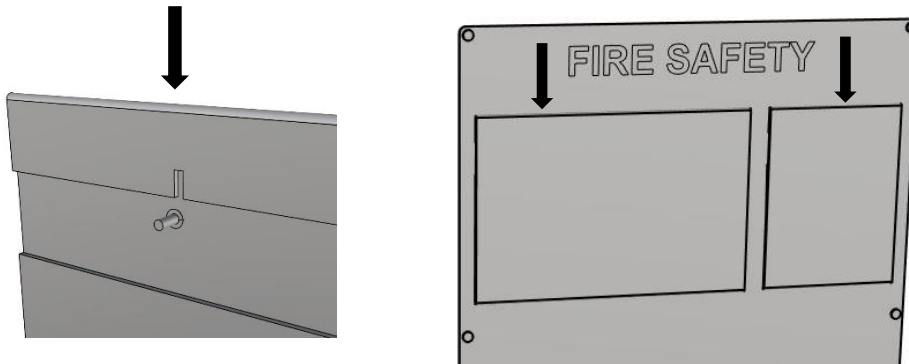


11" x 17" Sign Holder (1)



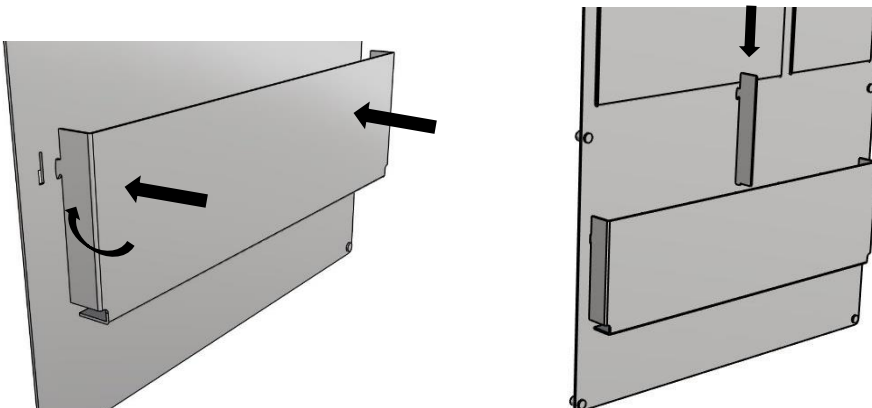
2

Attach both sign holders to the top of the body panel by sliding both key holes down onto the bolt. Tighten the nut on the back.

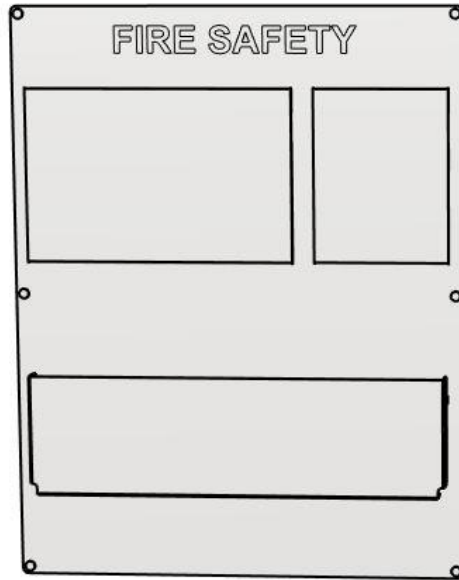


3

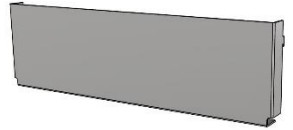
Attach bottom pocket by pinching in both sides of the pocket and pressing into the holes in the back plate. Press down and click the pocket into place. Drop dividers down into slots inside of the pocket.



4



Pocket (1)



Dividers (5)



Scan QR code to visit
the product page:



If you have any questions regarding our products, please visit us at www.displays2go.com or contact D2g customer service at 844-221-3388.