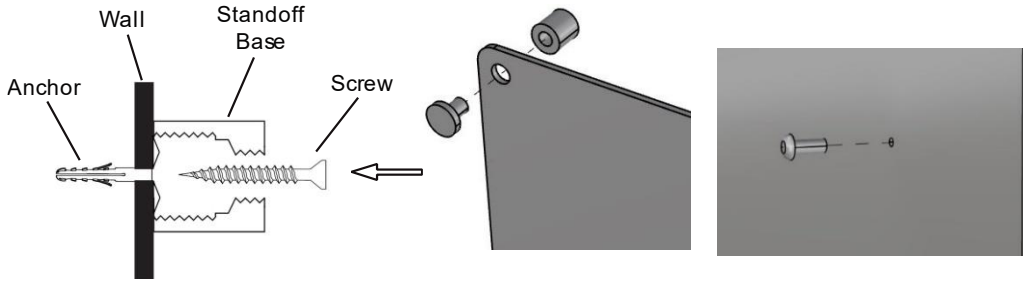
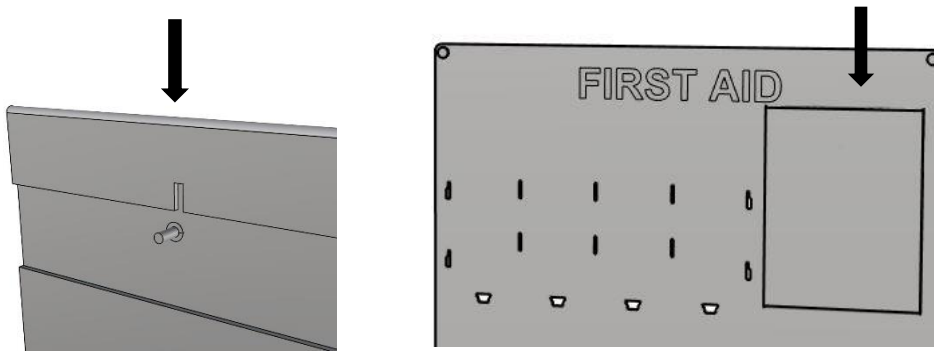


Assembly Instructions

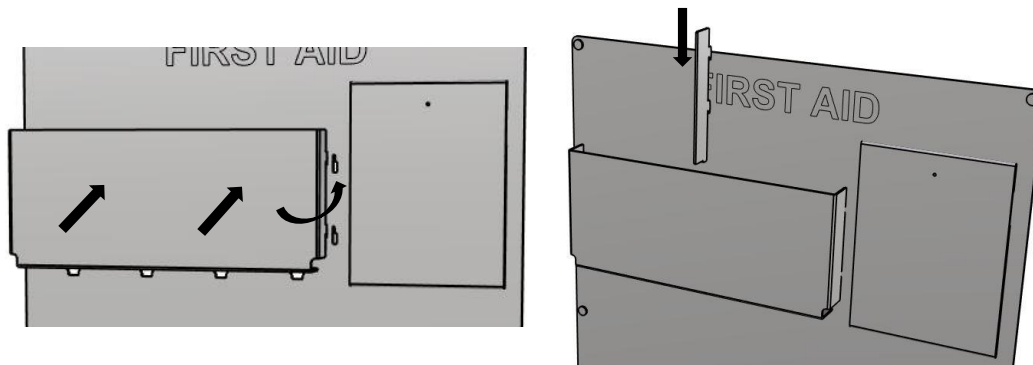
- 1** Thread standoffs through all 6 holes along edges. Thread bolts through any holes in the body and attach nuts to back side.



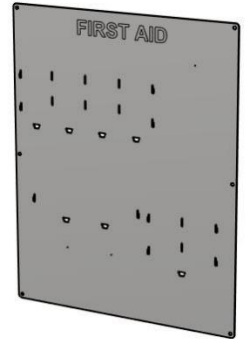
- 2** Attach sign holder to the top of the body panel by sliding key holes down onto the bolt. Tighten the nut on the back.



- 3** Attach pocket by pinching in both sides of the pocket and pressing into the holes in the back plate. Press down and click the pocket into place. Drop dividers down into slots inside of the pocket.



First Aid Panel (1)



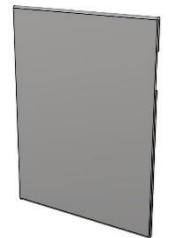
Standoffs (6)



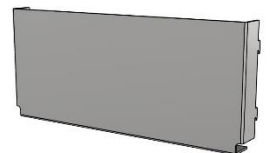
Nuts and Bolts (3)



8.5" x 11" Sign Holder (1)



Large Pocket (1)

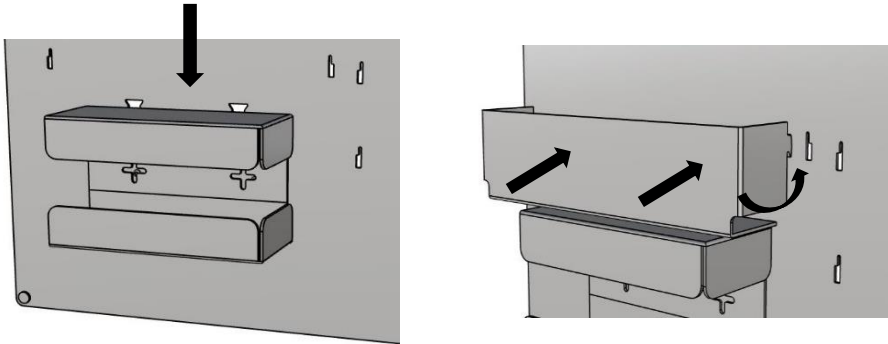


Divider (4)

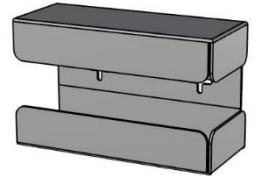


4

Attach Glove Box Holder to the body panel by sliding key holes down onto the two bolts. Tighten the nuts on the back. Attach pocket by pinching in both sides of the pocket and pressing into the holes in the back plate.



Glove Box Holder

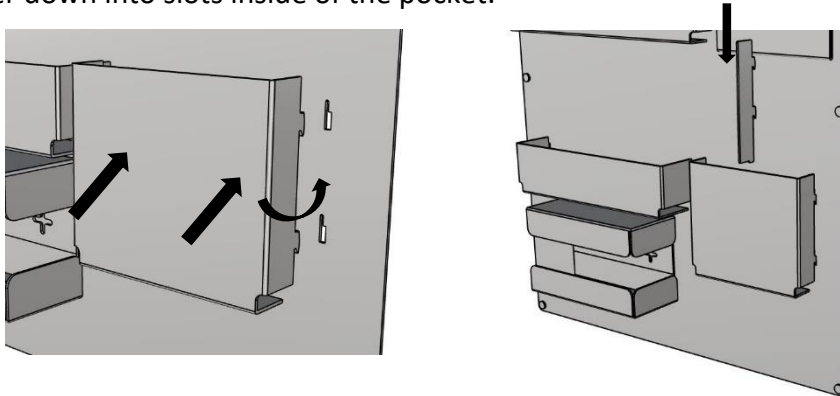


First Aid Box Pocket (1)

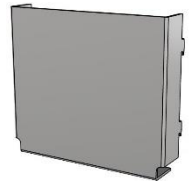


5

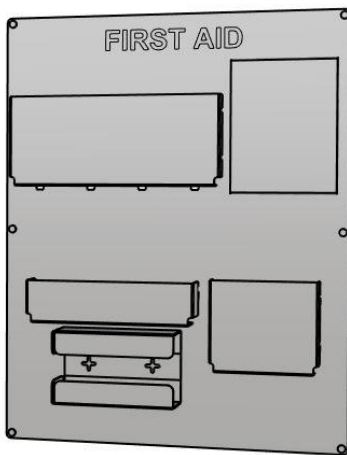
Attach pocket by pinching in both sides of the pocket and pressing into the holes in the back plate. Press down and click the pocket into place. Drop divider down into slots inside of the pocket.



Small Pocket (1)



6



Scan QR code to visit the product page:



If you have any questions regarding our products, please visit us at www.displays2go.com or contact D2g customer service at 844-221-3388.