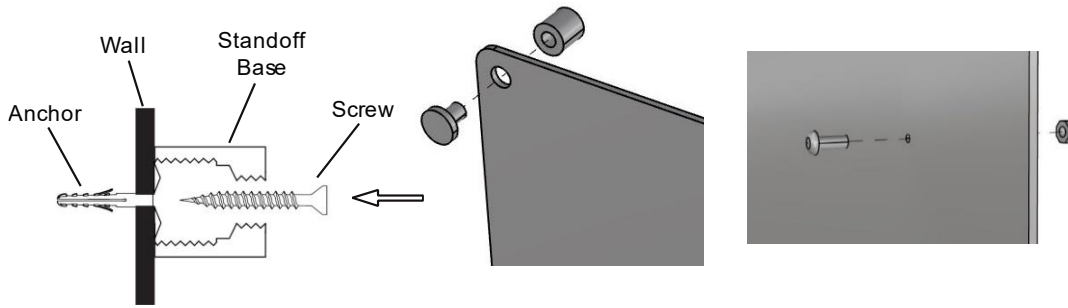
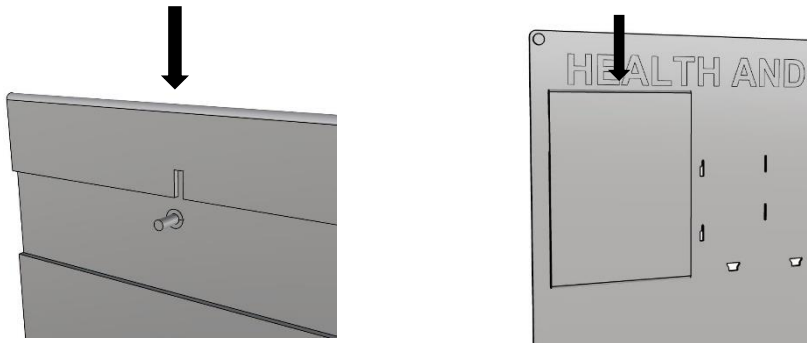


Assembly Instructions

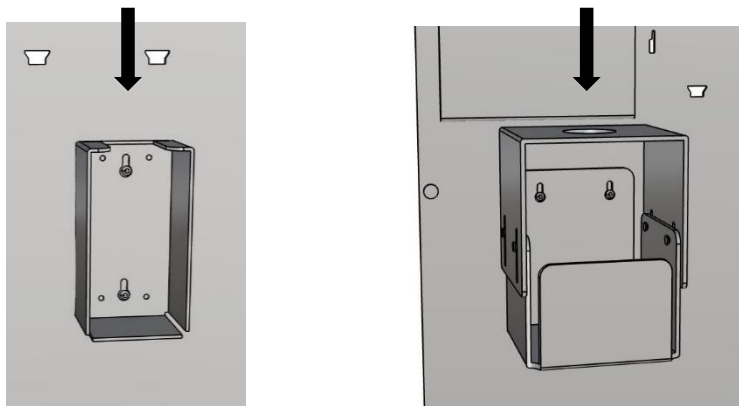
- 1** Thread standoffs through all 6 holes along edges. Thread bolts through any holes in the body and attach nut to back side.



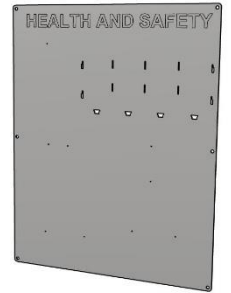
- 2** Attach sign holder to the top of the body panel by sliding key holes down onto the bolt. Tighten the nut on the back.



- 3** Attach both Hand Sanitizer Holder and Wipe Holder to the body panel by sliding key holes down onto the two bolts. Tighten the nuts on the back.



Health and Safety Panel (1)



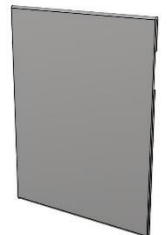
Standoffs (6)



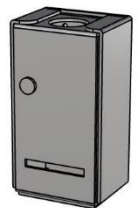
Nuts and Bolts (9)



8.5" x 11" Sign Holder (1)

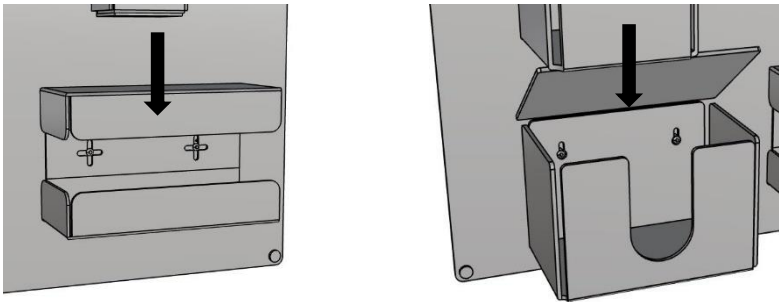


Hand Sanitizer Holder (1)

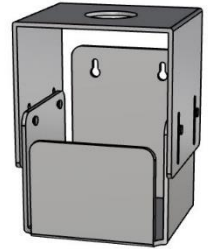


4

Attach both Glove Box Holder and Mask Holder to the body panel by sliding key holes down onto the two bolts. Tighten the nuts on the back.

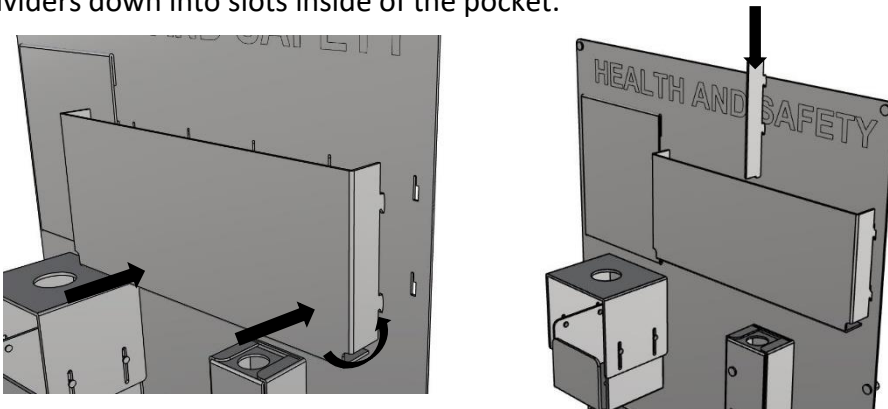


Wipe Holder (1)

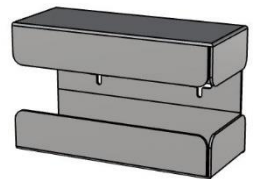


5

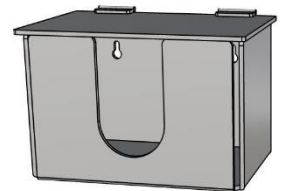
Attach pocket by pinching in both sides of the pocket and pressing into the holes in the back plate. Press down and click the pocket into place. Drop dividers down into slots inside of the pocket.



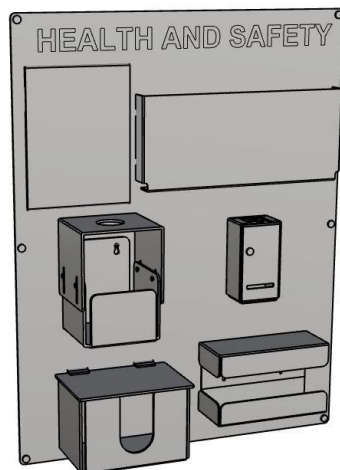
Glove Box Holder (1)



Mask Holder (1)



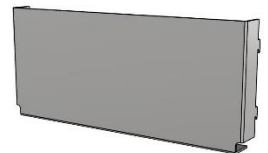
6



Scan QR code to visit the product page:



Pocket (1)



Divider (3)



If you have any questions regarding our products, please visit us at www.displays2go.com or contact D2g customer service at 844-221-3388.