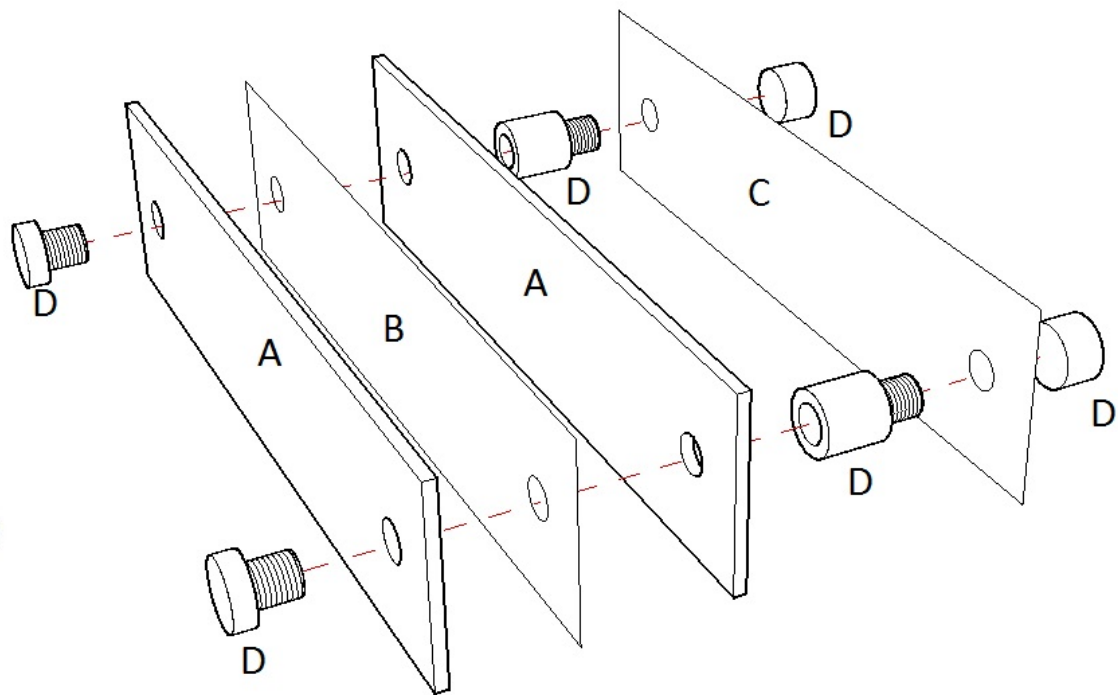


# RSIGN82MD



A=Acrylic  
B=Printer Template  
C=Backer  
D=Standoff