

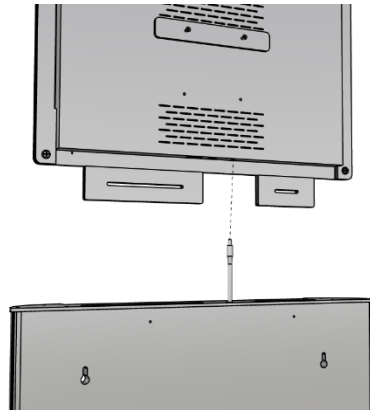
Assembly Instructions

SCREENCHG8

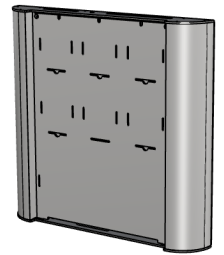
DISPLAYS2GO

1

With power chord coming through the top hole of the main body unit, plug into the bottom of screen. Make sure data storage device is in place at this time. Once the unit is attached you will not have access to it.

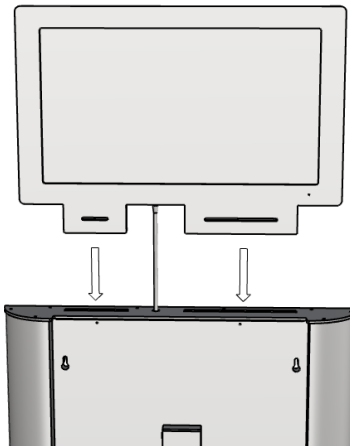


Wall Charging Unit

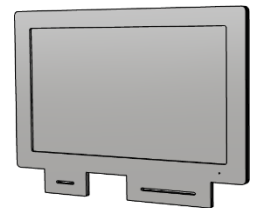


2

Line up the tabs on the screen mount with the slots in the top of the wall unit. Slide down into place.

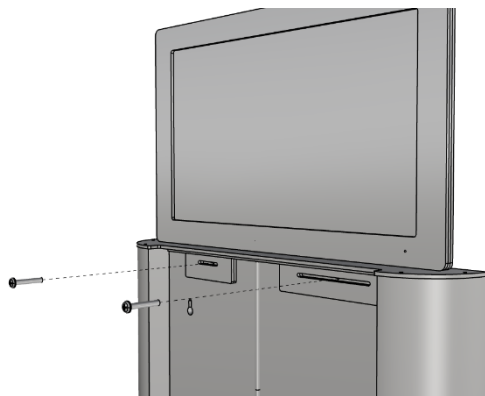


Screen Mount



3

Secure to the wall unit using 2 screws provided.



Mount Bolts

