

# Shot Glass Display Case, Wall Mounting Instructions

1.

Ensure mounting bracket is level using a carpenter's spirit level.

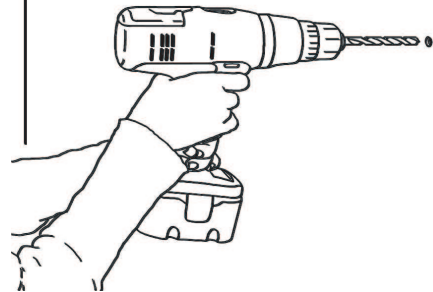
Mark two [2] hole locations through holes in mounting bracket.

Measure desired distance from floor to top mounting bracket.

**Please Note!**

It is recommended to screw into wall studs for secure mounting. Please consult an experienced professional for any questions regarding wall mounting.

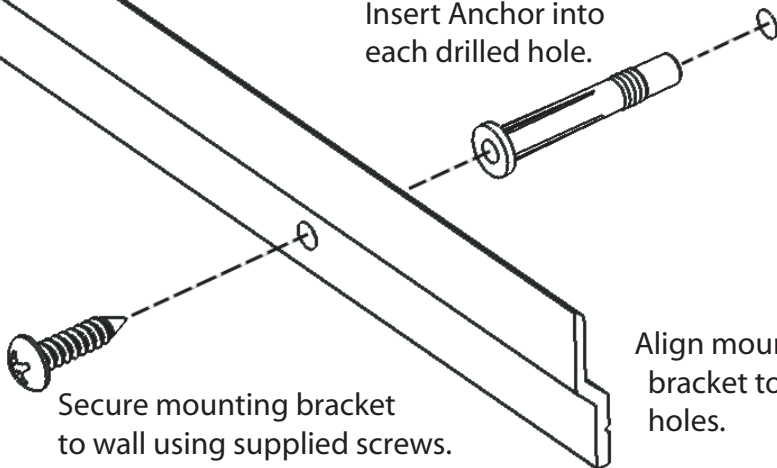
2.



Drill hole in wall at each marked location.

3.

Insert Anchor into each drilled hole.



Secure mounting bracket to wall using supplied screws. Mounting bracket must not be loose on wall.

Align mounting bracket to anchor holes.

# Shot Glass Display Case, Wall Mounting Instructions

4.

Lift case just above mounting brackets on wall. Push case to wall and slowly lower case onto bracket. Visually check that both brackets on case are seated on both mounting brackets on wall before releasing case.



**IMPORTANT!**  
**Two Person Lift**

