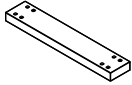
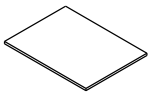


1X base



1X top rail



6X glass shelves



2X poles



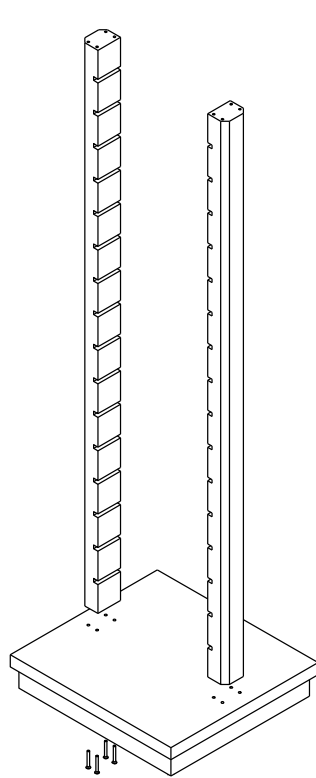
16X screws
M6x50



12X stoppers



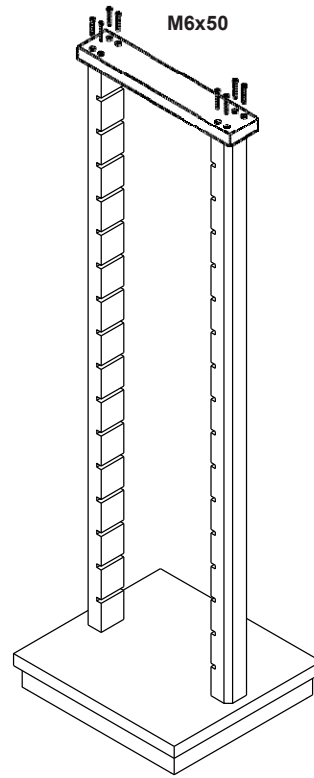
1X allen key



M6x50

1

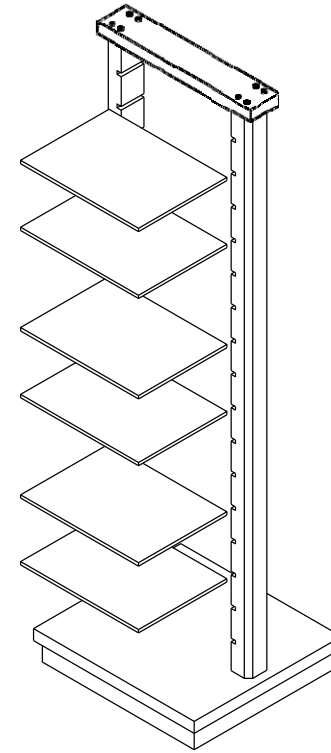
Fix two poles to base with screws from below (channels must be opposite each other).



M6x50

2

Fix the partition /top rail to the poles on top with screws.



3

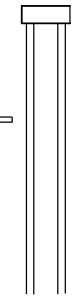
Slide the glass shelves into channels (choose requested position). Stoppers prepared to stop the slide on one side.

SIDE VIEW

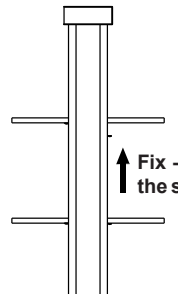
a)



Slide in the shelves to stop with stopper.



b)



Fix - stick the stopper.

4

Beware of stoppers in position as shown (from below). After positioning the shelves, fix it with stopper on other side.

... SLTSHV