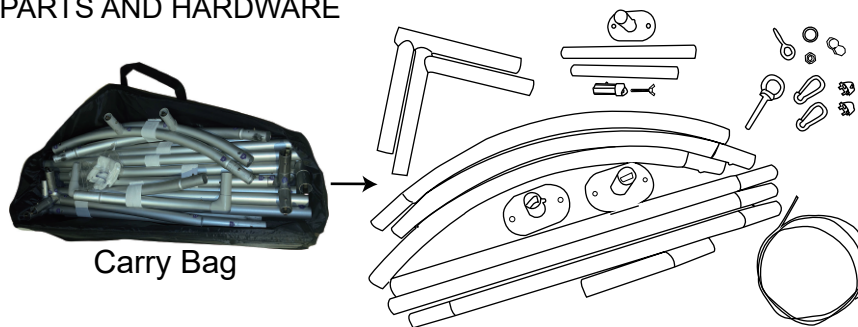
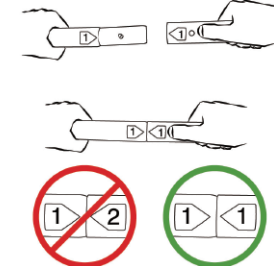


## PARTS AND HARDWARE



CAUTION: Before starting the assembly, wear gloves to protect your hands.

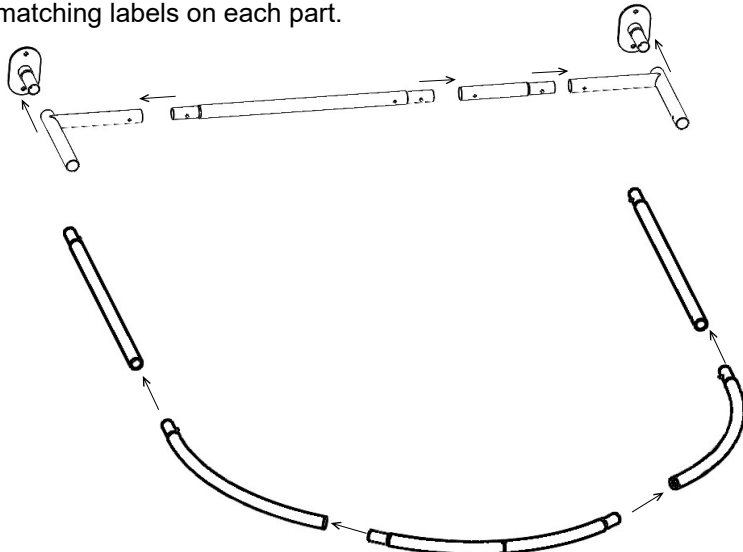
Connect tubes by matching the numbers on the ends.



Carry Bag

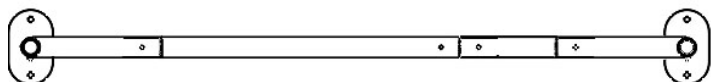
NOTE: Mounting hardware are not included. Consult your local hardware store to choose the hardware that best fit your wall. If you have questions on how to install the product, please call a qualified contractor or contact [Displays2go.com](http://Displays2go.com)

1. Snap and connect frame tubes with mounting brackets by matching labels on each part.

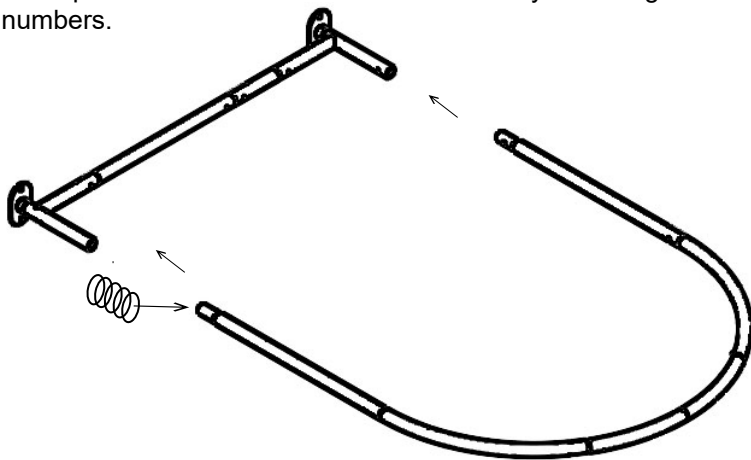


2. Hold the assembled tube with mounting brackets at the desired mounting location on the wall. Mark the center through the hole with a pencil. Keep the tube level using a bubble level.

Attach to wall using appropriate hardware. NOTE: Mounting hardware not included.

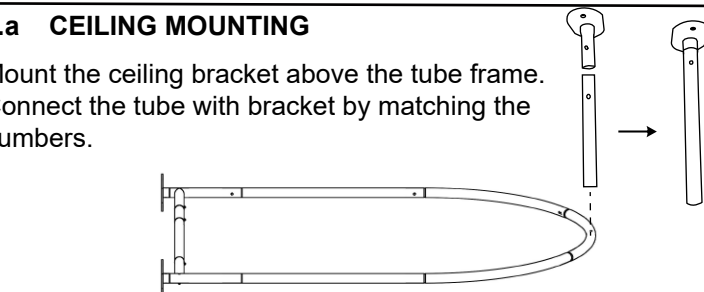


3. If using curtain hooks (not supplied), slide appropriate quantity onto the straight tube and connect the assembled U-shaped tubes with the mounted brackets by matching the numbers.

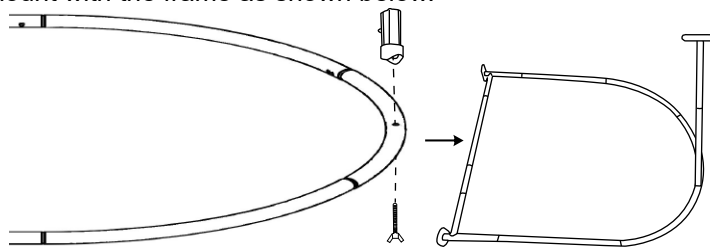


### 4.a CEILING MOUNTING

Mount the ceiling bracket above the tube frame. Connect the tube with bracket by matching the numbers.

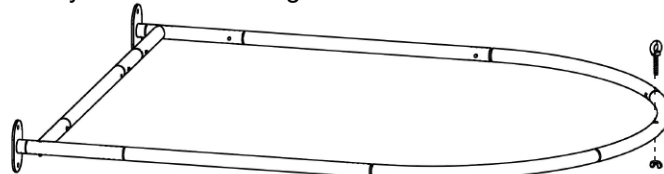


Fix the connecting tube with wing screw. Connect the ceiling mount with the frame as shown below.

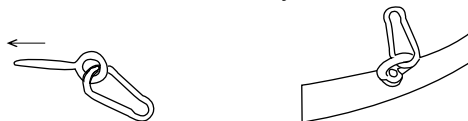


### 4.b WALL MOUNTING

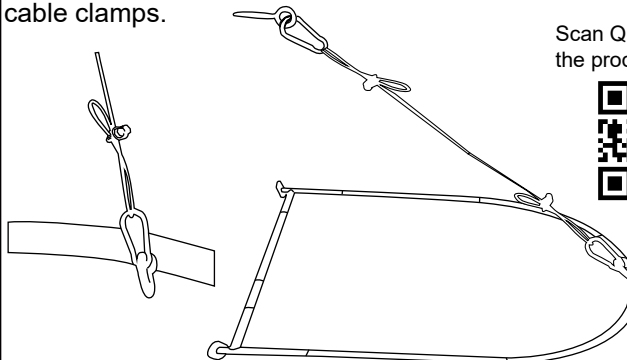
Fix the eyebolt with the wing nut at the front of the frame.



Secure the screw eye to the same wall above the frame. Hook one carabiner onto the screw eye, and another one onto the eyebolt.



Use the cable to loop the carabiners and secure the cable with cable clamps.



Scan QR code to visit the product page:

