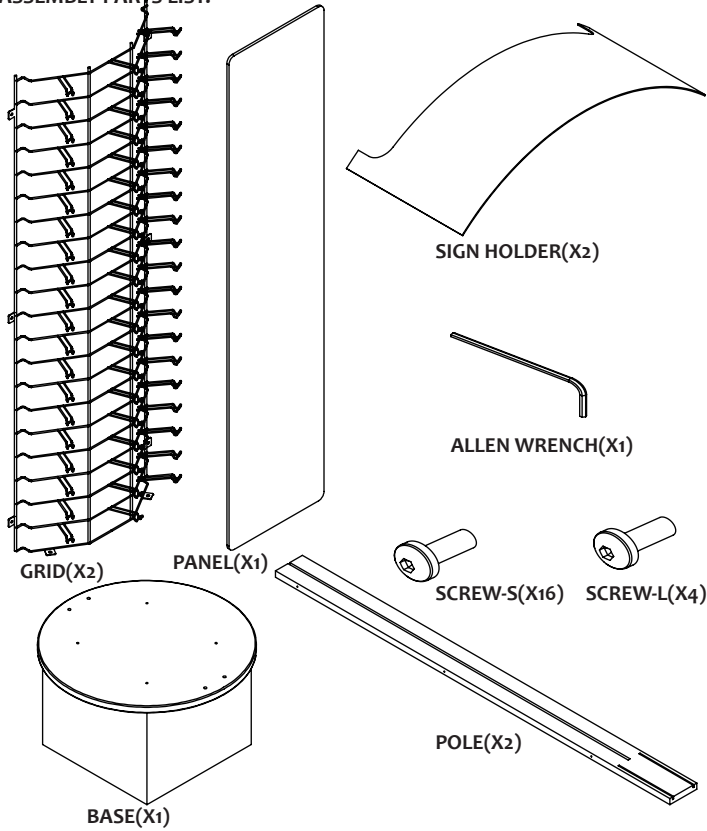


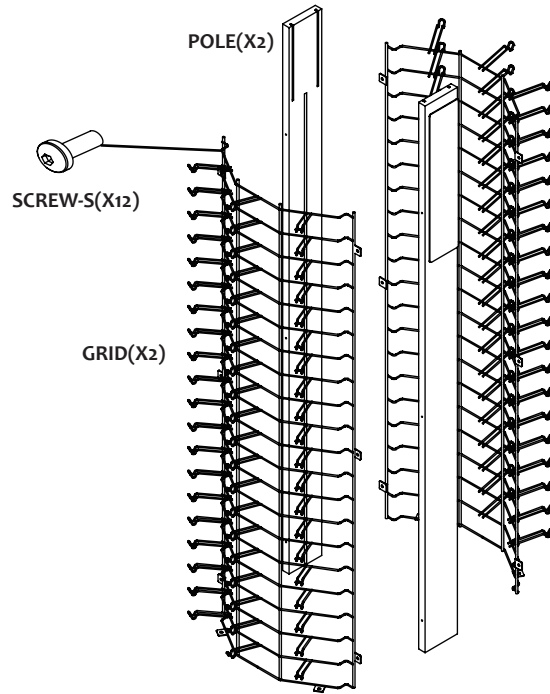
# SNGLS120 ASSEMBLY INSTRUCTION

## ASSEMBLY PARTS LIST:



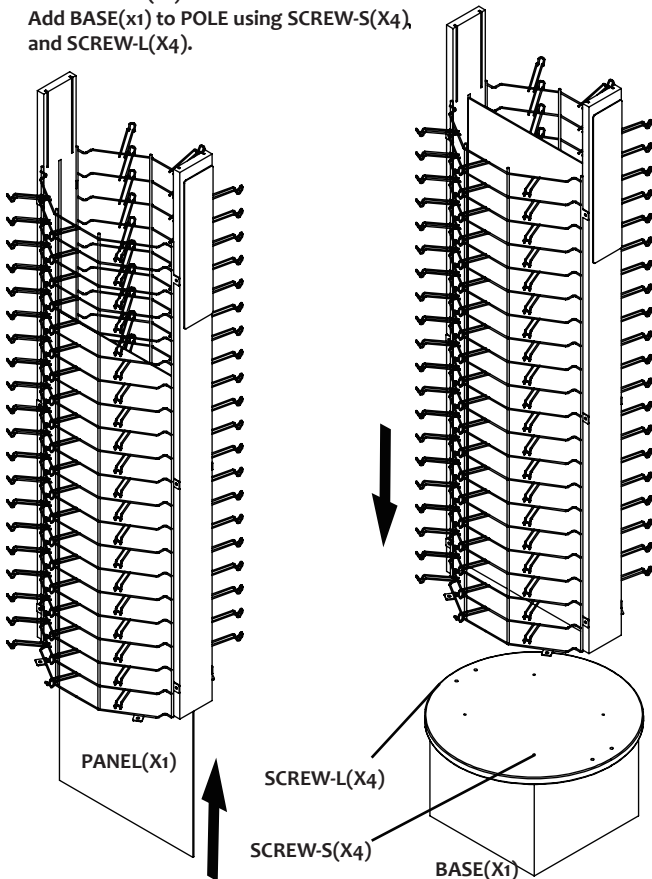
## STEP 1 :

Add GRID(X2) to POLE(X2) using SCREW-S(X12).



## STEP 2:

Insert PANEL(X1) to POLE.  
Add BASE(x1) to POLE using SCREW-S(X4),  
and SCREW-L(X4).



## STEP 3:

Insert TOP SIGN(X2) to POLE.

