

Instruction for the use of the LED power supply

Model: SNP15-12VL(UL)

Applications

The LED power supply SNP15-12VL(UL) is exclusively designed for the Light Emitting Diode (LED) lamps used in indoors. It is a switch mode power supply with 12VDC constant output voltage.

An electronic protection circuit switches off the power supply in case of short circuit or overload in the secondary circuit, overheat as well as open circuit. After the removing of the faults, the LED power supply is resetting automatically for operation again.

Important information for the installation

The unit conforms to the UL 8750 for safety regulation and FCCPART 15 for electromagnetic compatibility

- The LED power supply can only be used with the LED lamps.

- The LED power supply is only suitable for use in indoors. Protect the LED power supply against excessive heat (permissible operating temperature range -20 to $+45^{\circ}\text{C}$).

- The loads indicated on the power supply must neither exceed nor below the following values:

SNP15-12VL(UL): 0-15W

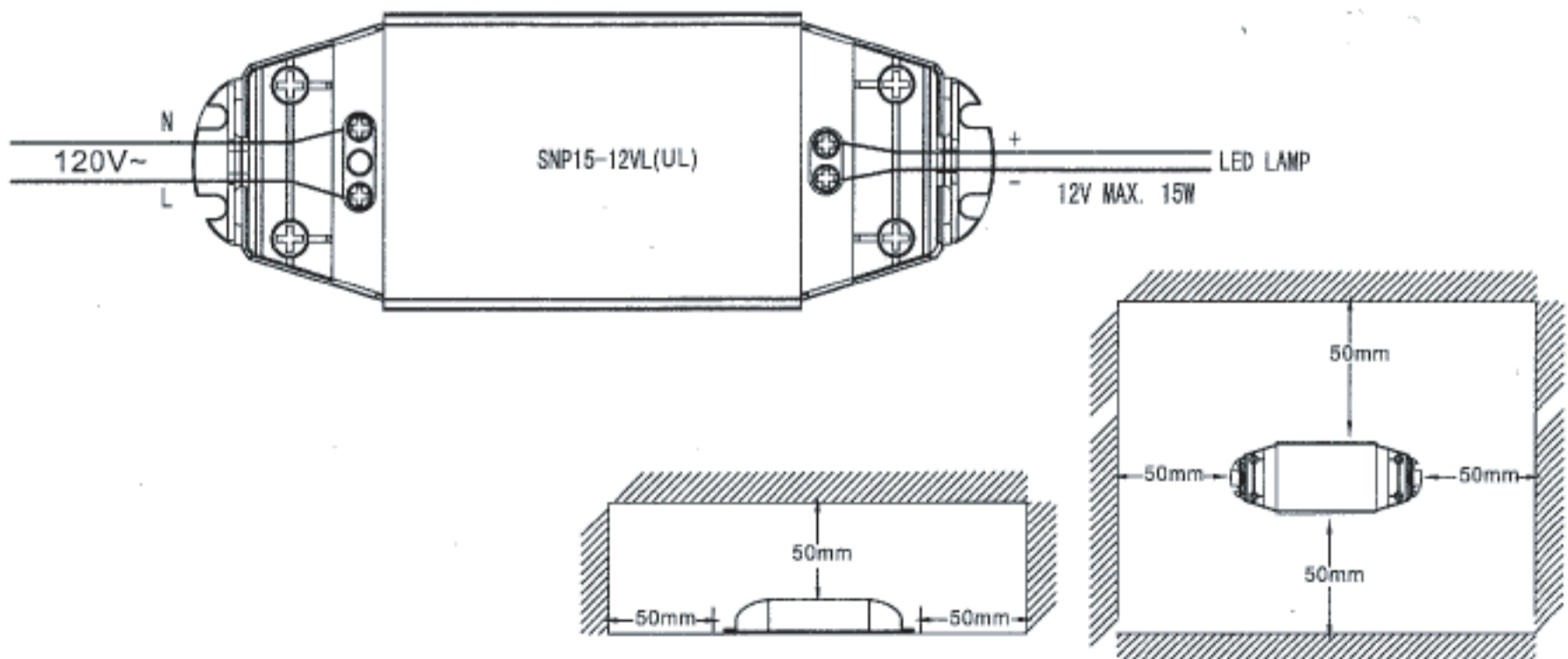
- Connect the LED lamps to the LED power supply with correct polarity according to the schematic drawing.

- The maximum length of the output cable to the LED lamps should not exceed 2m in order to meet the FCC standard.

- If the LED power supply is used for purposes other than originally intended or it is connected in the wrong way, no liability can be taken over for possible damages.

Specifications:

Input voltage:	120V +/-10% 60Hz
Input current:	<0.25A
Output voltage:	12VDC +/-5%
Rated power:	15W
Protection degree:	IP20
Ambient temperature t_a :	Max. 45°C
Case temperature t_c :	Max. 80°C
Primary cable:	SPT-2 18AWG
Secondary cable:	SPT-2 18AWG



Mounting Location Dimension

NINGBO SNAPPY OPTOELECTRONICS CO.,LTD.

ADD:NO.56,Keda Road,National Hi-tech park of Ningbo,china

P.C.:315000

TEL:0574-27902582 FAX:0574-27902591

E-mail:sales@snappy.cn Http://www.snappy.cn