
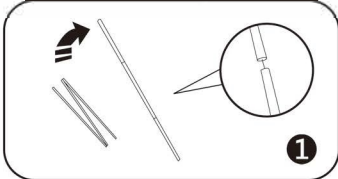
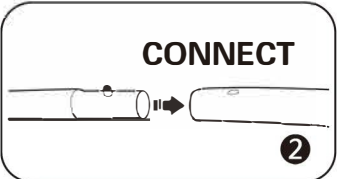
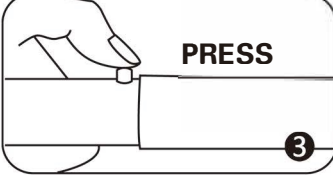
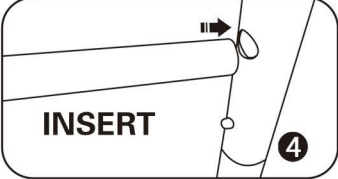
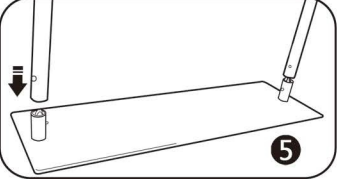
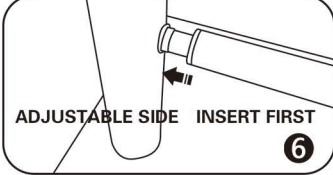
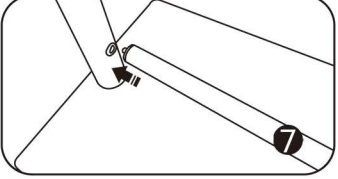


# INSTRUCTION

Follow the label instructions to assemble the frame

**CONNECT**

**PRESS**

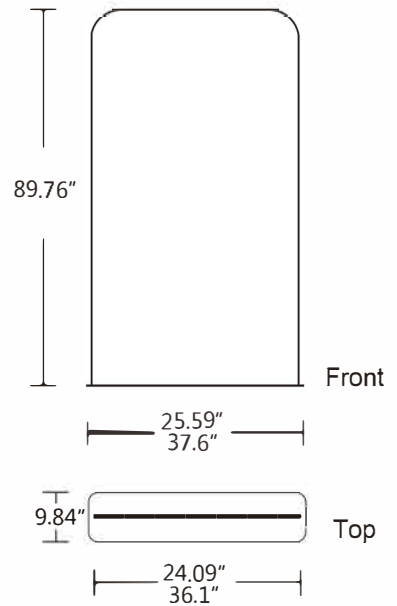
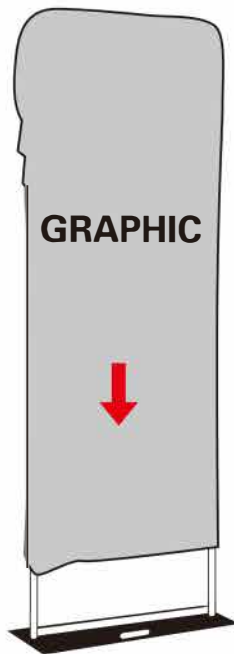
**INSERT**

**ADJUSTABLE SIDE INSERT FIRST**

**General Tips**

If using a graphic, insert over the frame between steps 5 and 6, Slide the bottom bar through the fabric after zipping, then screw in place to create a taut display.

If the tubes do not easily separate when dismantling, push the tube forward then pull out again.



Graphic Size :  
W 25.2" x H 90.94"  
W 37.4" x H 90.55"