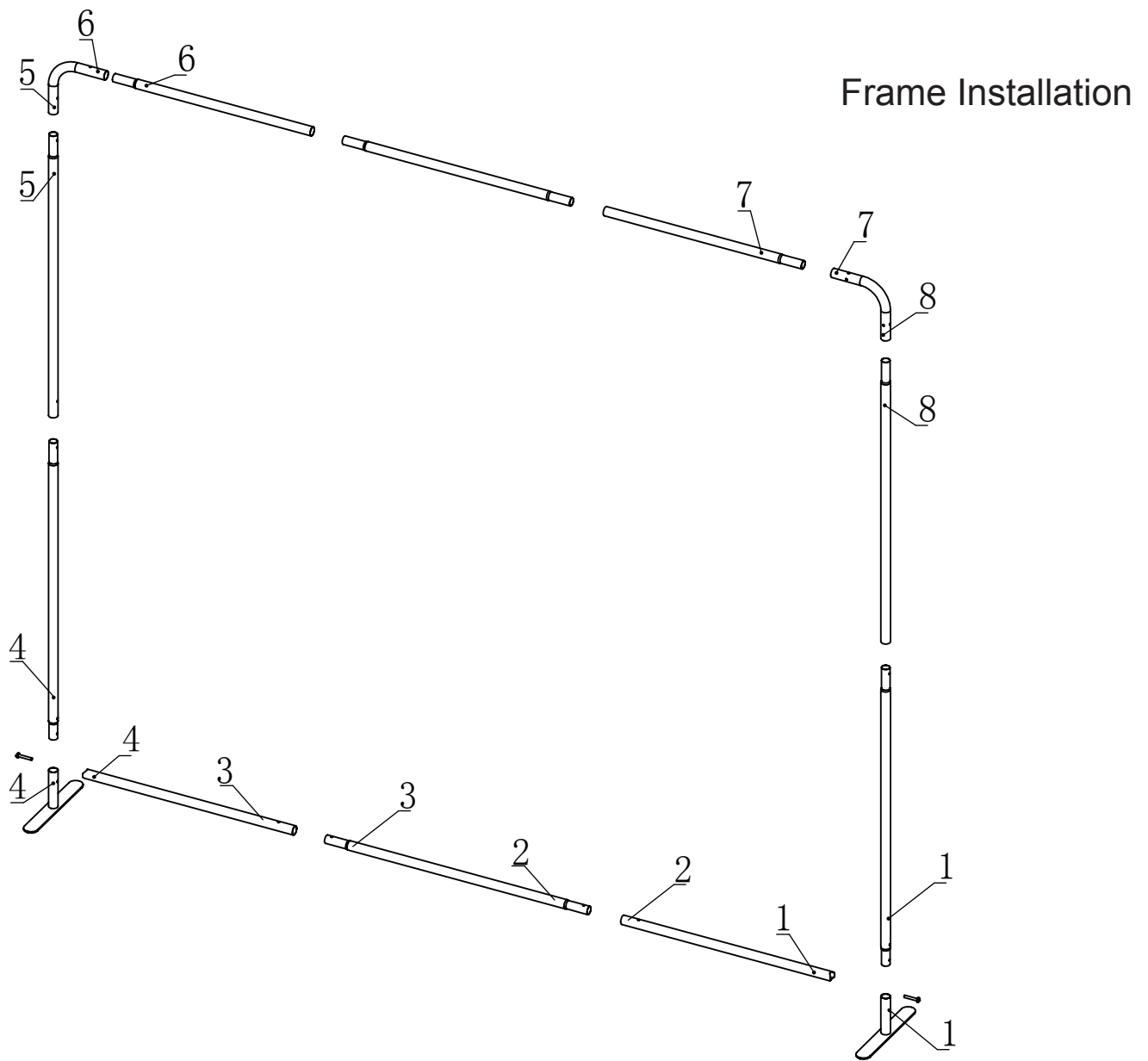
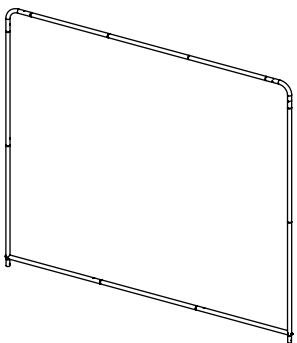


STFR8R - 8' Elegance III Straight Wave Series

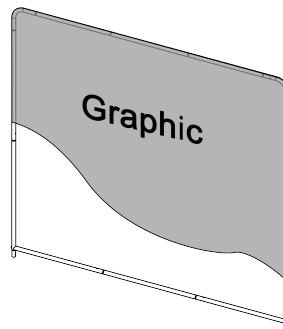


Frame Installation



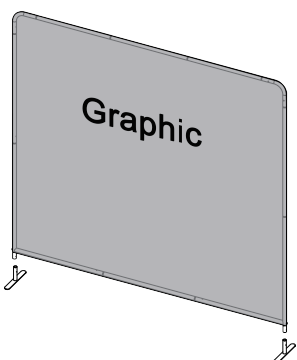
step 1:

There are some figures labeled on every tubes, connecting the same figures together to make up of the frame.
(Please noted that don't install the leg now)



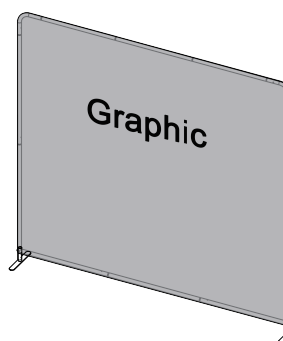
step 2:

Put the graphic on the ready frame.



step 3:

Install the leg now.



step 4:

Completed.