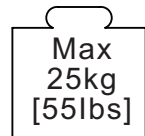
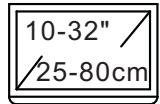
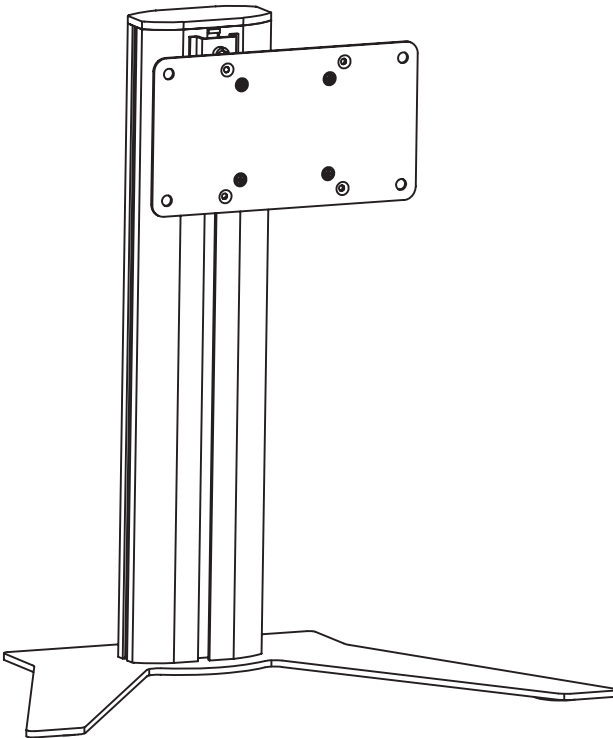
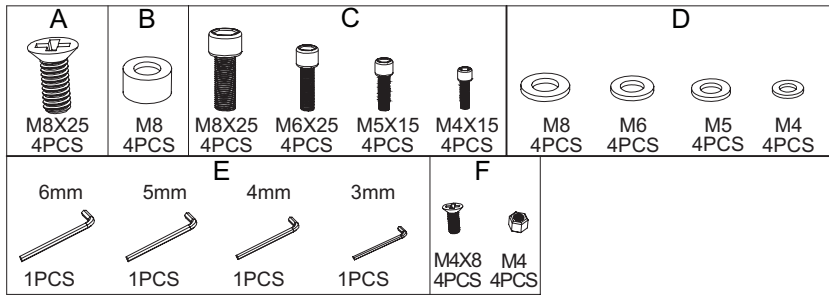
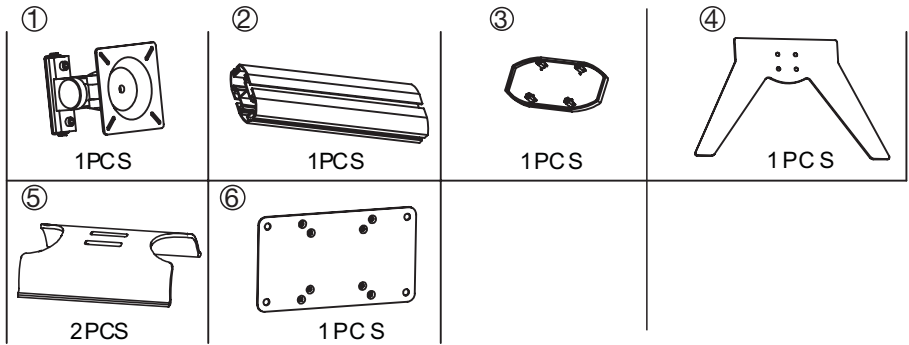


DISPLAYS2GO

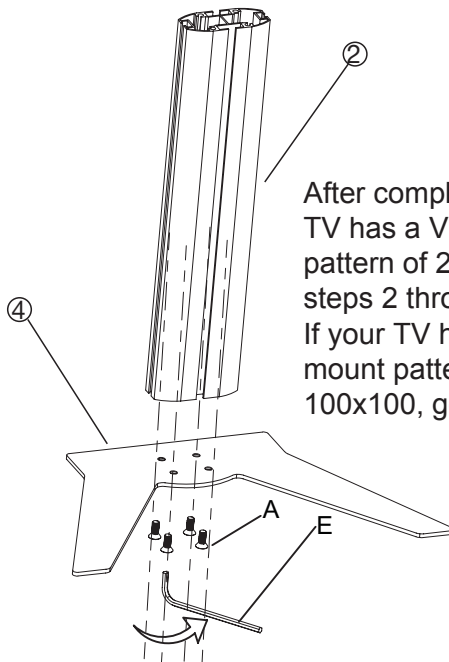
TBLMM32S



Max200/100

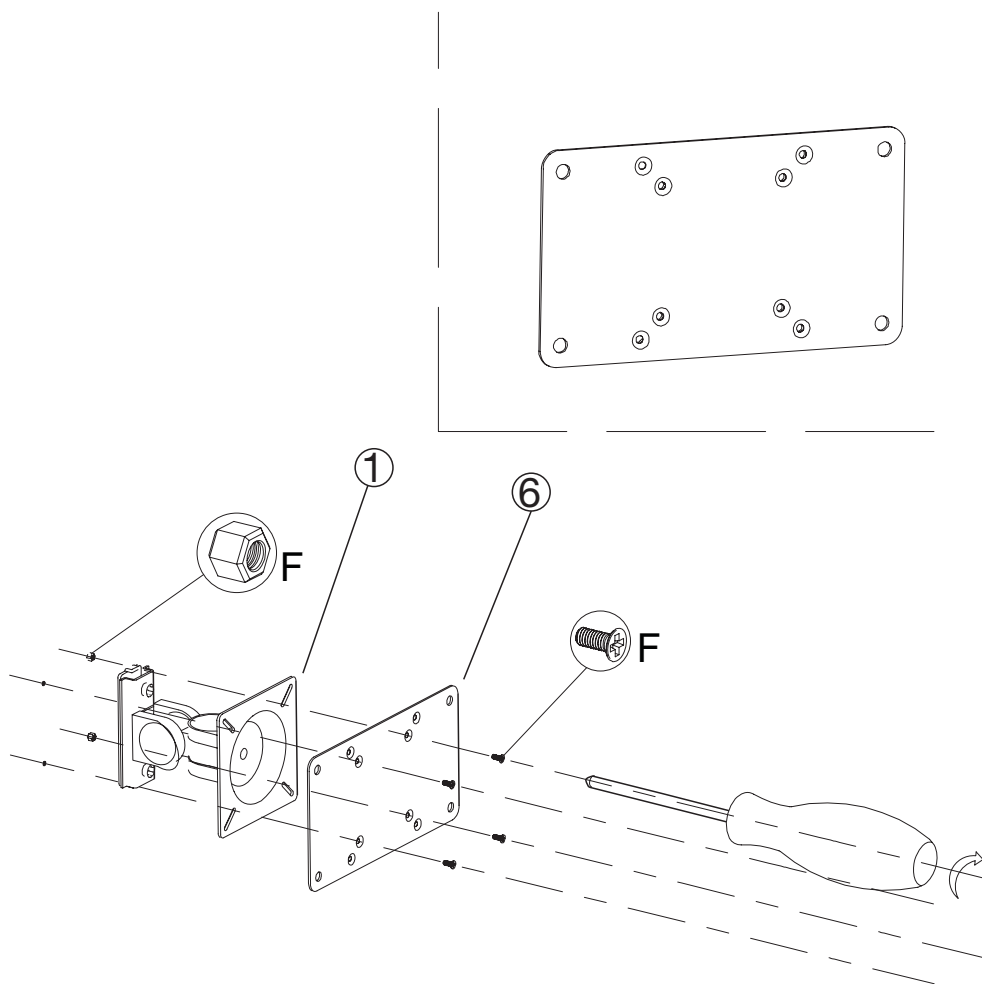


1

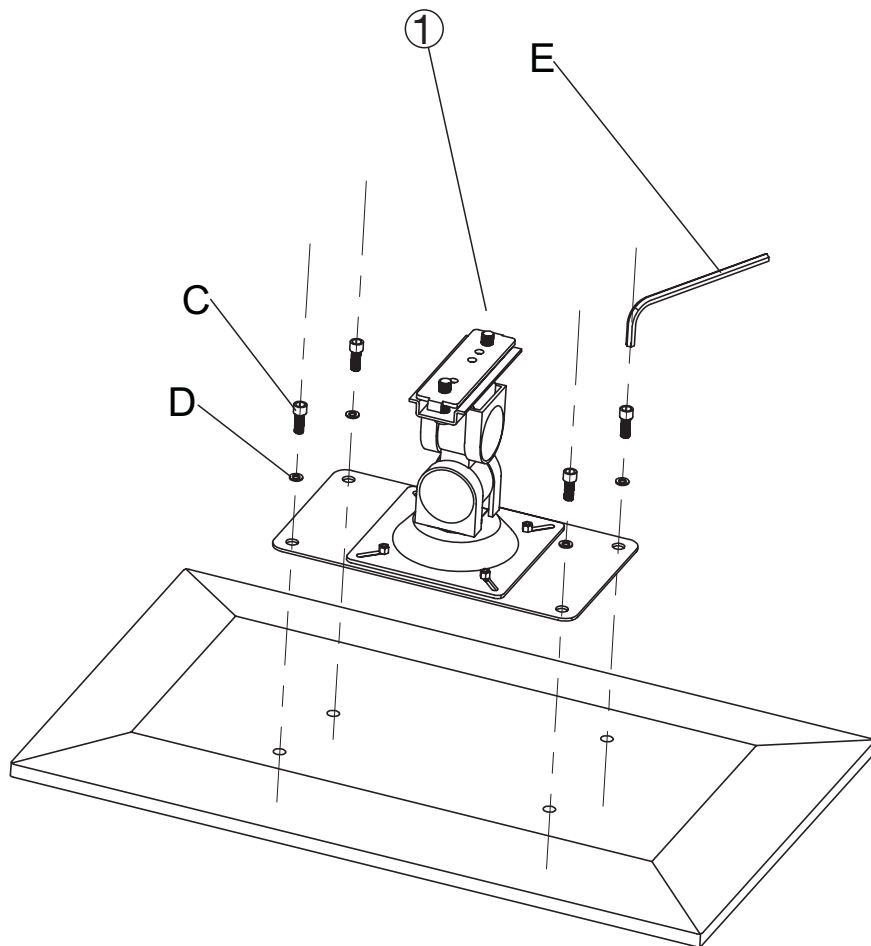


After completing Step 1, if your TV has a VESA hole mount pattern of 200x100, follow steps 2 through 3C.
If your TV has a VESA hole mount pattern of 75x75 or 100x100, go directly to step 4A.

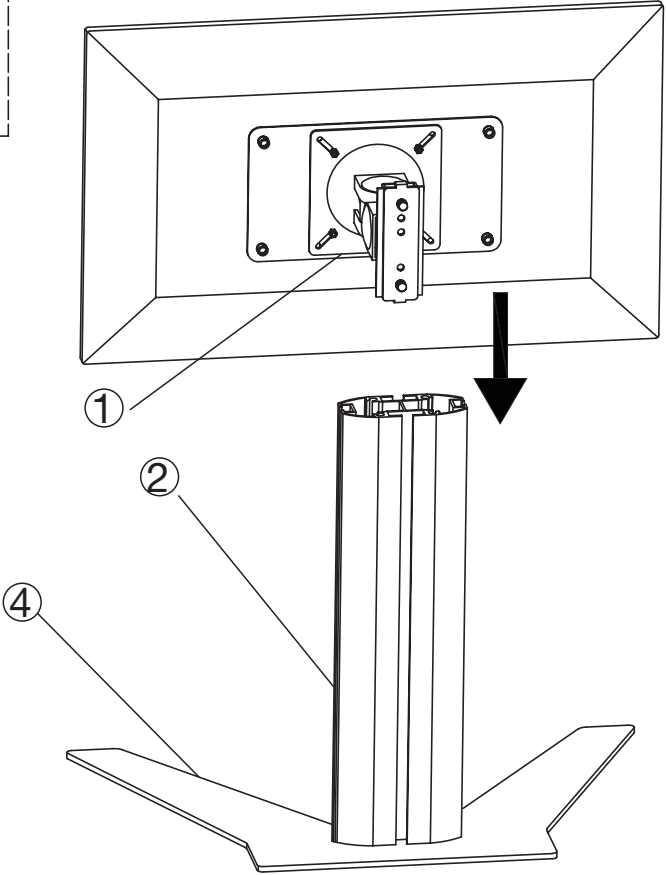
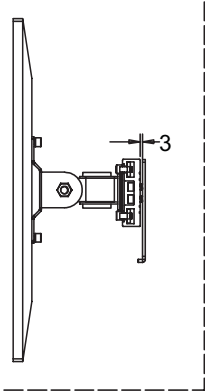
2 This step only applicable for screens with VESA mount pattern 200x100



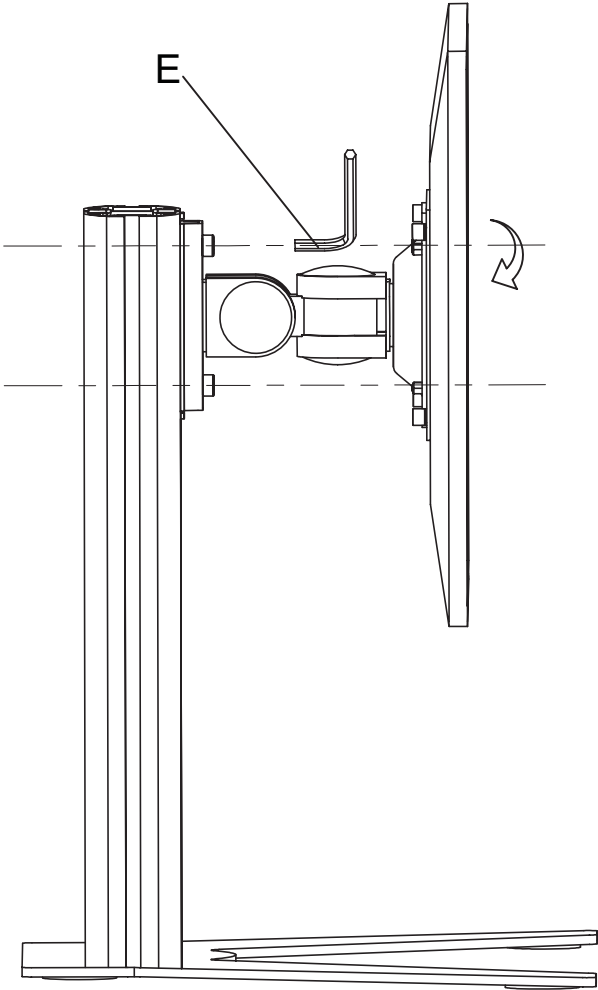
3A This step only applicable for screens with VESA mount pattern 200x100



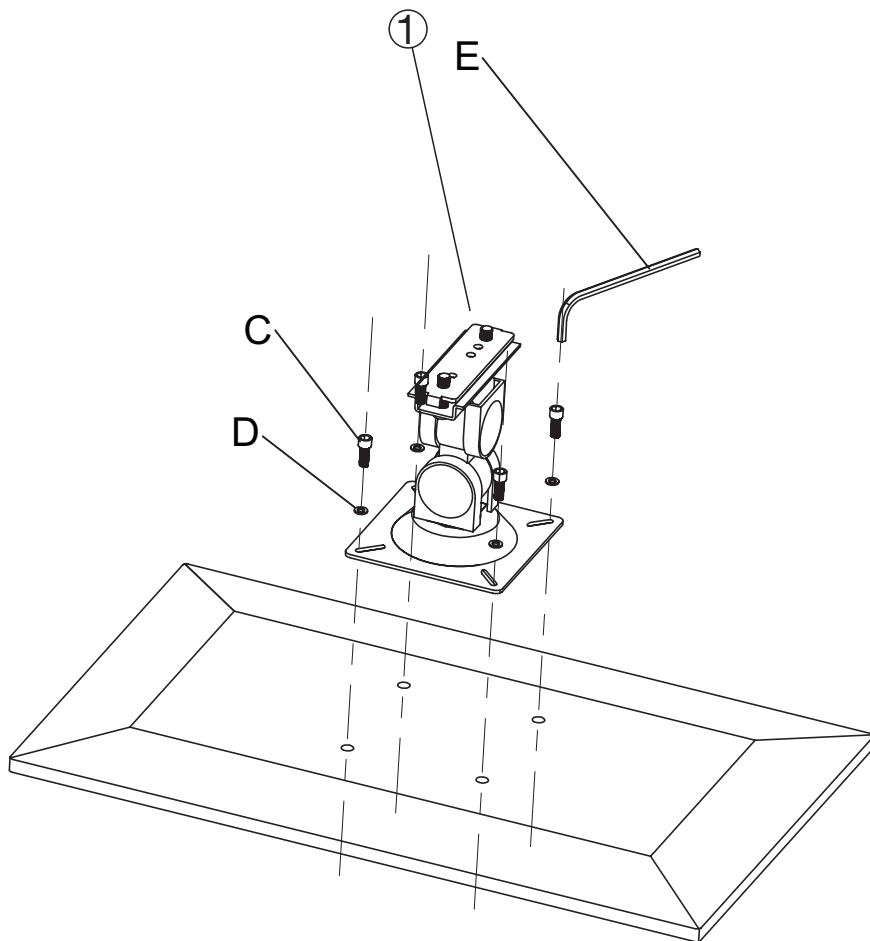
3B



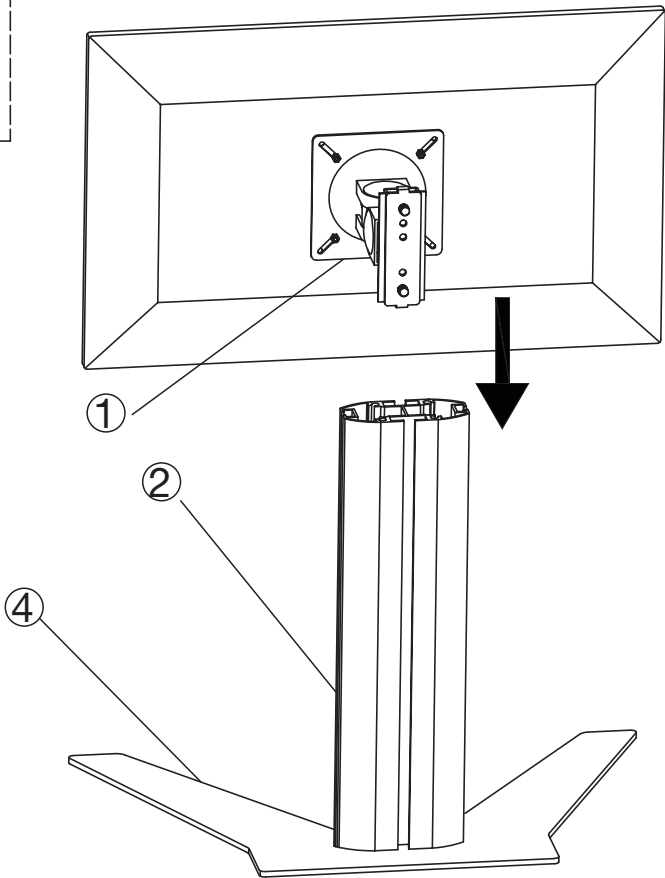
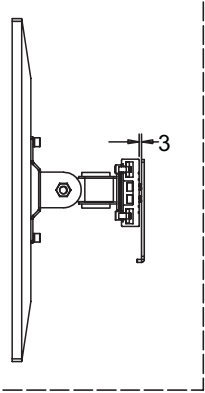
3C



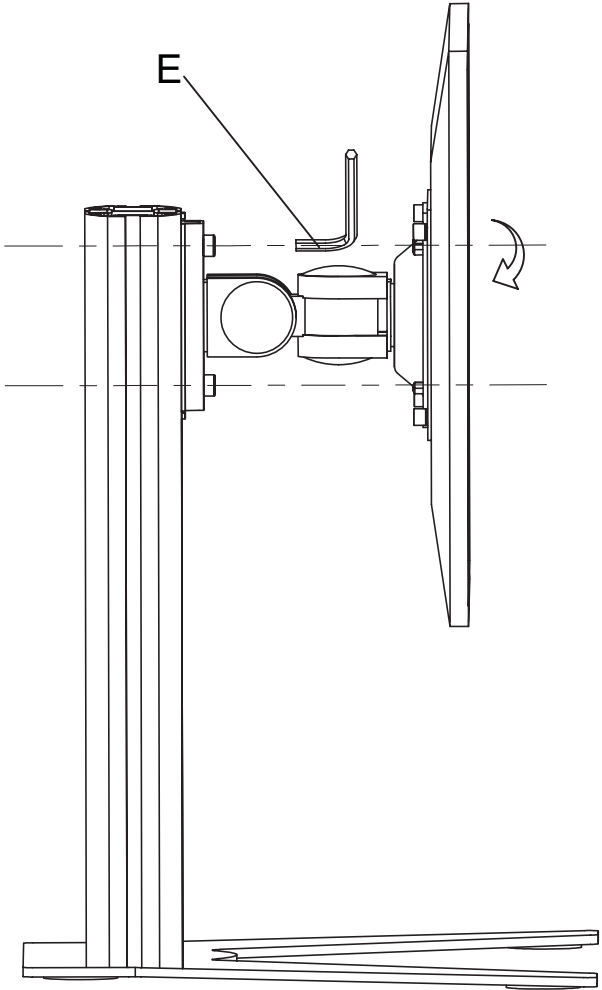
4A This step only applicable for screens with VESA mount pattern 75x75 or 100x100.



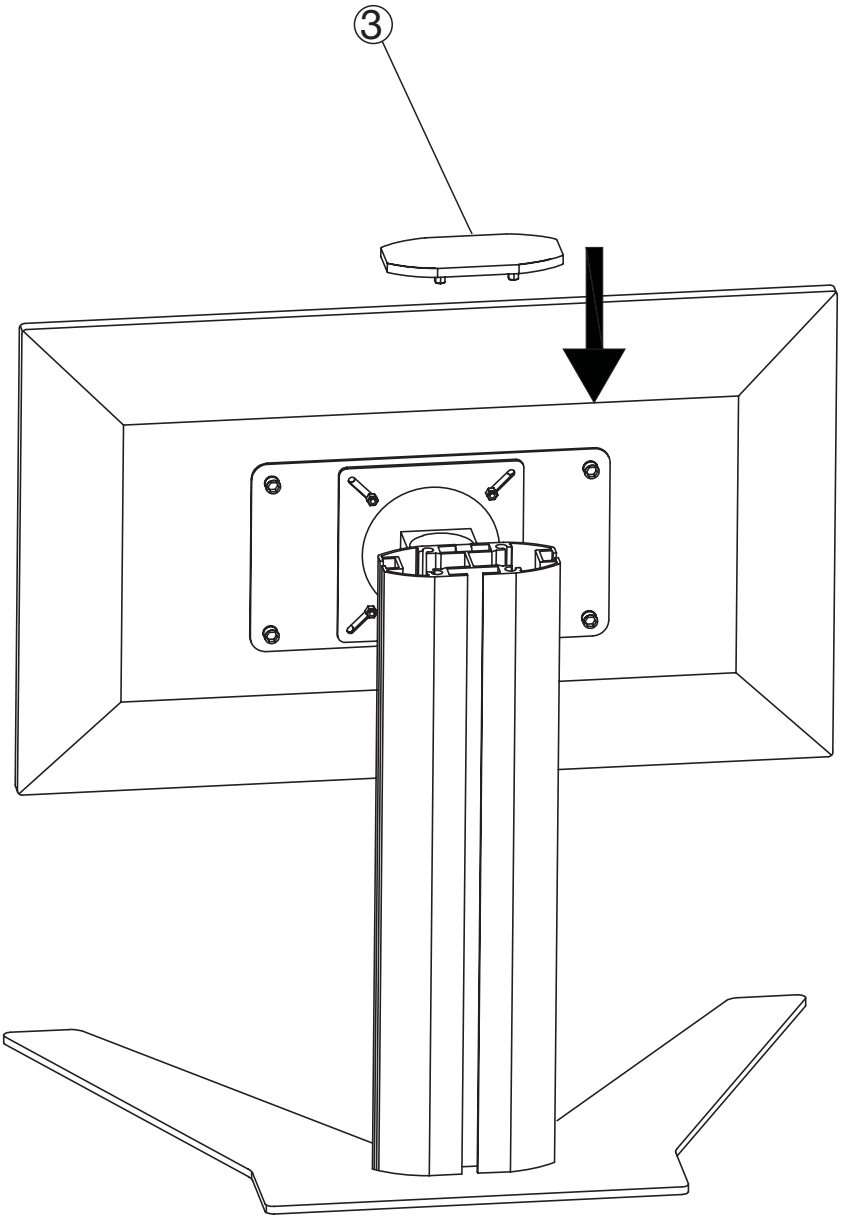
4B



4C



5



6

