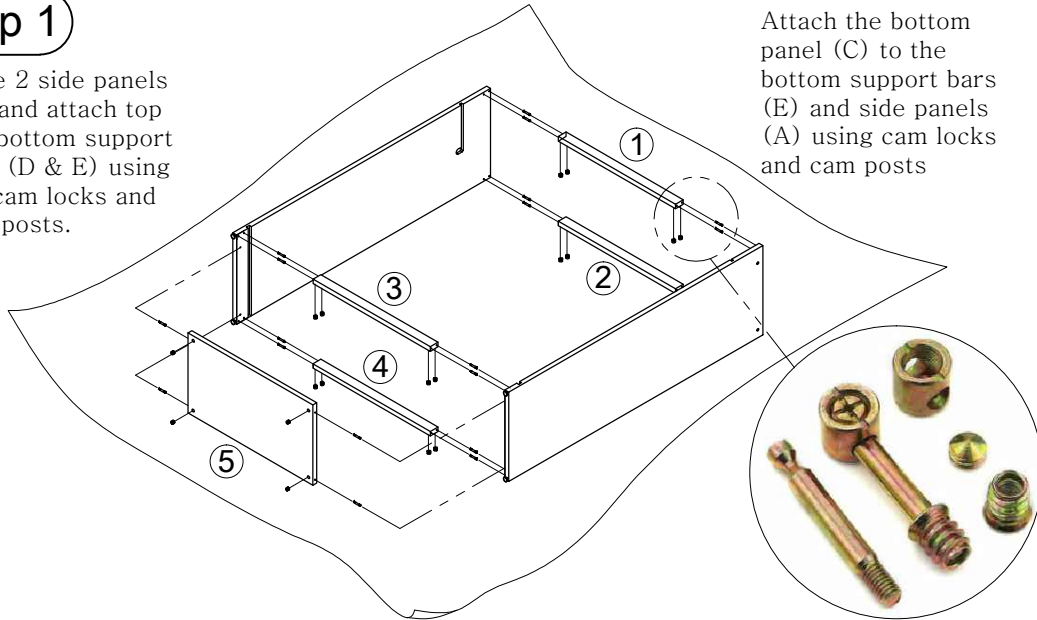


Instructions for Assembling TBLRCK Series

Step 1

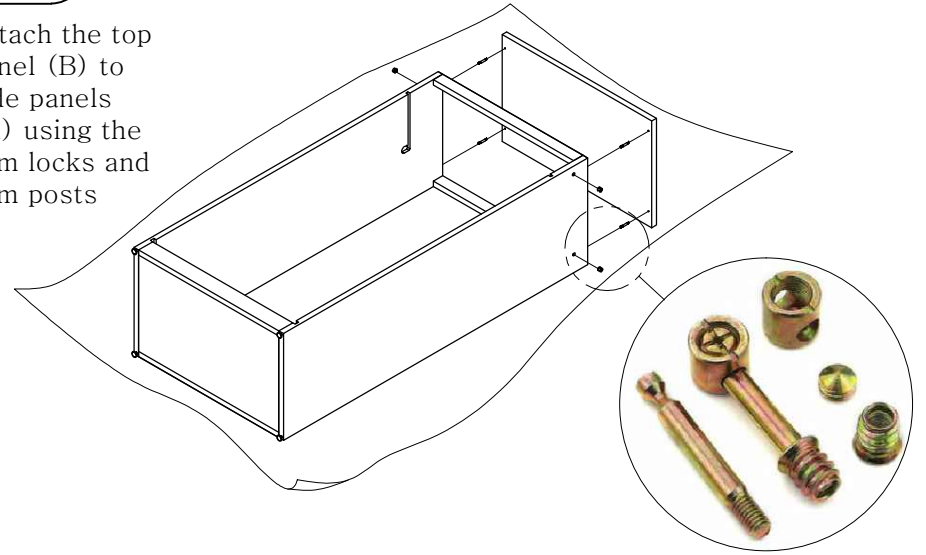
Take 2 side panels (A) and attach top and bottom support bars (D & E) using the cam locks and cam posts.



Attach the bottom panel (C) to the bottom support bars (E) and side panels (A) using cam locks and cam posts

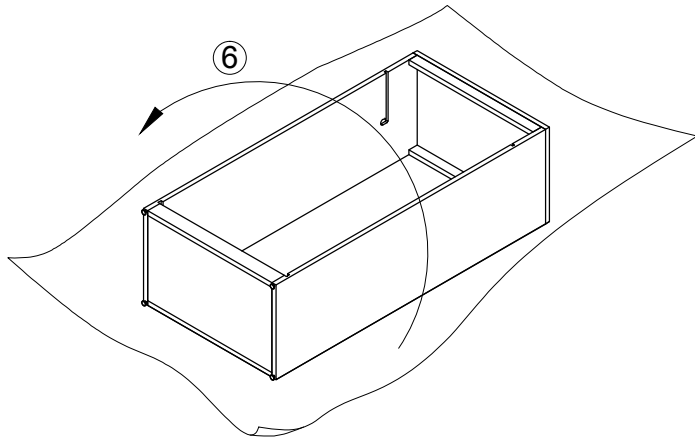
Step 2

Attach the top panel (B) to side panels (A) using the cam locks and cam posts



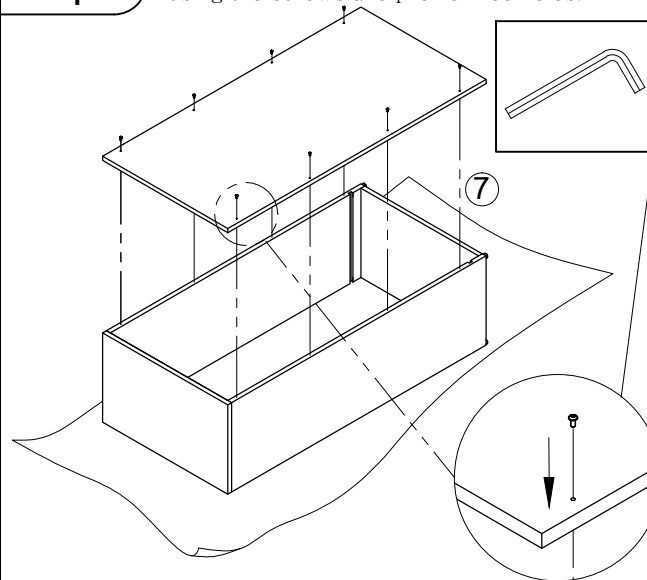
Step 3

Turn the unit over so it is laying face forward



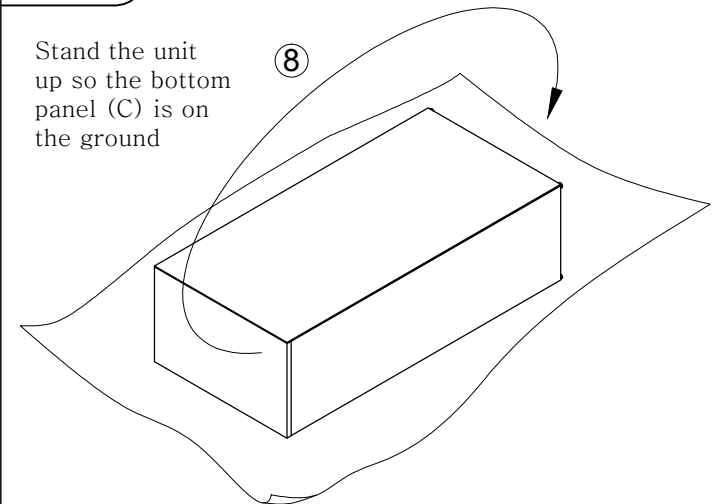
Step 4

Attach back panel (F) to the back of unit using the screws and pre-drilled holes.



Step 5

Stand the unit up so the bottom panel (C) is on the ground

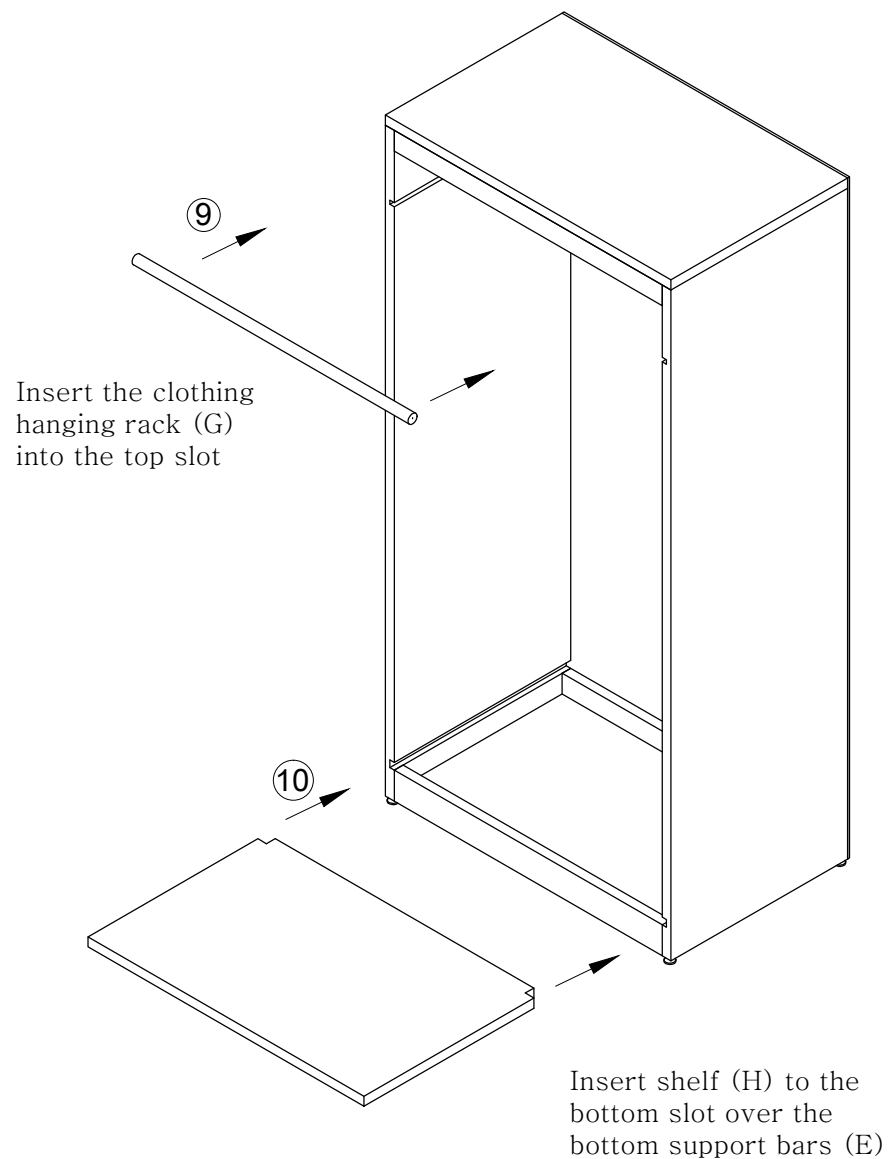


Instructions for Assembling TBLRCKGY32

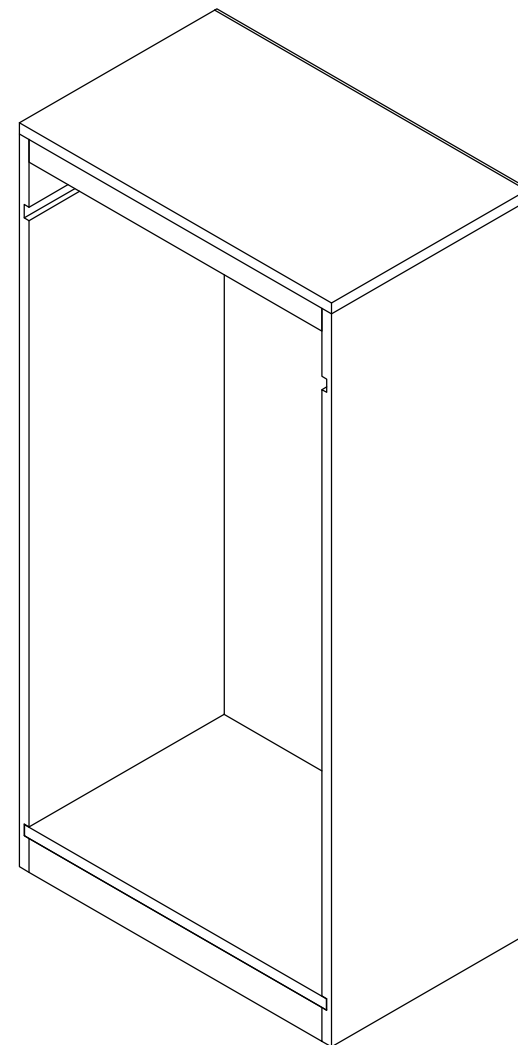
*(安裝人數 : 2人)

*(Assembling Person : 2P)

Step 6



Step 7



DONE