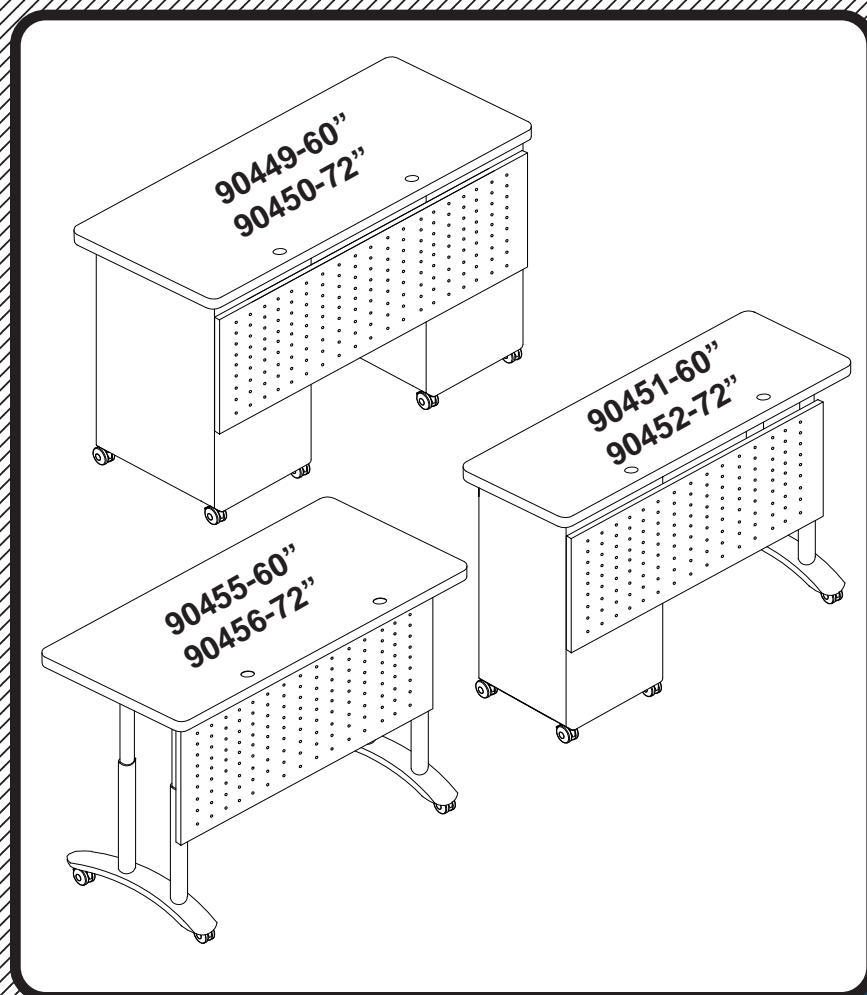

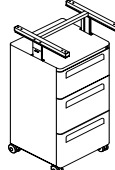

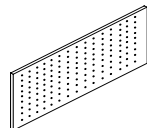
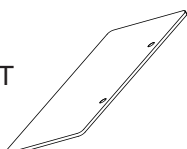


Modular Teacher's Desk Single Units

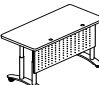
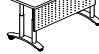


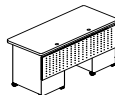
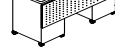


Assembly Instructions

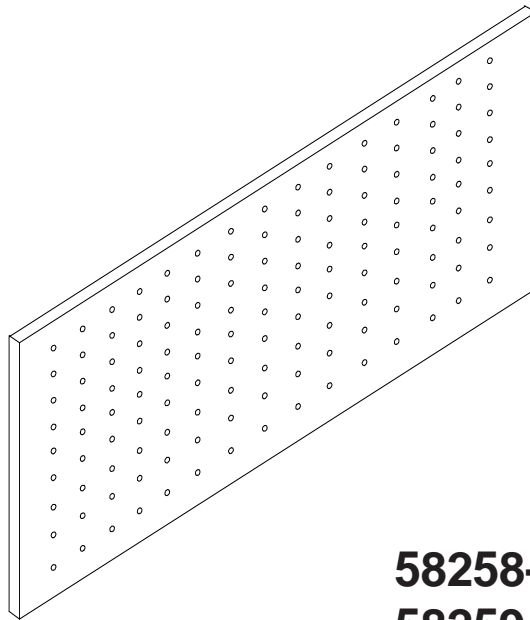
Modular Teacher's Desk Single Units

Part	Drawing	Description	Qty
90390		Adjustable Leg-1S	Chart
90369		Modular Pedestal	Chart
CHART		Top Support Tube	1 EA
CHART		Modesty Panel	1 EA
CHART		Top Panel	1EA

CHART

MODEL	SIZE	Top Panel	Modesty Panel	Top Support Tube	Adjustable Leg Qty.	Modular Pedestal Qty.
 90455	24X60	MODDK60	58258	58353	2	—
 90456	24X72	MODDK72	58259	58261	2	—
 90451	24X60	MODDK60	58258	58353	1	1
 90452	24X72	MODDK72	58259	58353	1	1
 90449	24X60	MODDK60	58258	—	—	2
 90450	24X72	MODDK72	58259	—	—	2

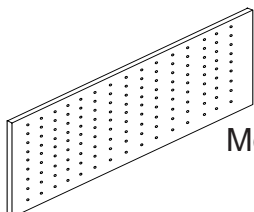


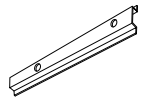
Modular Teacher's Desk Modesty Panels



58258-60"
58259-72"

Assembly Instructions

Modular Teacher's Desk Modesty Panel

Part	Drawing	Description	Qty	Part	Drawing	Description	Qty
P-1		Modesty Panel	1 EA	Hardware List A  CS 1/4 X 9mm 6 EA This part is in the Leg / Pedestal Packages B  Allen Wrench 1 EA This part is in the Leg / Pedestal Packages			
P-2		V Bracket - Inner	2 EA				
This part is in the Leg / Pedestal Packages							

Modular Teacher's Desk Modesty Panel Assembly Instruction

READ THROUGH INSTRUCTIONS FROM BEGINNING TO END BEFORE STARTING TO ASSEMBLE UNIT.

- 1.) Identify and Separate all the Parts and Hardware.
- 2.) Place a V Bracket - Inner (P2) on the back of the left side of the Modesty Panel (P1) over the tapped holes at your chosen height setting. Attach the V Bracket using two CS Screws (A). Repeat this Step to install the right side V Bracket as shown in illustration #1. Tighten screws with Allen Wrench (B).

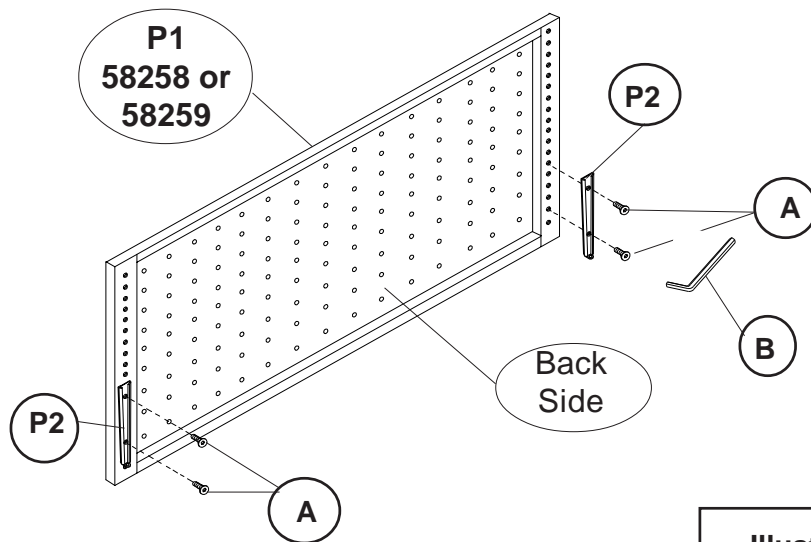
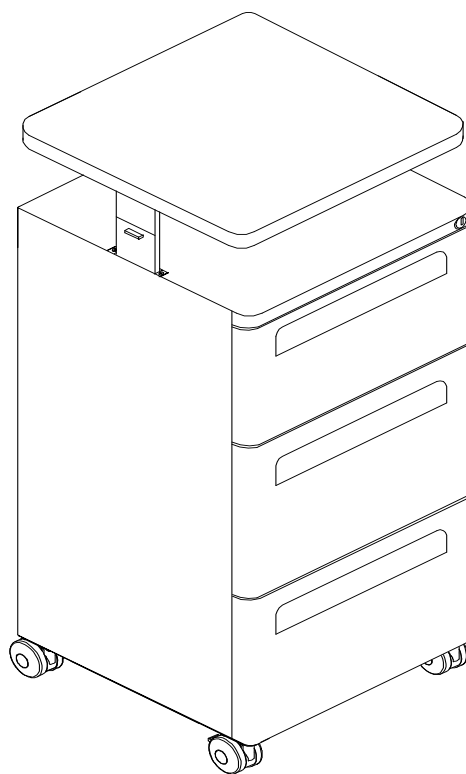


Illustration # 1

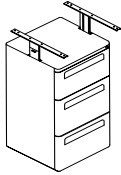
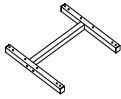
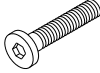
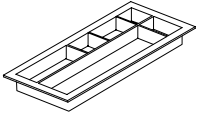

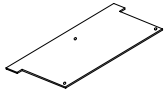
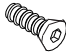


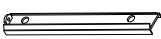

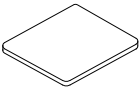


Modular Pedestal



90369

Assembly Instructions

Modular Pedestal

Part	Drawing	Description	Qty	Part	Drawing	Description	Qty
P-1		Pedestal Box	1 EA	Hardware List			
P-3		H Support Tube	1 EA	A		Screw M6*42mm	8 EA
P-4		Tray	1 EA	A2		Screw M5*25mm -Caster	4 EA
P-5		Drawer Divider	1 EA	B		CS 1/4X9mm -V Bracket	5 EA
P-6		V Bracket- Inner	1 EA	C 1		Locking Caster	2 EA
P-7		V Bracket - Outer	1 EA	C 2		Caster	2 EA
P-8		Top (Optional Use)	1 EA	D		Allen Wrench	1 EA
				E		Lock Keys	2 EA

90369 Modular Pedestal Assembly Instruction

**READ THROUGH INSTRUCTIONS FROM BEGINNING TO
END BEFORE STARTING TO ASSEMBLE UNIT.**

- 1.) Identify and Separate all the Parts and Hardware.
- 2.) Attach two Locking Casters (C1) to the front holes on the bottom of Base (P1) by inserting the side tab on the Caster's base into the slot and using one Screw (A2) to secure each. Repeat this step to attach the two Non-Locking Casters (C2) in the bottom rear slots and holes as shown in illustration #1. Tighten Screws with Phillips screw driver.

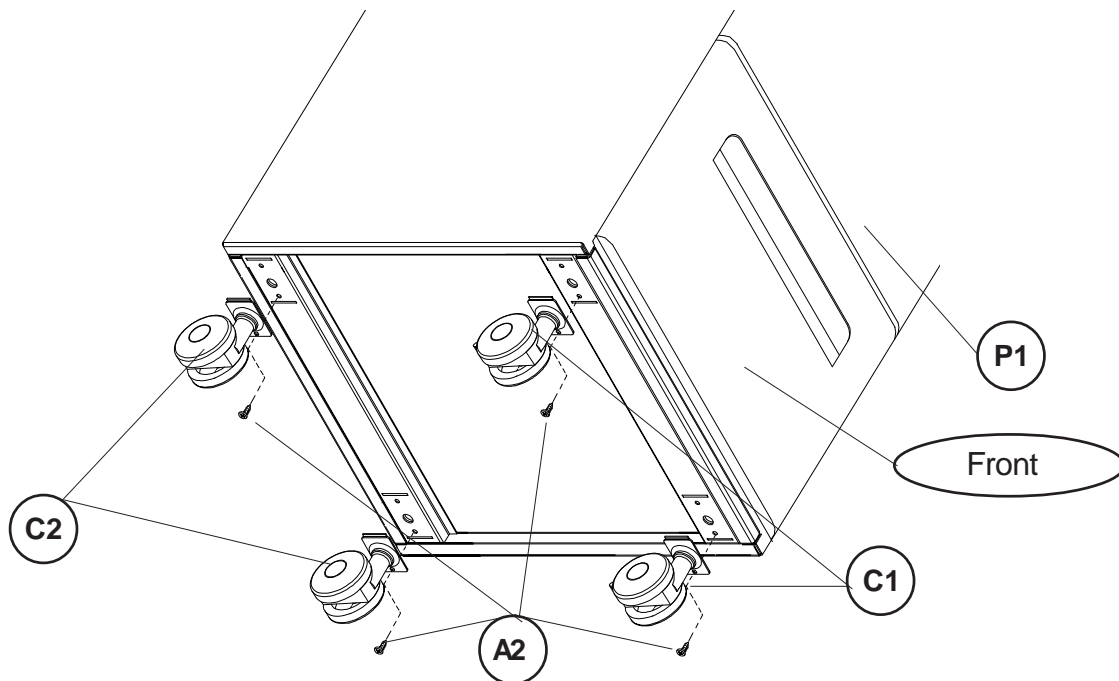


Illustration # 1

2.) Place Tray (P4) and Drawer Divider (P5) into the top or middle drawers of Pedestal Box (P1).

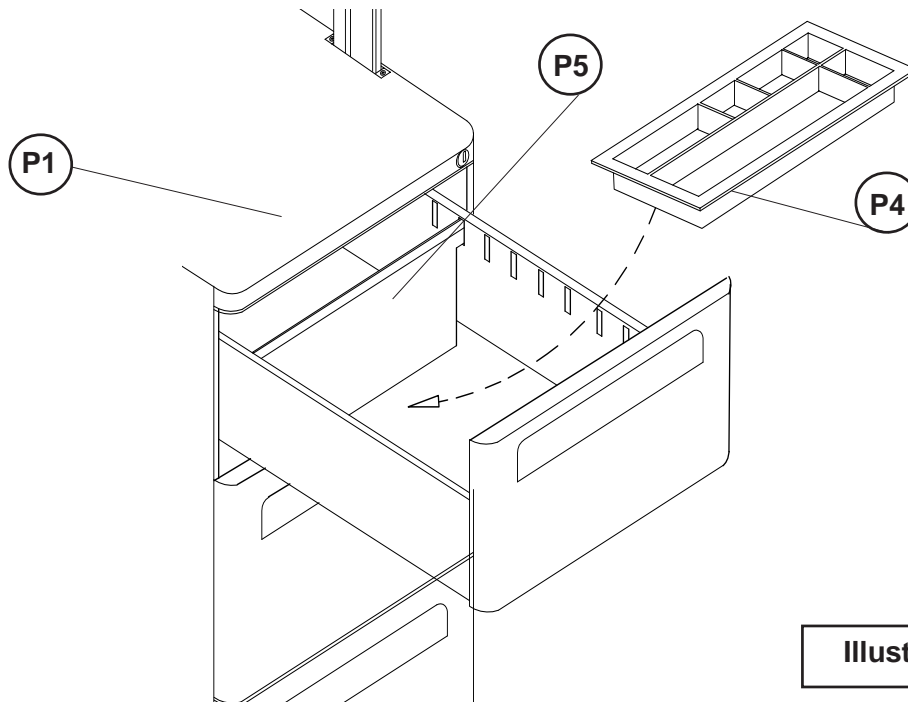


Illustration # 2

NOTE: If your Pedestal will be connected under a Desk top, stop at this point and go to Step 4.

Continue to Step #3 to finish the 90369 File Cabinet as a free standing unit.

3.) Place the H Support Tube (P3) and the Top (P8) on top of the Pedestal Support Bar and secure in place using 8 Screws (A) as shown in illustration #3.

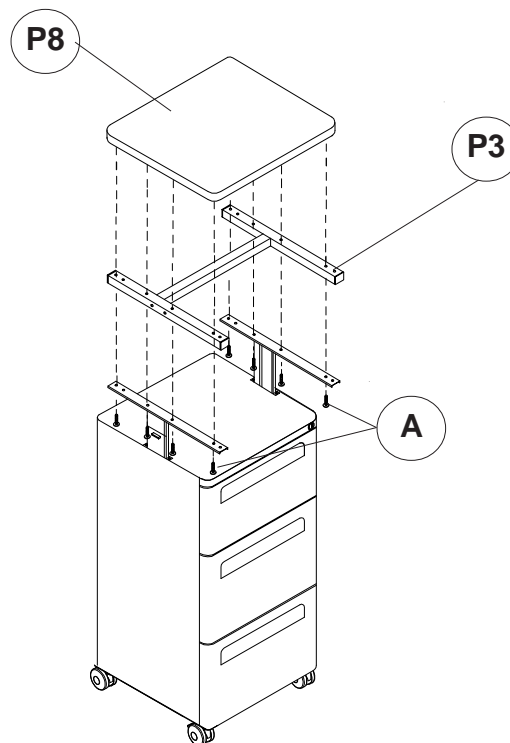


Illustration # 3

4.) If your Pedestal is going to be attached to a desk, attach a V Bracket-Outer(P7) to the back of the Pedestal (P1) using two CS Screws (B) on either the right or left side as shown in illustration #4.

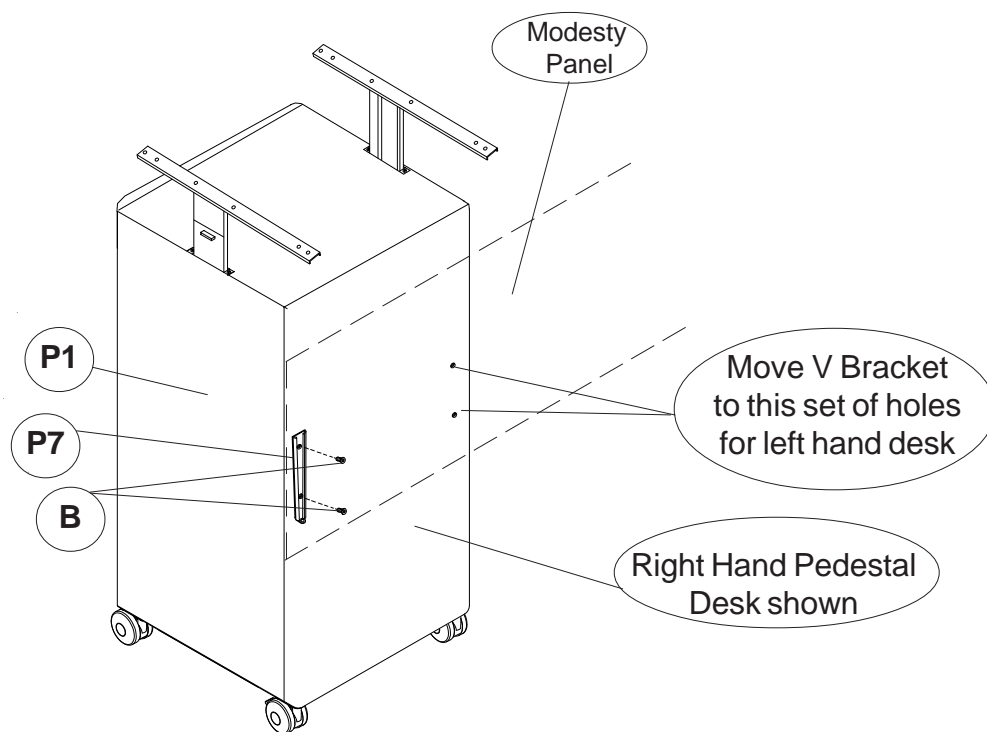
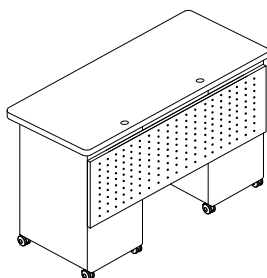
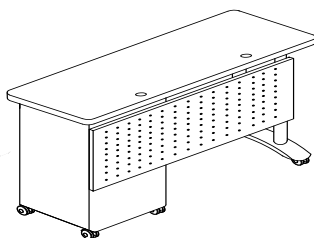


Illustration # 4

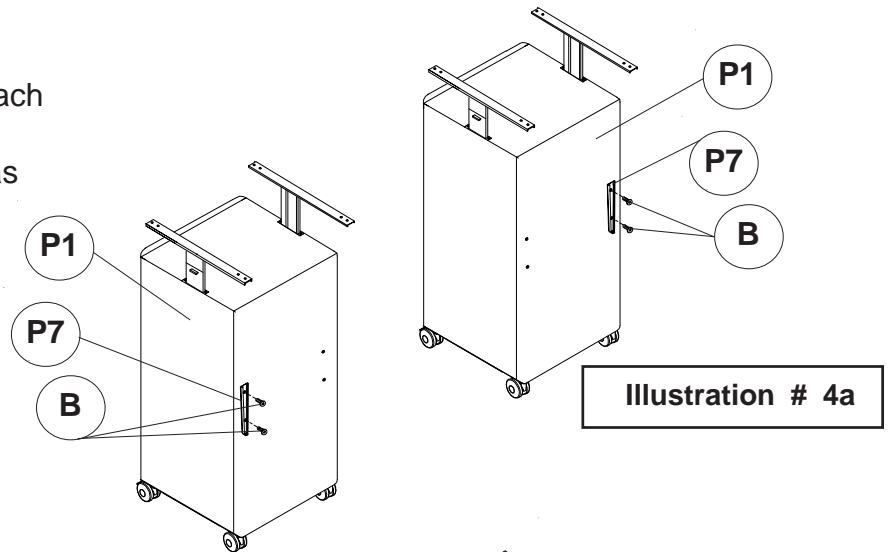
Proceed to page 10 and follow Step 5 if you are building a desk that looks like this....



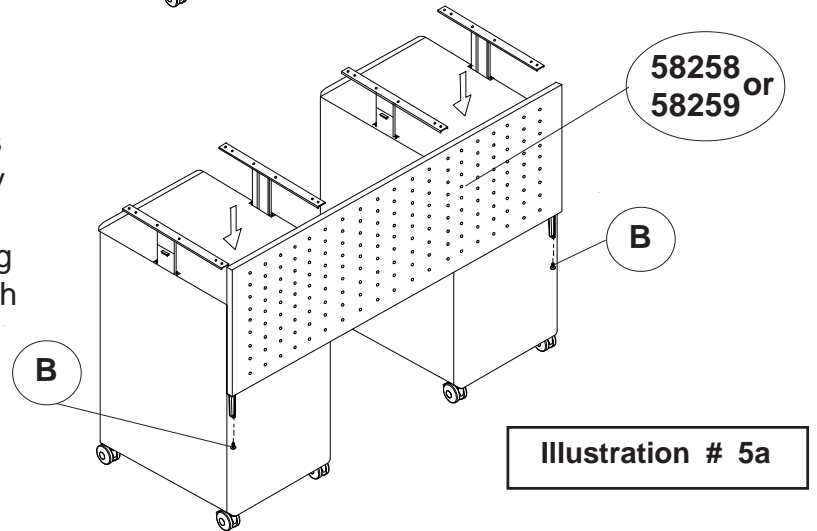
Skip to page 12 and follow Step 1 if you are building a desk that looks like this....



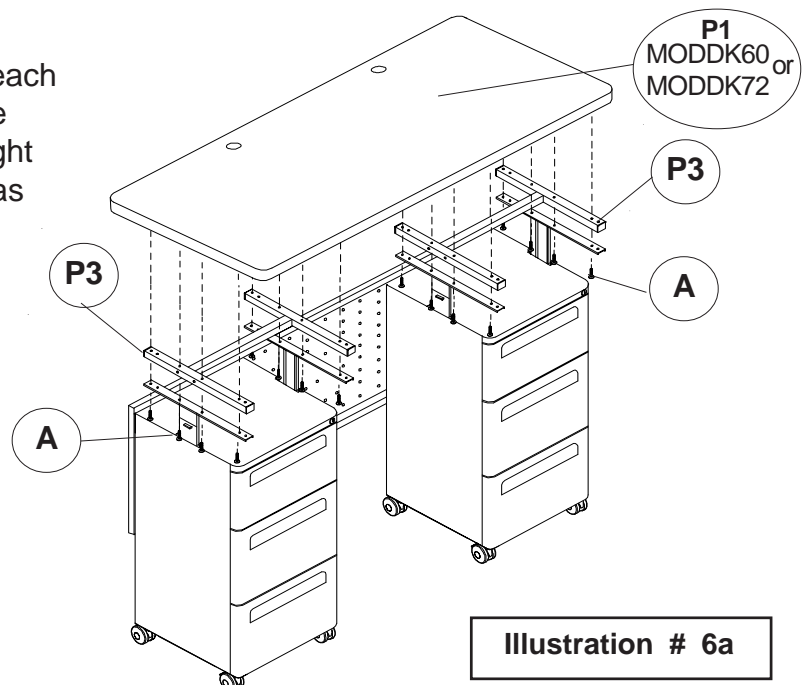
5.) For a Double Pedestal Desk, attach two Outer V Brackets (P7) to the back of the Pedestal Boxes (P1) as shown in illustration #4a using four Screws (B).



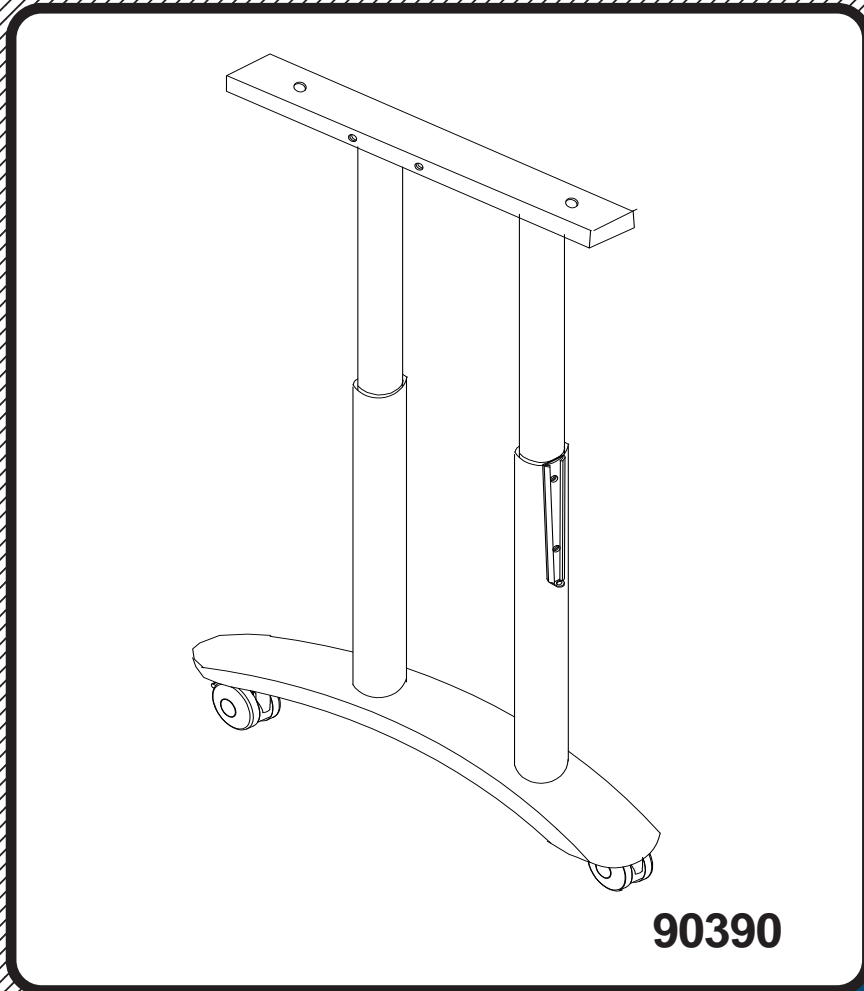
6.) Align the Outer and Inner V Brackets on the Pedestal Boxes and the Modesty Panel as they slide into each other. Secure the Modesty Panel in place using one Screw (B) through the bottom of each V Bracket assembly as shown in illustration #5a.



7.) Place a H Support Tube (P3) on top of each Pedestal Box's top support. Align all the holes as you attach the Top (P1) using eight Screws (A) for each Pedestal assembly as shown in illustration #6a.

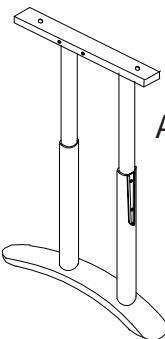
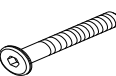

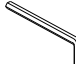




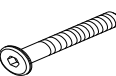

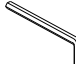




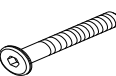

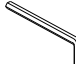




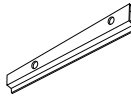


Modular Teacher's Desk Adjustable Leg-1S



Assembly Instructions

Modular Teacher's Desk Leg-1S

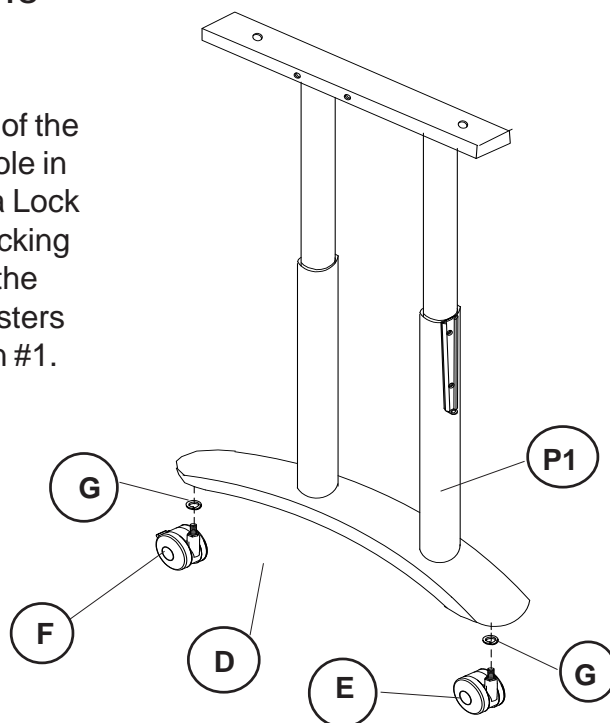
Part	Drawing	Description	Qty	Part	Drawing	Description	Qty																												
P-1		Adjustable Leg-1S	1 EA	<div style="border: 2px solid black; border-radius: 15px; padding: 10px;"> <p style="text-align: center; margin: 0;">Hardware List</p> <table style="width: 100%; border-collapse: collapse;"> <tr> <td style="width: 5%;">A</td> <td style="width: 15%;"></td> <td style="width: 60%;">Screw M6*42 mm</td> <td style="width: 20%;">2 EA</td> </tr> <tr> <td>B</td> <td></td> <td>CS Screw 1/4 X 9mm</td> <td>3 EA</td> </tr> <tr> <td>C</td> <td></td> <td>Allen Wrench</td> <td>1 EA</td> </tr> <tr> <td>D</td> <td></td> <td>Caster Wrench</td> <td>1 EA</td> </tr> <tr> <td>E</td> <td></td> <td>Non-Locking Caster</td> <td>1 EA</td> </tr> <tr> <td>F</td> <td></td> <td>Locking Caster</td> <td>1 EA</td> </tr> <tr> <td>G</td> <td></td> <td>Lock Washer</td> <td>2 EA</td> </tr> </table> </div>				A		Screw M6*42 mm	2 EA	B		CS Screw 1/4 X 9mm	3 EA	C		Allen Wrench	1 EA	D		Caster Wrench	1 EA	E		Non-Locking Caster	1 EA	F		Locking Caster	1 EA	G		Lock Washer	2 EA
A		Screw M6*42 mm	2 EA																																
B		CS Screw 1/4 X 9mm	3 EA																																
C		Allen Wrench	1 EA																																
D		Caster Wrench	1 EA																																
E		Non-Locking Caster	1 EA																																
F		Locking Caster	1 EA																																
G		Lock Washer	2 EA																																
P-2		V Bracket - Inner	1 EA																																

Modular Teacher's Desk Leg Assembly Instruction

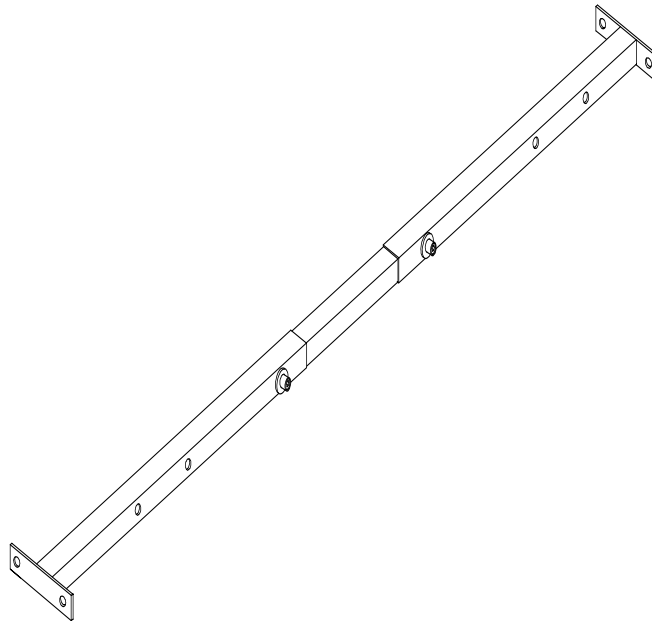
READ THROUGH INSTRUCTIONS FROM BEGINNING TO END BEFORE STARTING TO ASSEMBLE UNIT.

- 1.) Identify and Separate all the Parts and Hardware.
- 2.) Place a Lock Washer (G) on the threaded stem of the Locking Caster (F) and screw it into the front hole in the bottom of the Adjustable Leg (P1). Place a Lock Washer (G) on the threaded stem of the Non-locking Caster (E) and screw it into the back hole in the bottom of the Adjustable Leg (P1). Tighten Casters with Caster Wrench (D) as shown in illustration #1.

Illustration # 1



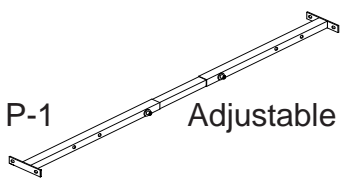




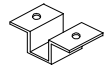
Modular Teacher's Desk Adjustable Support Bars



58353-Short
58261-Long

Assembly Instructions

Modular Teacher's Desk Adjustable Support Bar

Part	Drawing	Description	Qty	Part	Drawing	Description	Qty
P-1		Adjustable Support Bar	1 EA	<div style="border: 2px solid black; padding: 5px;"> <p style="text-align: center;">Hardware List</p> <p>A  Screw 1/4 X 15 MM 4 EA</p> <p>B  Allen Wrench 1 EA</p> <p>C  Set Screw 2 EA</p> <p>D  Wood Screw 4 EA</p> </div>			
P-2		U Clamp	2 EA				

Modular Teacher's Desk Adjustable Support Bar Assembly Instruction

READ THROUGH INSTRUCTIONS FROM BEGINNING TO END BEFORE STARTING TO ASSEMBLE UNIT.

- 1.) Identify and Separate all the Parts and Hardware.
- 2.) The Modesty Panel should be installed first to help hold the legs upright and at the right distance apart.
- 3.) Install two Set Screws (C) into the Adjustable Support Bar (P1) T-nut inserts. Place the Adjustable Support Bar in between either two Adjustable Legs (illustration #1a) or an Adjustable Leg and a Pedestal Box with H Support Tube (P3) (illustration #1b) and attach with four Screws (A). Leave the Set Screws loose until the Teacher's Desk Top is attached then tighten set screws with Allen Wrench (B).

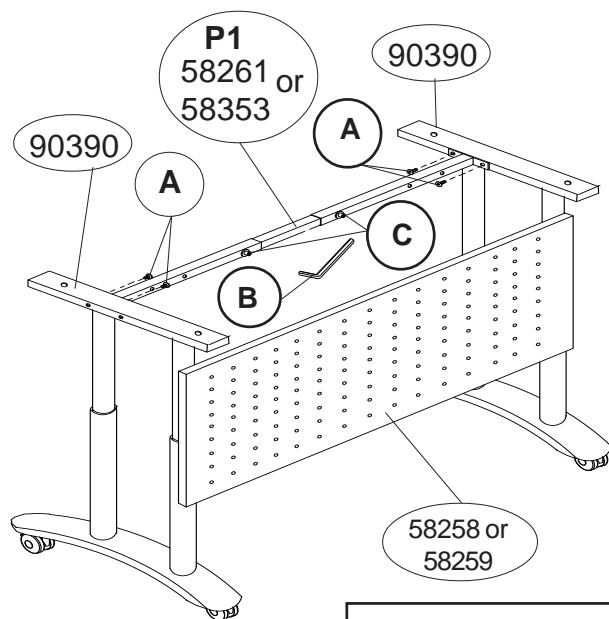


Illustration # 1a

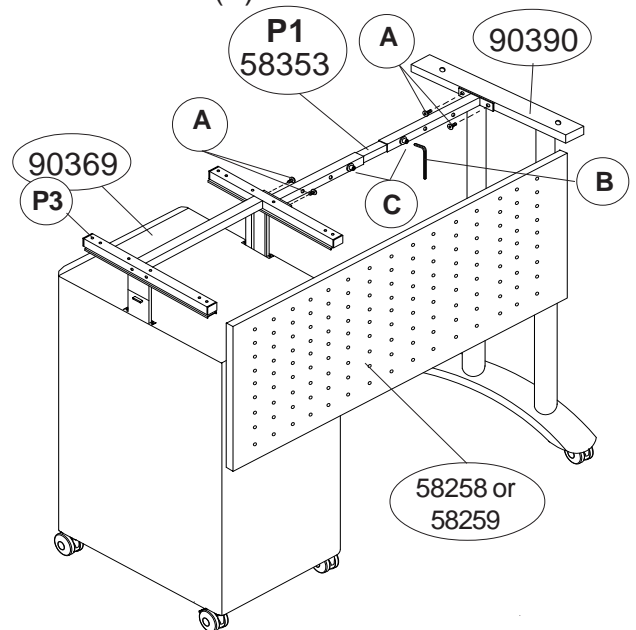
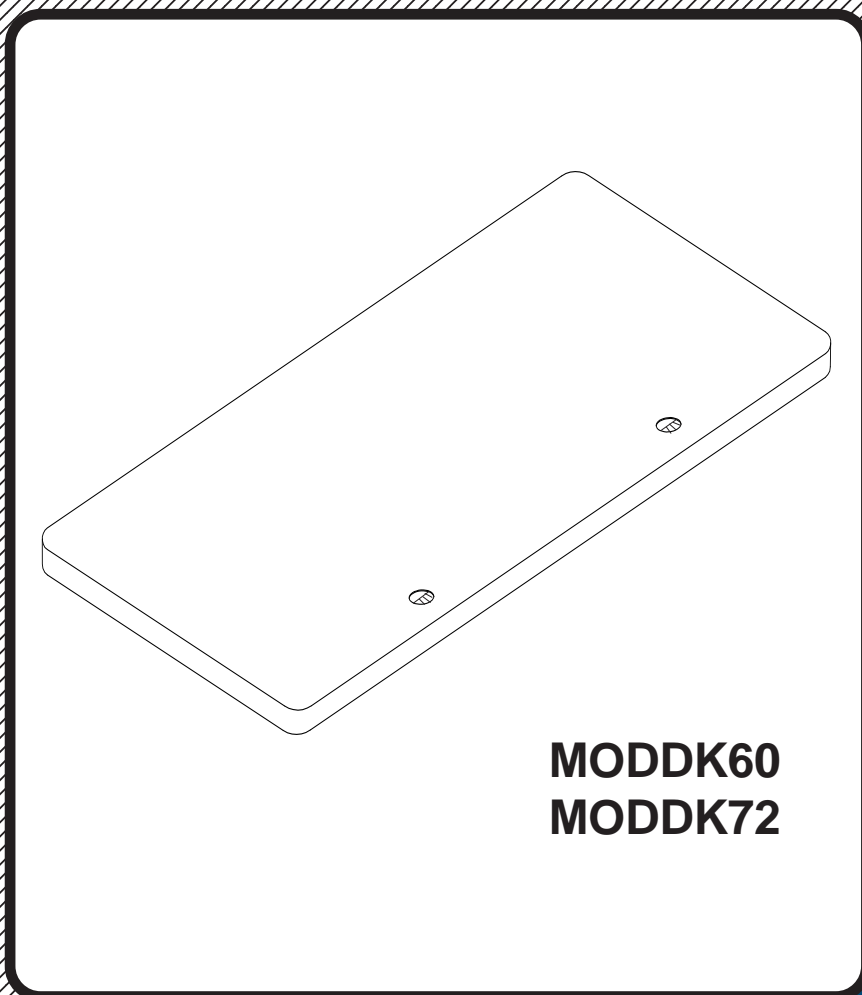


Illustration # 1b

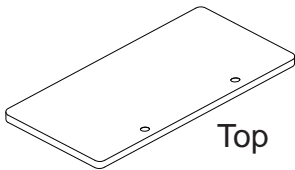

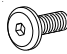

Modular Teacher's Desk Top



MODDK60
MODDK72

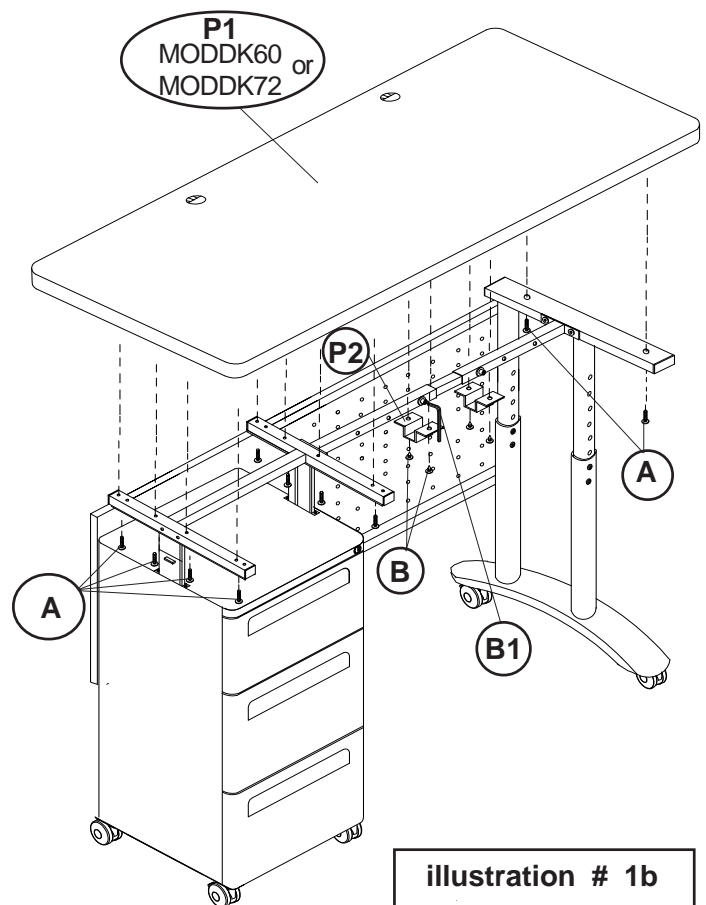
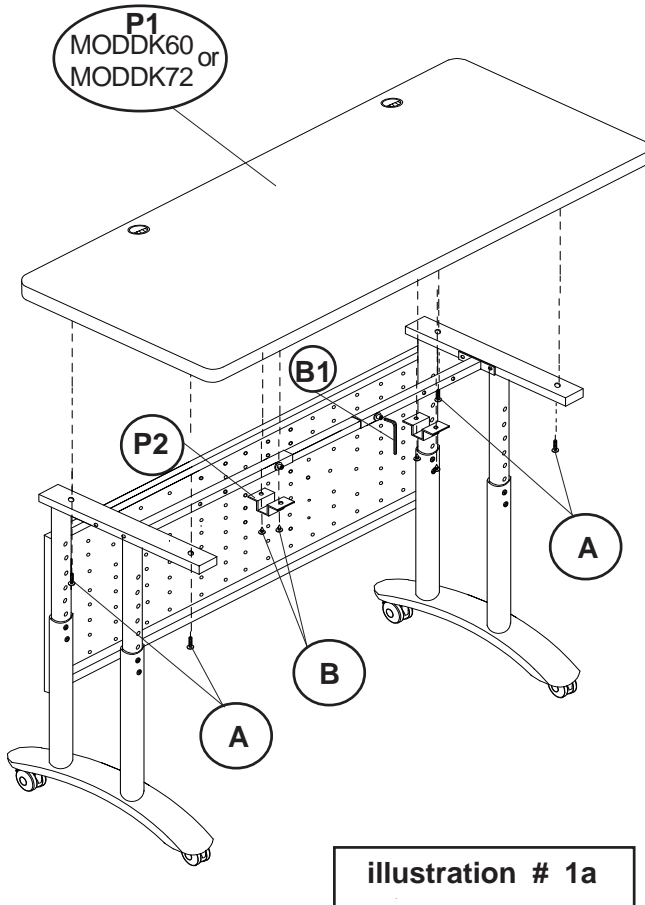
Assembly Instructions

Modular Teacher's Desk Top

Part	Drawing	Description	Qty	Part	Drawing	Description	Qty
P-1		Top	1 EA	Hardware List			
P-2		Ganger	2 EA	A		Screw M6*18 mm	4 EA
				B1		Allen Wrench	1 EA

- 1.) Use four Screws (A) that were left over from the two Leg packages to attach the Top (P1) to the frame assembly as shown in illustration #1a.
- 2.) Use two U Clamps (P2) and the four Wood Screws (B) that were left over from the Desk Support Bar package to secure the Support Bar to the bottom of the Top.
- 3.) Use Allen Wrench (B1) to tighten all screws.

- 1.) Use ten Screws (A) that were left over from the Pedestal and Leg packages to attach the Top (P1) to the frame assembly as shown in illustration #1b.
- 2.) Use two U Clamps (P2) and the four Wood Screws (B) that were left over from the Desk Support Bar package to secure the Support Bar to the bottom of the Top.
- 3.) Use Allen Wrench (B1) to tighten all screws.



(Optional)

If you want to gang two tables together, line up the Table Top's embedded threaded inserts under the edges and connect using two Gangers (P-2) and four Screws (A) that are in the Desk Top package. See illustration #2. Tighten Screws with Allen Wrench (B1).

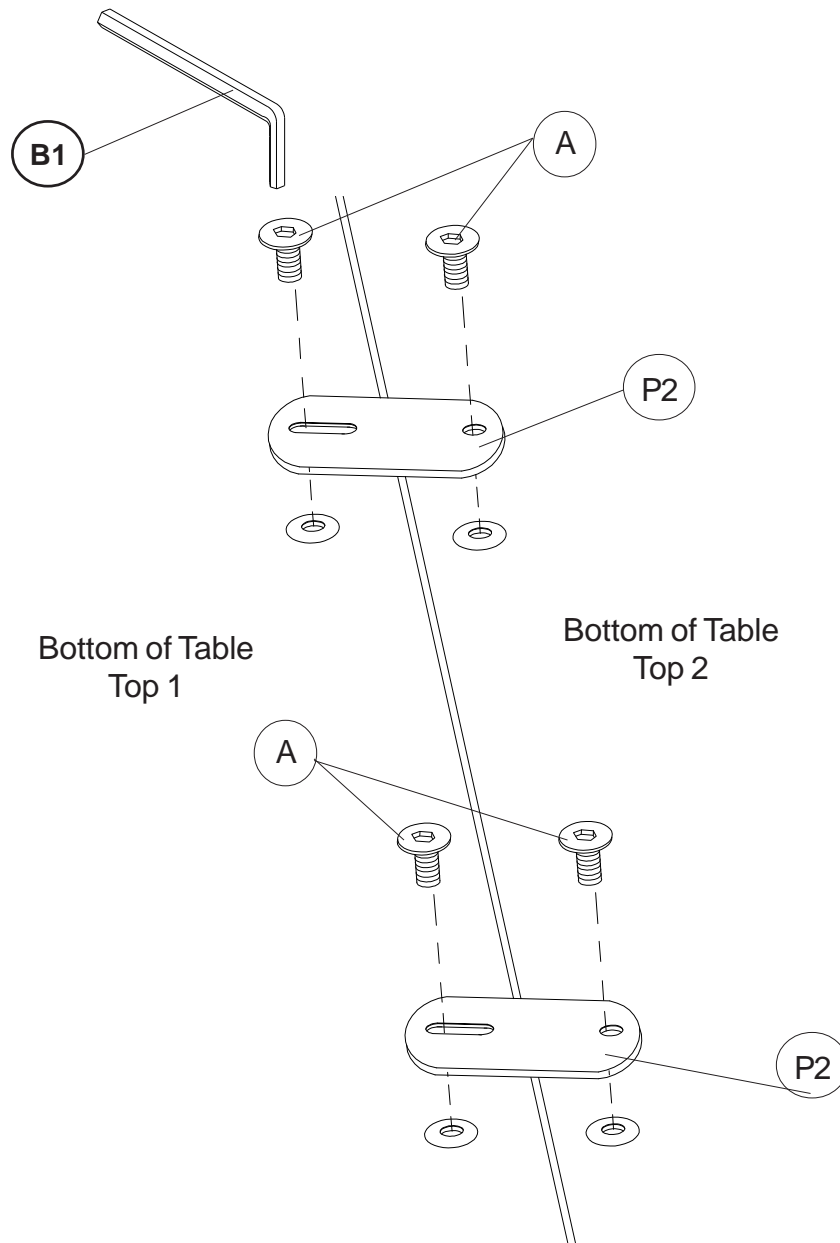


Illustration # 2