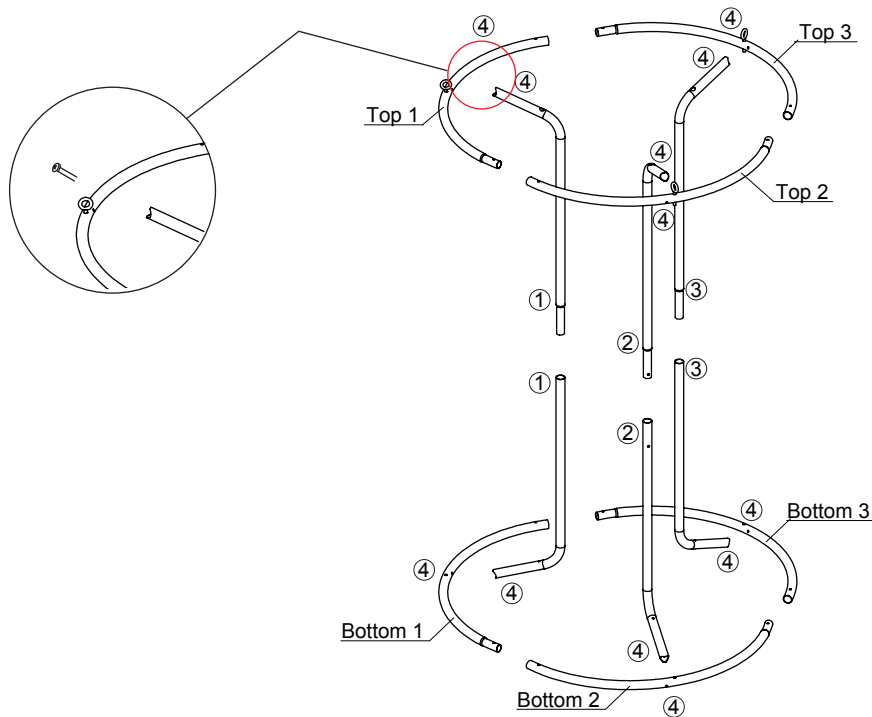
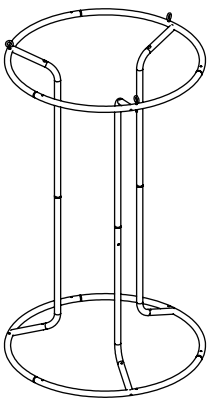


INSTALLATION INSTRUCTIONS

Portable 3FT Cylinder Hanging Light Box

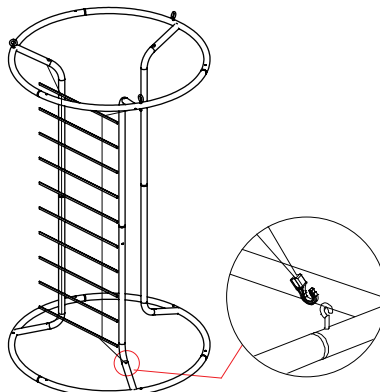


1



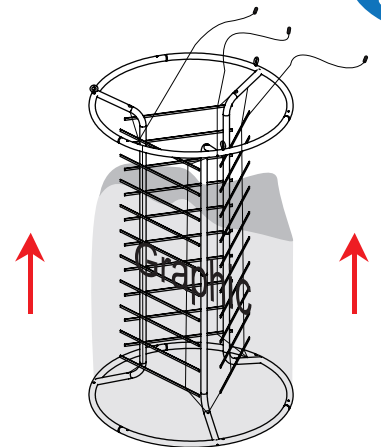
Connect tubes according to relevant number, assemble the whole frame.

2



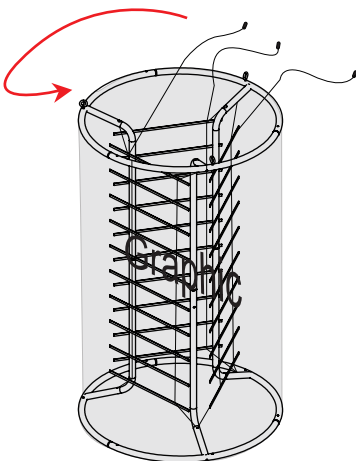
Hang the LED light onto the frame respectively.

3



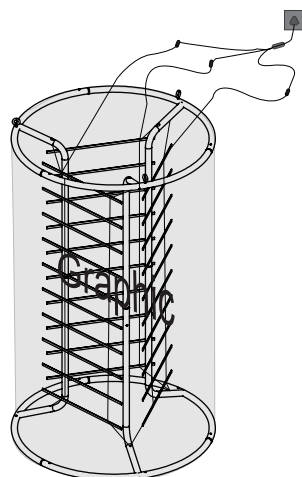
Pull the graphic up to the top carefully around the frame. (Light power cord should be out from graphic.)

4



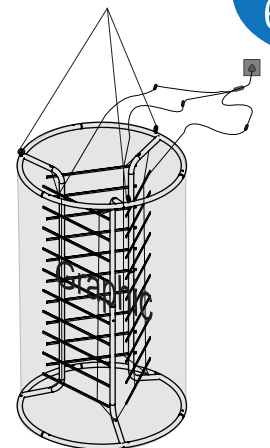
Close all zippers, adjust fabrics around the frame.

5



Connect the power cord to receptacle outlets at top.

6



Hang the light box securely on the ceiling.