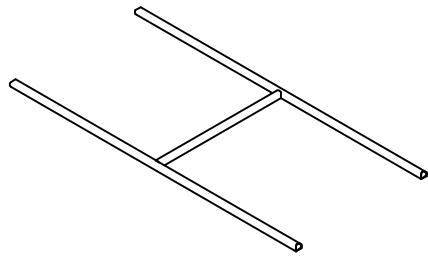
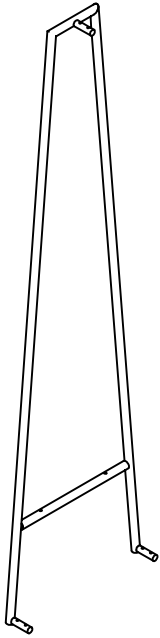
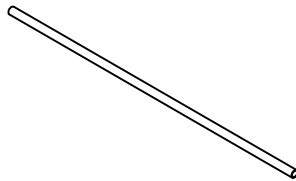


# TEPESHFBLK Instruction

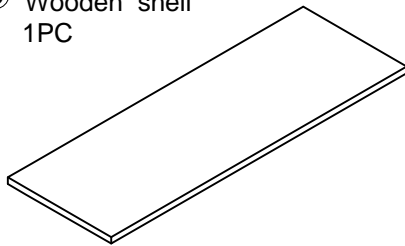
Ⓐ Side frame 2PCS Ⓑ Base 1PC



Ⓒ Hanging rod 1PC



Ⓓ Wooden shelf 1PC



Ⓔ Black button head screws 12PCS



Ⓕ Black button head screws 4PCS



Ⓖ Black leveler 4PCS



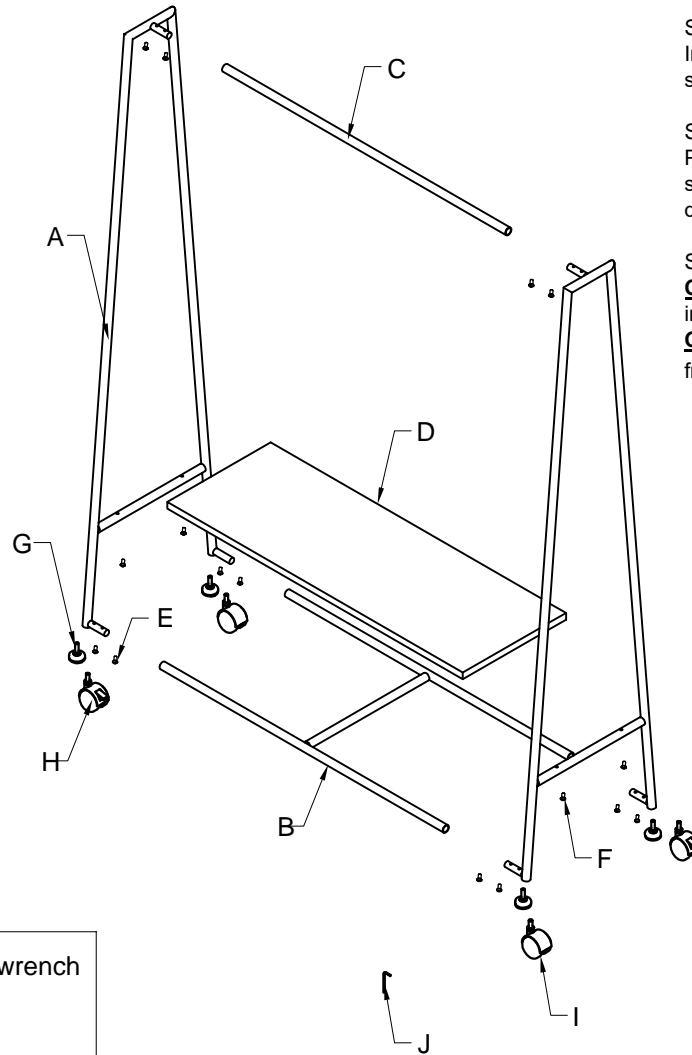
Ⓗ Locking casters 2PCS



Ⓖ Non-locking casters 2PCS



Ⓙ Allen wrench 1PC



Step 1:

Insert both side frames (a) into the base (b) and fasten using screws (e) and Allen wrench (j)

Step 2:

Insert hanging rod (c) into top of side frames (a) and fasten using screws (e) and Allen wrench (j)

Step 3:

Place shelf (d) onto side bars and line the pre-drilled holes on the shelf up with the holes on the side bars. Place screws (f) into pre-drilled holes and fasten using Allen wrench (j)

Step 4: Assemble casters (Option A) or levelers (Option B)

**Option A:** Screw 2 locking casters (h) and 2 non-locking casters (i) into holes on the bottom of side frames (a)

**Option B:** Screw levelers (g) into holes on the bottom of side frames (a)

