

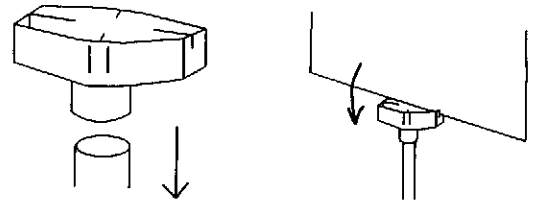
INSTRUCTION SHEET

4 Tier Plastic Tray Display with One Pc. Tray Guard And Round Base

CONTENTS:

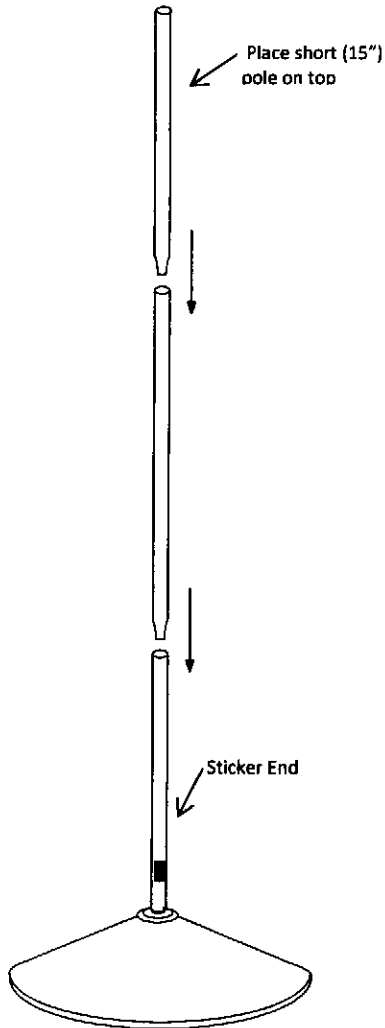
- ✓ Round Base (1)
- ✓ Three Piece Pole Set (1)
- ✓ Plastic Round Trays (4)
- ✓ Support Clamps (4)
- ✓ One Pcs. Tray guards (4)
- ✓ Sign Clip (1)

4



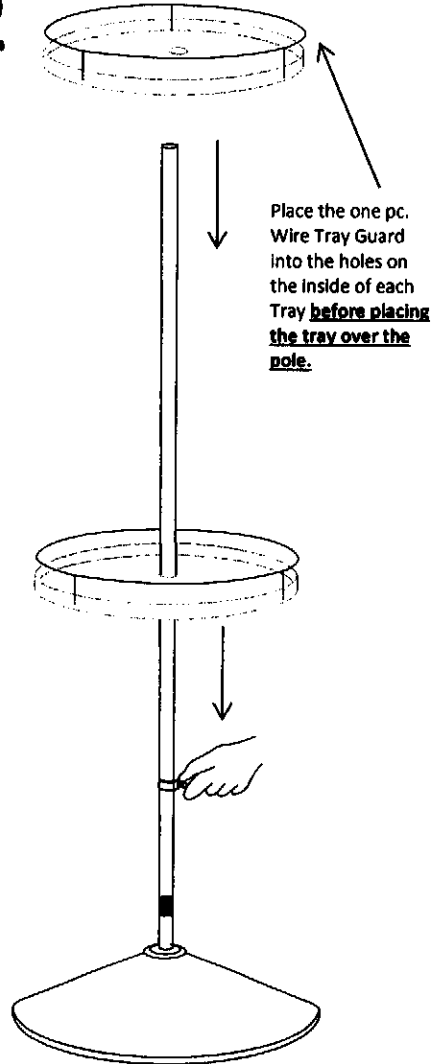
Top with sign clip and sign.

1



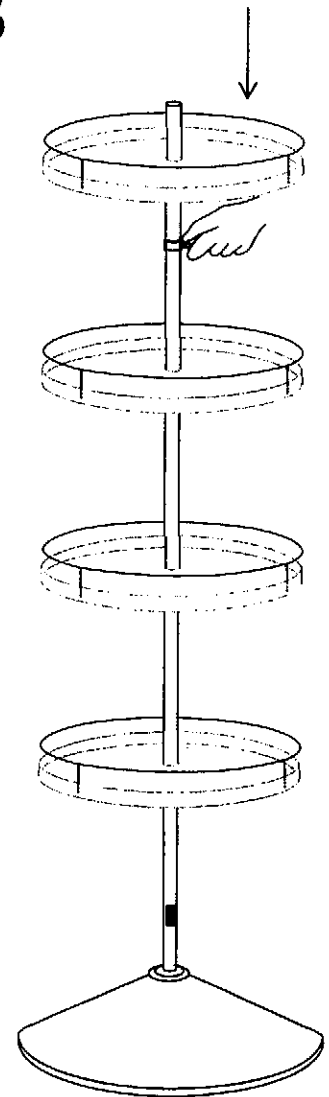
Insert pole into base, sticker end down.
Then add middle and top poles
as shown.

2



Place first Clamp in the lowest desired
position and tighten.
Next, slide the first tray **with the one pc.
Wire Tray Guard** over the pole until the
tray reaches the tighten clamp.

3



Repeat with all remaining trays.
Clamp- Tray with guard

4TR5EGUDRDB