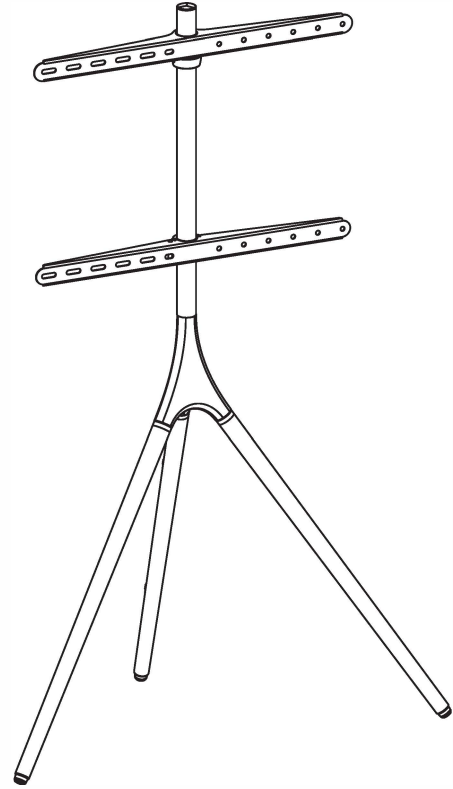


EN Read the entire instruction manual before you start installation and assembly. If you have any questions regarding any of the instructions or warnings, please contact your local distributor for assistance.

- CAUTION:** Use with products heavier than the rated weights indicated may result in instability causing possible injury.
- Please closely follow the assembly instructions. Improper installation may result in damage or serious personal injury.
 - Safety gear and proper tools must be used. This product should only be installed by professionals.
 - Make sure that the supporting surface will safely support the combined weight of the equipment and all attached hardware and components.
 - Use the mounting screws provided and DO NOT OVER TIGHTEN mounting screws.
 - This product contains small items that could be a choking hazard if swallowed. Keep these items away from children.
 - This product is intended for indoor use only. Using this product outdoors could lead to product failure and personal injury.
- IMPORTANT:** Ensure that you have received all parts according to the component checklist prior to installation. If any parts are missing or faulty, contact your place of purchase for a replacement.
- MAINTENANCE:** Check that the product is secure and safe to use at regular intervals (at least every three months).

Easel Studio TV Stand



Scan QR code to visit the product page:



Safety Disclaimer

This product includes an anti-tip kit that must be used in conjunction with the product and will prevent the product from falling or tipping over. Please follow the enclosed information to properly install these safety accessories. In no event shall the Seller be liable for any direct, indirect, punitive, incidental, special consequential damages, to property or life, whatsoever arising out of or connected with the use or misuse of this product.

ARTTV65B



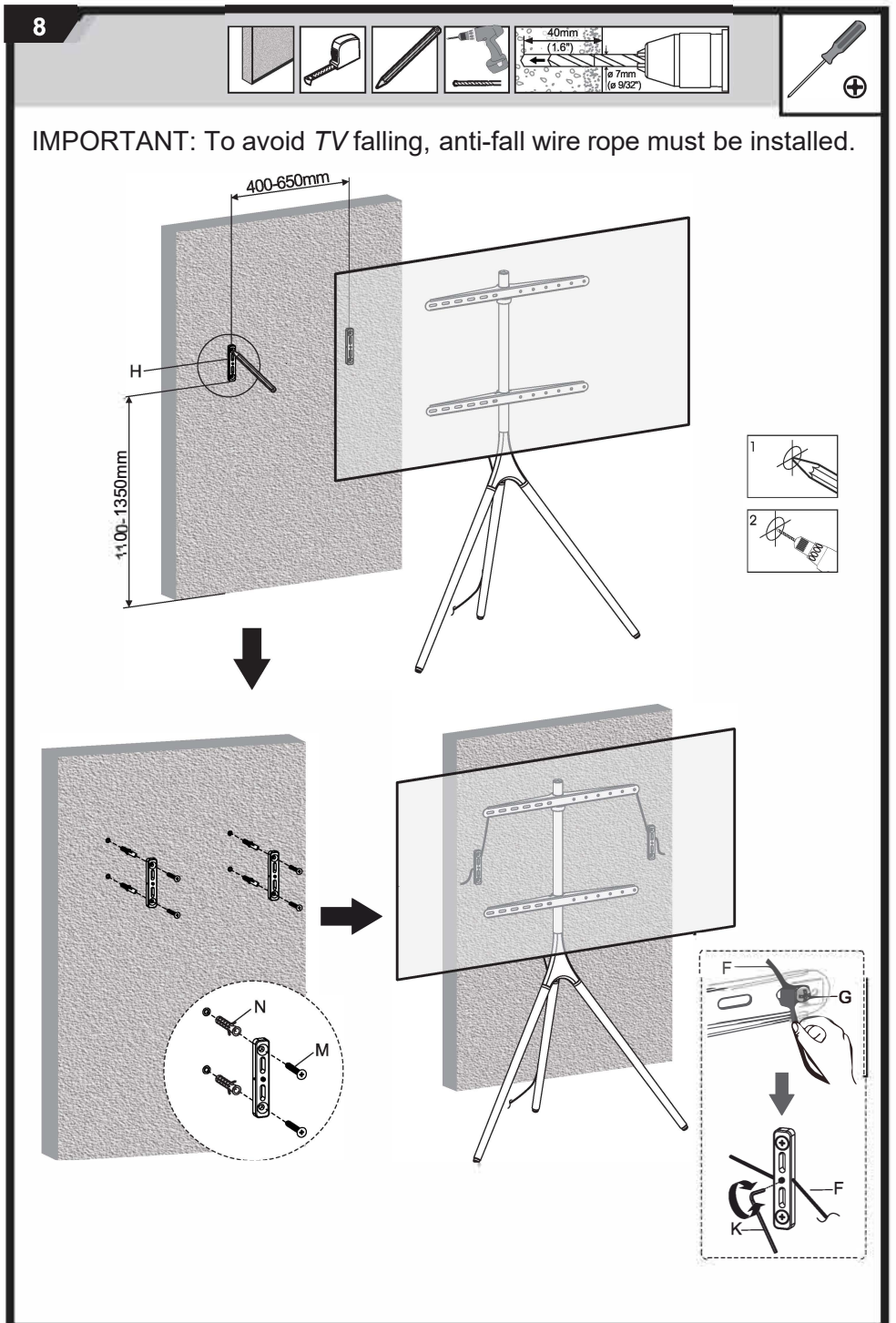
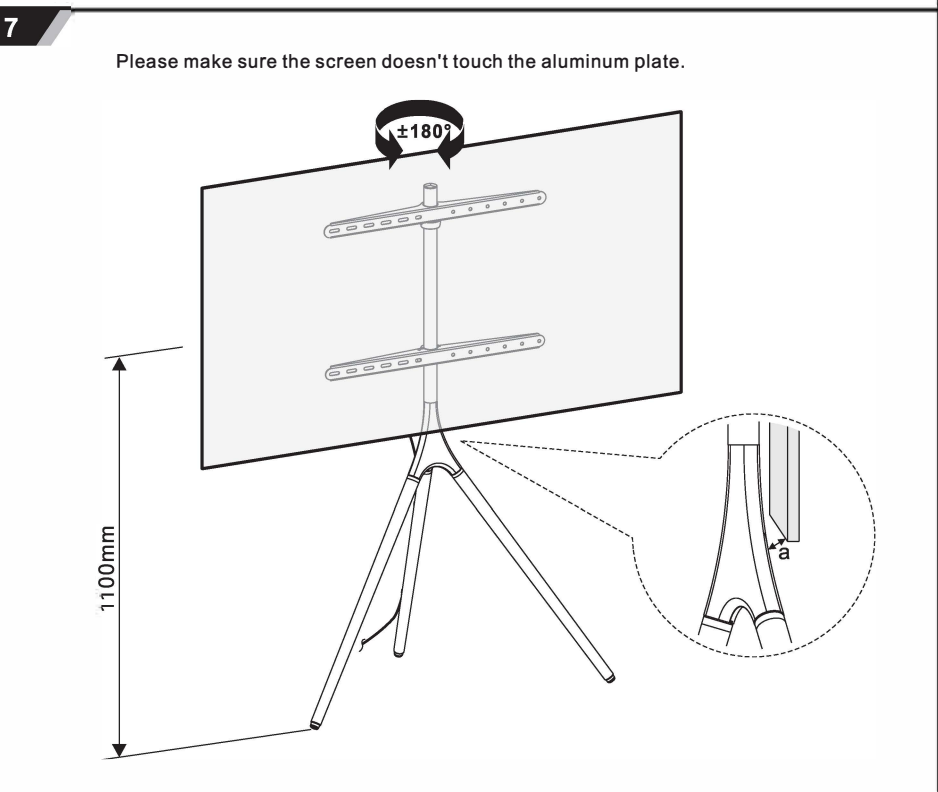
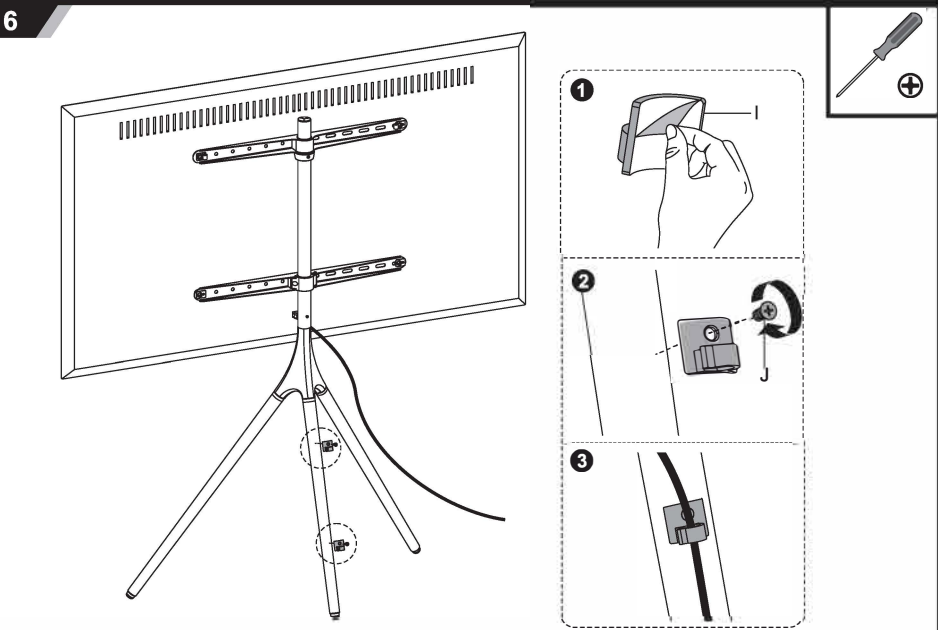
200x200/300x200
300x300/400x200
400x300/400x400
600x400

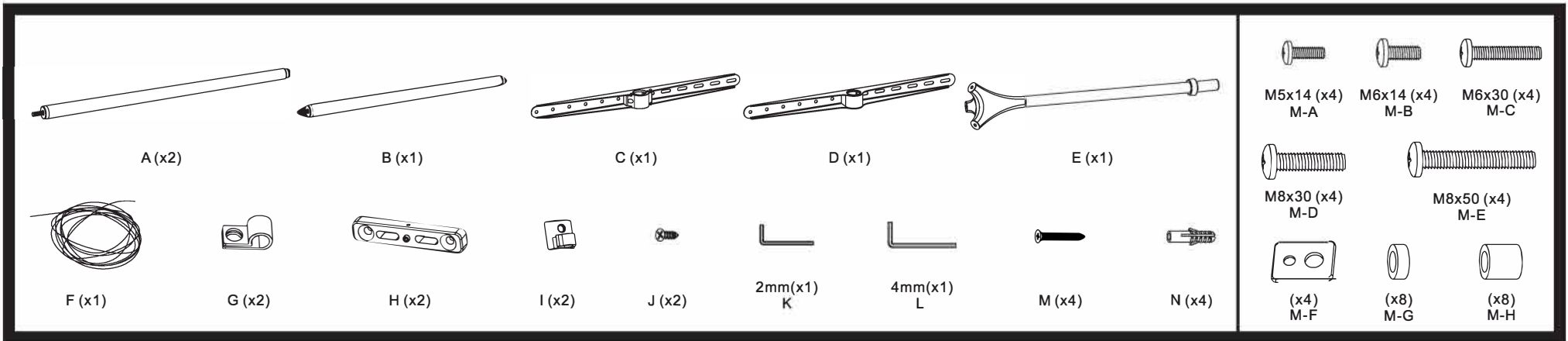


Normal Floor
32kg
(70.4lbs)
RATED

Glossy Floor
25kg
(55lbs)
RATED

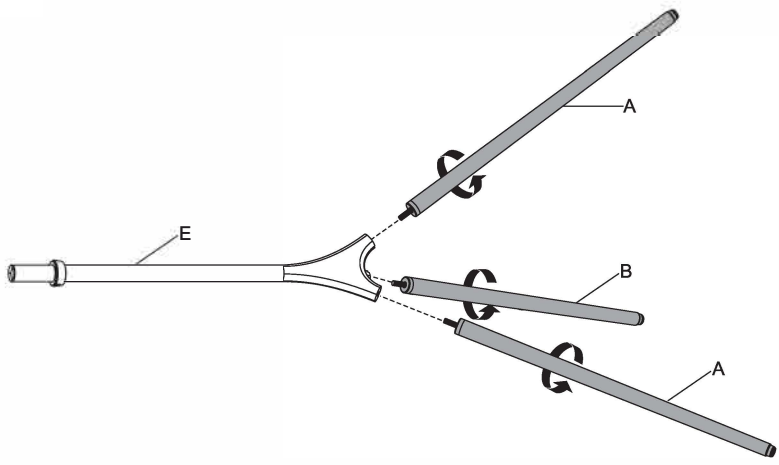
ARTTV65W



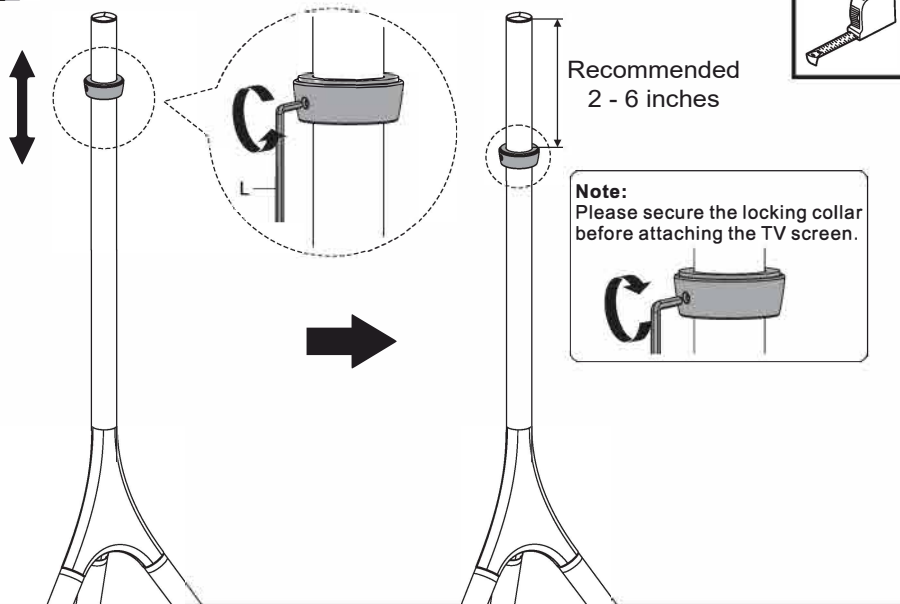


Please note that this product bears different weight load on glossy (such as wood) and normal floors (such as concrete).

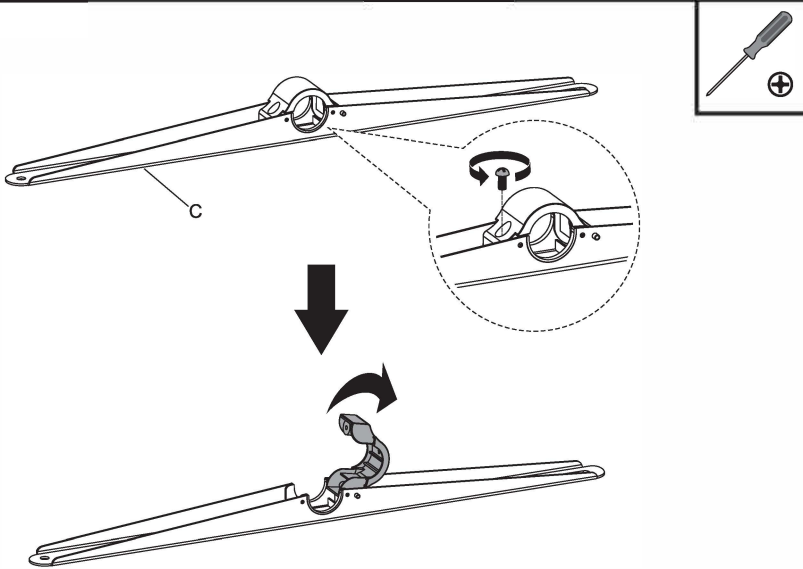
1



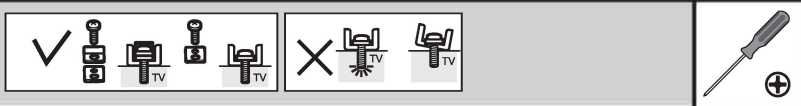
2



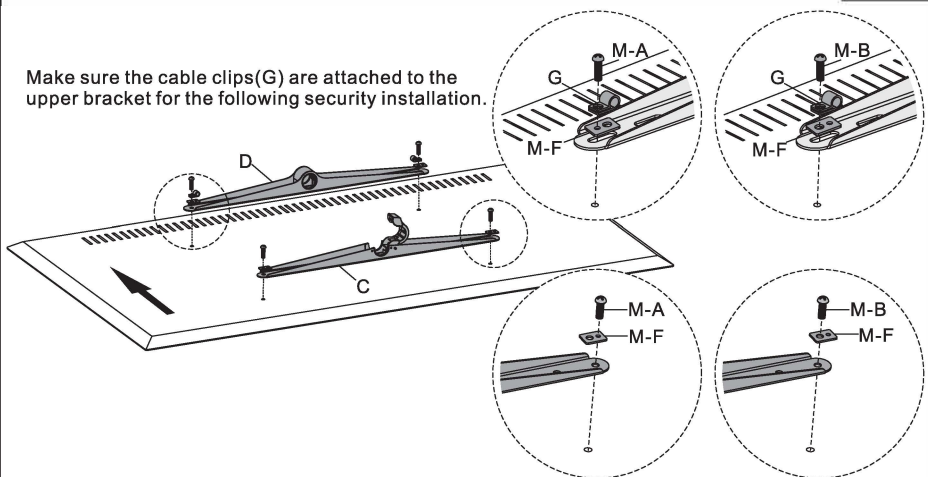
3



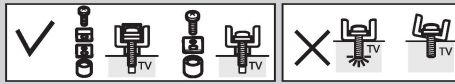
4a



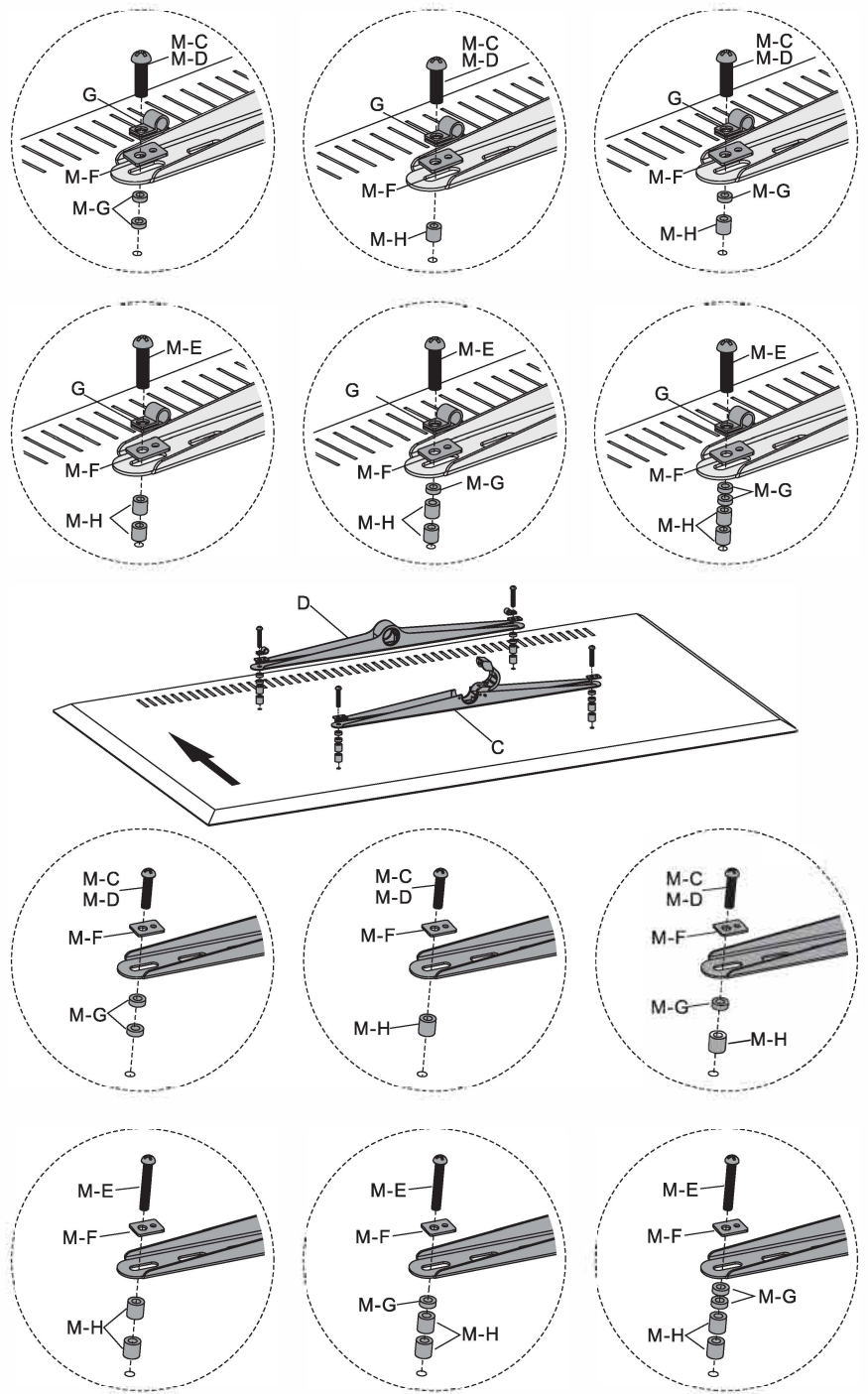
Make sure the cable clips (G) are attached to the upper bracket for the following security installation.



4b



Make sure the cable clips (G) are attached to the upper bracket for the following security installation.



5

